



# UX938

Retractable Clothesline

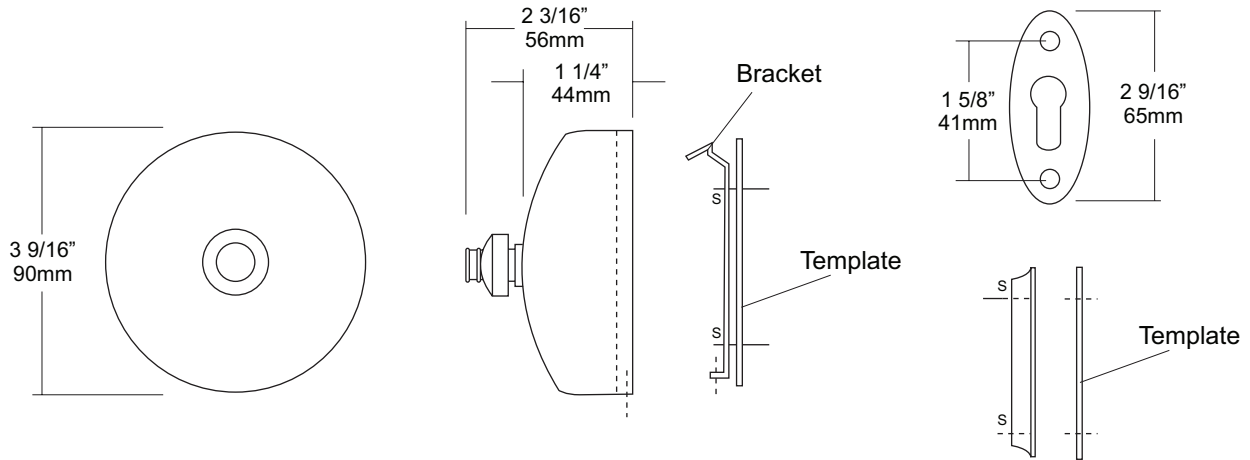
Revision 03/11

JOB #:

ITEM #:

QUANTITY:

MOUNTING	HANDING	TYPE	SIZE	OTHER



### SPECIFICATIONS

**Shell:** Fabricated of highly polished stainless steel. Mounting bracket and back plate are fabricated of heavy gauge stainless steel. Back plate is equipped with a spring actuated reel and vinyl cord that will extend 85' L. Locking knob on face of cover is chrome plated and acts as a securing point for clothes line.

**Overall Size:** 3 9/16"OD x 2 3/16"D  
89mm x 57mm

### INSTALLATION

Place templates for clothes line and mounting bracket on mounting surface at desired or specified location. Transfer mounting points and drill pilot holes. Secure units with proper fasteners for each application. (Fasteners not included) Clothes line has a maximum length of 85', secure mounting bracket to accommodate this distance.

### NOTES

Formerly Model #: U938