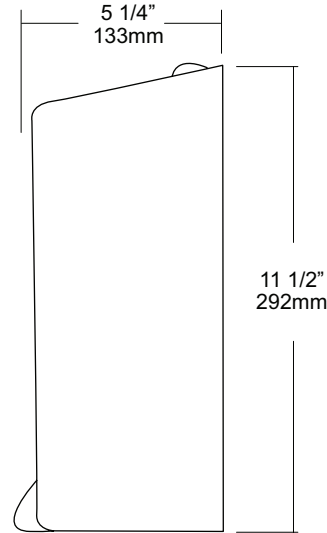
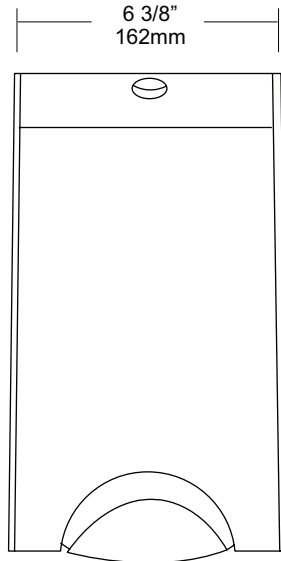


JOB #:

ITEM #:

QUANTITY:

MOUNTING	HANDING	TYPE	SIZE	OTHER



SPECIFICATIONS

Body: Fabricated of #22 gauge stainless steel with a #4 satin finish secured with a pin tumbler lock, keyed like all other AJW cabinets.

Internal Body / Tank: Fabricated of high impact plastic with a cover that pivots forward to load in front for easy servicing.

Dispensing Paddle: Push lever for easy one hand operation that requires less than 5 lbs of force to operate.

Valve: Unit is not equipped with a valve assembly. Each "Bag-in-a box" has it's own valve assembly.

Overall Size: 6 3/8"W x 11 1/2"H x 5 1/4"D
162mm x 292mm x 133mm

Capacity: One 500 ml or one 1000 ml bag-in-a-box

INSTALLATION

If mounting on wall surface, transfer mounting hole dimensions from mounting plate to mounting surface. Drill pilot holes and secure unit to surface with proper fasteners. Dispensing bar cannot be any higher than 40" above finished floor to comply with ADA code. Load bag of soap and place valve in location as noted. Close dispenser and test operation.

*It is not recommended to mount any soap dispenser on mirrors

Preventative Maintenance: Each dispenser should be flushed out aprx. Every 30 days with warm water to prevent valve from; clogging with old soap. Abrasive cleaners should not be used when wiping down dispenser.

NOTES

Formerly Model #: U105S