



U5704

Uni-Door Sanitary Napkin Disposal

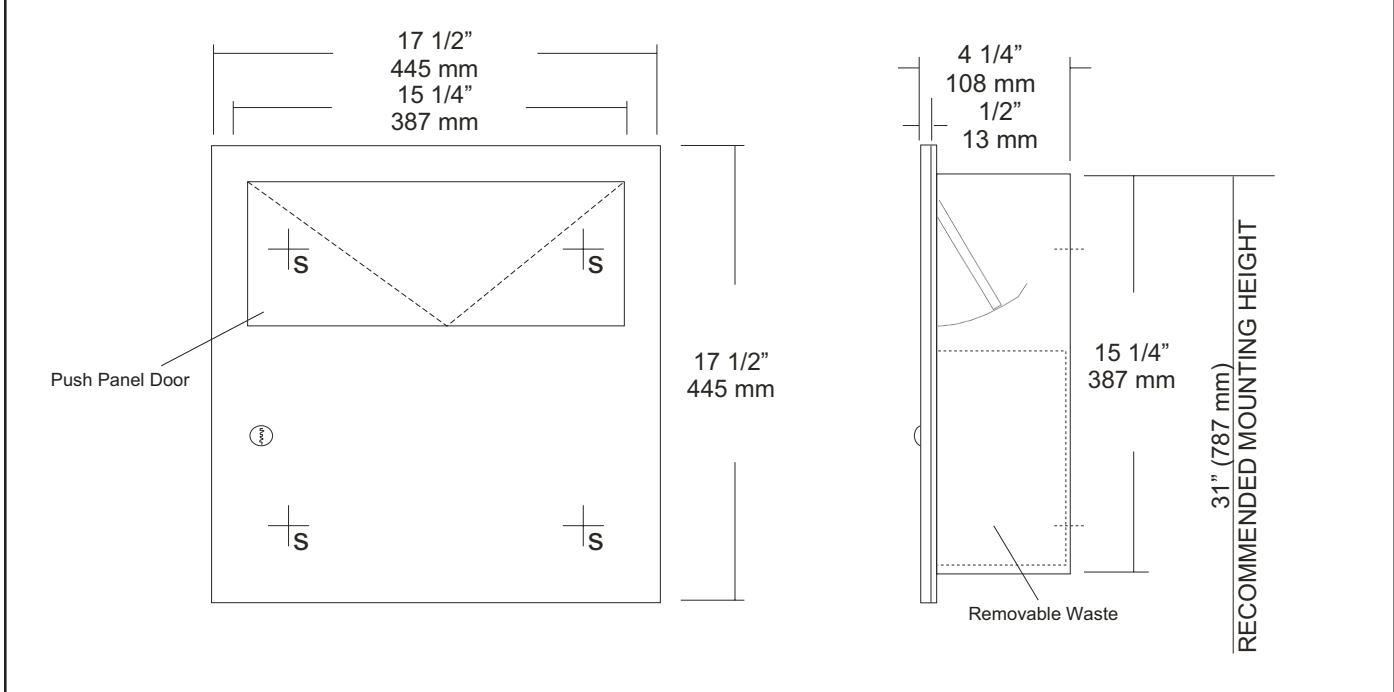
Revision 03/11

JOB #:

ITEM #:

QUANTITY:

MOUNTING	HANDING	TYPE	SIZE	OTHER



SPECIFICATIONS	INSTALLATION
----------------	--------------

Uni-Door: Fabricated of #18 gauge stainless steel with a #4 satin finish and 1/2" returns to wall surface.

Body: Fabricated of #22 gauge stainless steel.

Push Door: Self closing door is fabricated of #22 gauge stainless steel with a #4 satin finish.

Waste: Fabricated of #22 gauge stainless steel with hemmed edges and wire handle for easy removal.

Flange: Fabricated of #22 gauge stainless steel with a #4 satin finish and 1/4" return to wall with no visible seams or miters.

Hinges: Full length, stainless steel piano type hinges.

Locks: Pin tumbler commercial quality locks keyed like all other AJW accessories.

Collars: Fabricated of #22 gauge stainless steel with #4 satin finish to match cabinet body.

Overall Size: 17 1/2"W x 17 1/2"H x 4 1/4"D
438mm x 438mm x 108mm

Wall Opening: 15 3/4"W x 15 3/4"H x 4"D
400mm x 400mm x 102mm

Capacity: 2 Gallons (.26 cu ft)

U5704-S2: 2" semi-recessed collar with 2" (51mm) wall opening

U5704-SM: Surface Mounted

Recessed: Coordinate the wall opening with contractor/architect to avoid interference with pipes, vents, etc. Provide wall opening 15 3/4" w x 15 3/4" h. Remove waste and insert cabinet. If collar is required, slip collar over the back of cabinet before placing in opening. Drill pilot holes and secure cabinet with proper fasteners per application. Place waste can back into unit.

Surface: Place unit on wall surface and transfer mounting point location. Drill pilot holes and secure with proper fasteners per application.

NOTES