



# U5814

## Uni-Door Sanitary Napkin Disposal

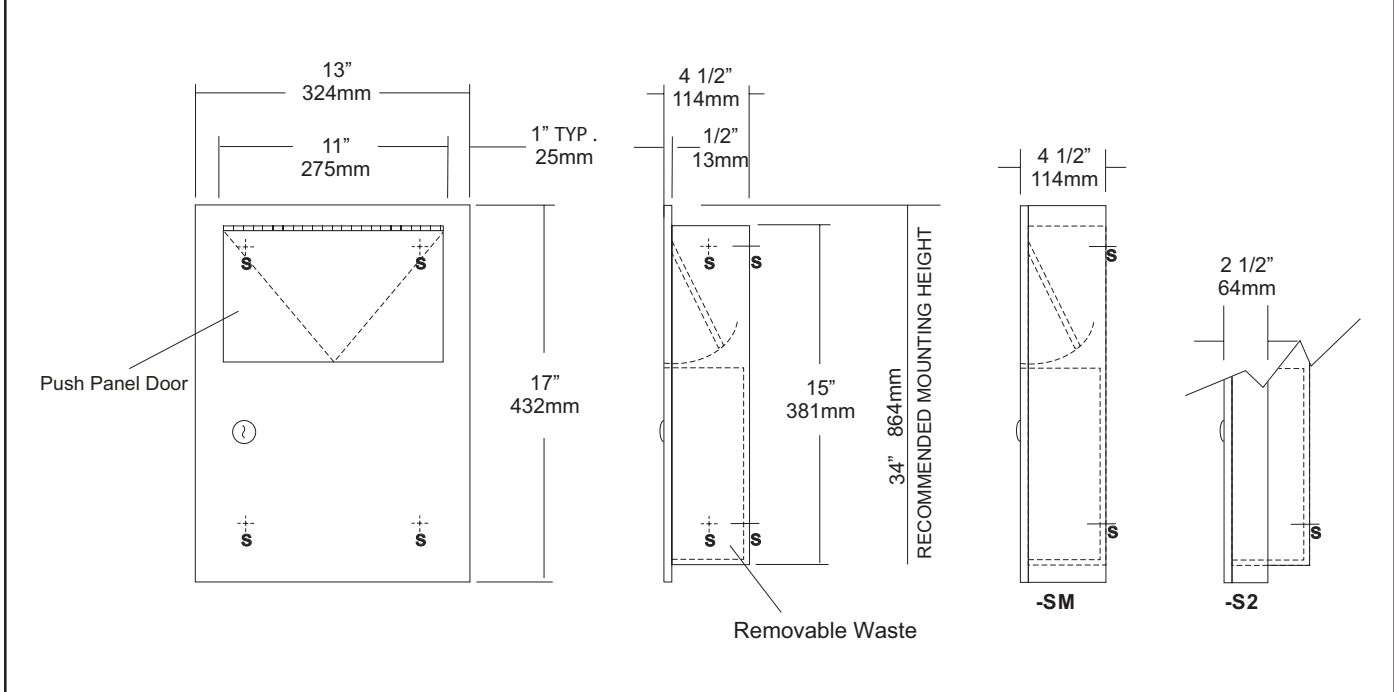
Revision 03/11

JOB #:

ITEM #:

QUANTITY:

MOUNTING	HANDING	TYPE	SIZE	OTHER



SPECIFICATIONS	INSTALLATION
----------------	--------------

**Body:** Fabricated of #22 ga stainless steel. Face trim is an integral part of the body with a #4 satin finish and 1/4" returns to wall surface for rigidity.

**Uni-Door:** Fabricated of #18 ga stainless steel with a #4 satin finish with 1/2" returns to wall for rigidity.

**Push Panel:** #22 ga stainless steel self closing push panel door.  
\*International Graphic Symbols are optional.

**Waste:** 1.5 gallon removable waste behind door.

**Locks:** Pin tumbler commercial quality locks, keyed like all other AJW cabinets.

**Hinges:** Full length, heavy duty, stainless steel hinge.

**Collars:** #22 ga stainless steel finished and sized to match cabinet.

**Overall Size:** 13"W x 17"H x 4 1/2"D  
330mm x 432mm x 114mm

**Wall Opening:** 11 1/2"W x 15 1/2"H x 4"D  
292mm x 394mm x 108mm

**Capacity:** 1.5 gallons (.2 cu ft)

**U5814-S2:** semi-recessed Disposal

**Wall Opening:** 11 1/2"W x 15 1/2"H x 2"D  
292mm x 394mm x 51mm

**C12174 :** Collar will convert recessed to surf mounted.

Coordinate installation with architect or contractor to avoid interference with pipes, vents, etc. Provide a rough wall opening 11 1/2"W x 15 1/2"H. Verify depth for either the recessed or semi-recessed model. Remove waste from cabinet and secure in opening with proper fasteners for each application making sure unit is level.

**NOTES**