



US7
Security Toilet Tissue Sleeve

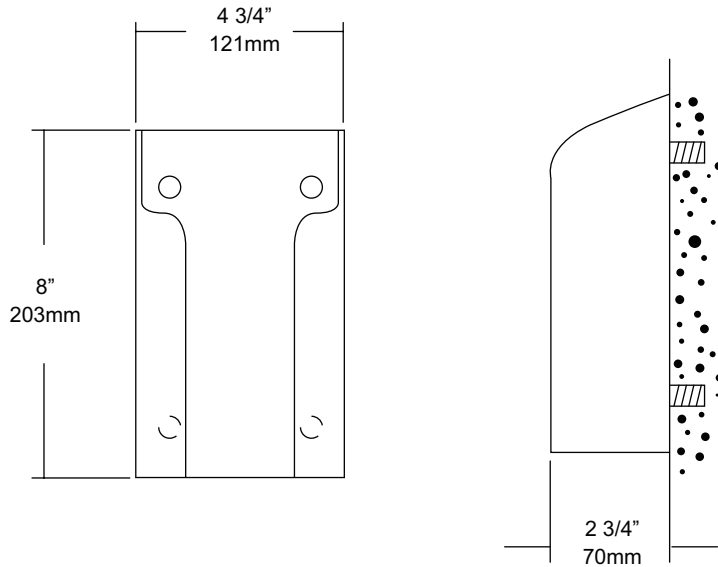
Revision 03/11

JOB #:

ITEM #:

QUANTITY:

MOUNTING	HANDING	TYPE	SIZE	OTHER



SPECIFICATIONS

Tissue Holder: Fabricated of #14 gauge stainless steel with exposed surfaces in architectural satin finish. Interior finish is satin glass blast finish. All welds and edges are ground smooth and corners are rounded. Unit is supplied with 1/4" -20 1"L torx-head screws for installation to wall anchors. Wall anchors are not included.

Overall Size: 4 3/4"W x 8"H x 2 3/4"D
121mm x 203mm x 70mm

Please note the width of the unit, when purchasing toilet tissue to be used in holder.

INSTALLATION

Place toilet tissue holder on wall surface and transfer mounting point locations. Drill pilot holes and secure with proper fasteners per each application. (Anchors not included)

Toilet Paper Dispensers: All dispensers that are to meet ADA code cannot have any type of controlled delivery. (4.16)

NOTES