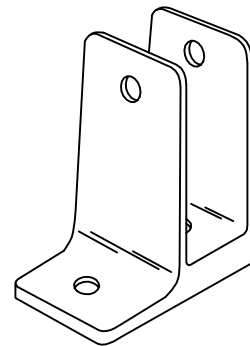
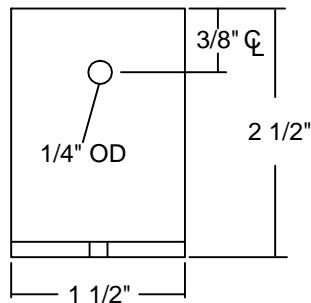
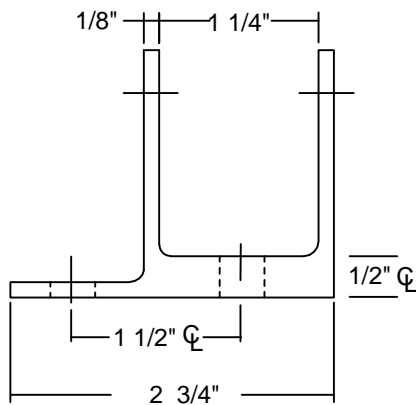
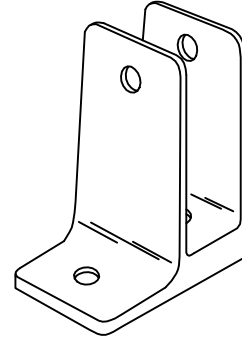
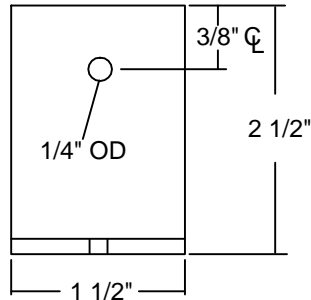
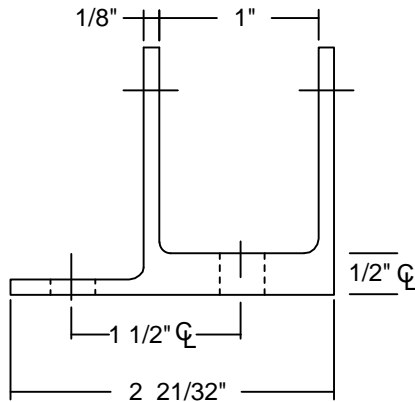
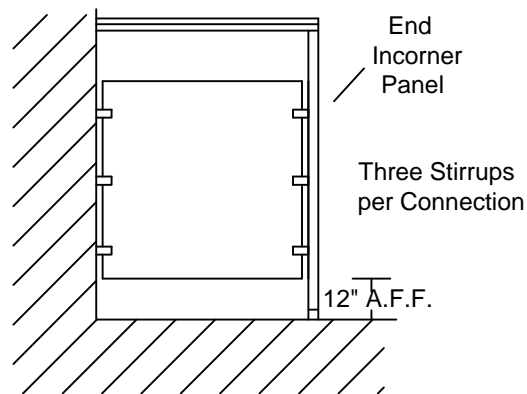


# Single Ear Chrome Plated Stirrup Bracket

Stainless Steel Partitions



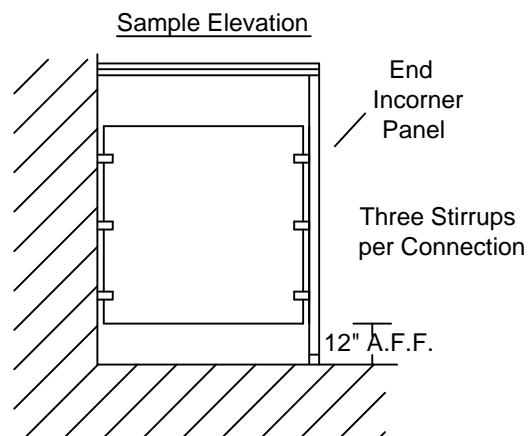
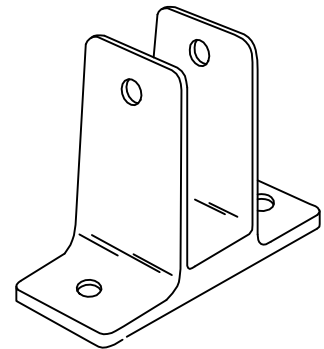
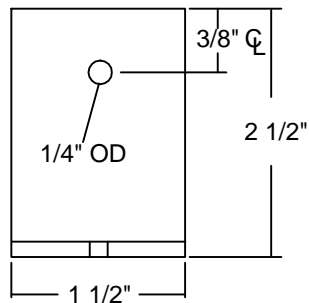
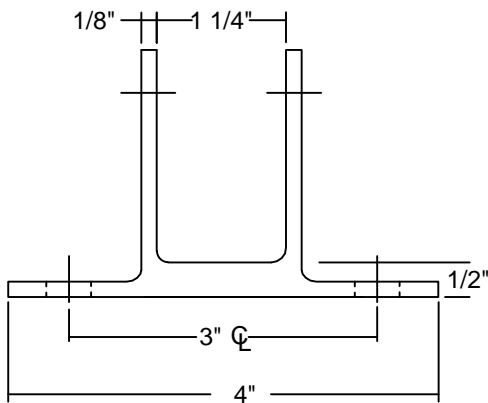
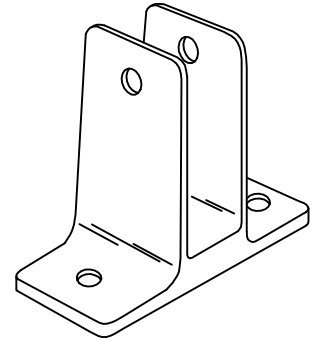
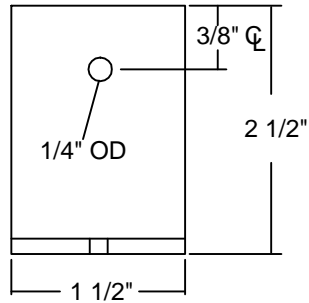
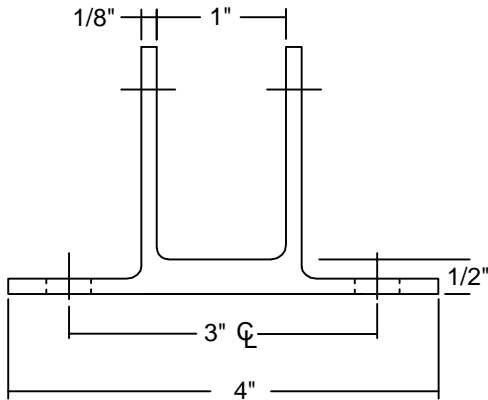
Sample Elevation



- **Material:** Chrome Plated Zamac.
- **Application:** 1" brackets for Wall-to-panel connections; and panel-to-pilaster connections. 1 1/4" brackets for wall-to-pilaster connections. Three per connection.
- **Fasteners required per component:** (2) 1 1/2" Torx screws **or** (2) 3/4" Torx screws; (1) male/female thru-bolt pair.

## Double Ear Chrome Plated Stirrup Bracket

Stainless Steel Partitions



- **Material:** Chrome Plated Zamac.
- **Application:** 1" brackets for Wall-to-panel connections; and panel-to-pilaster connections. 1 1/4" brackets for wall-to-pilaster connections. Three per connection.
- **Fasteners required per component:** (2) 1 1/2" Torx screws **or** (2) 3/4" Torx screws; (1) male/female thru-bolt pair.