



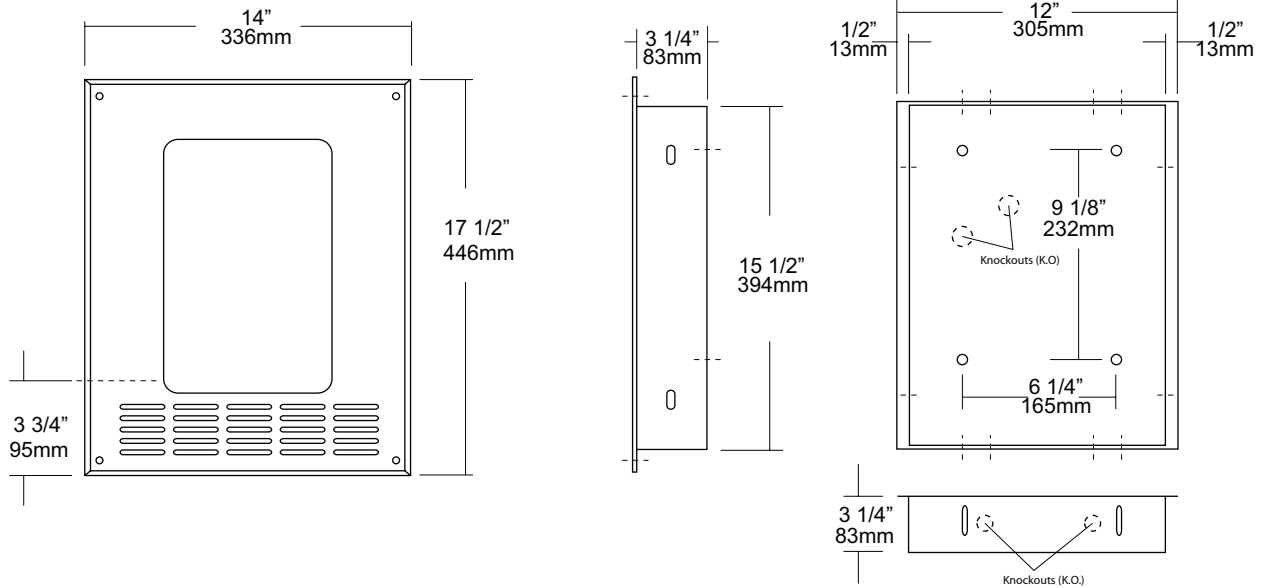
**U012**  
 Semi-Recessing Kit for U1512EA Hand  
 Dryer  
 Revision 03/11

JOB #:

ITEM #:

QUANTITY:

MOUNTING	HANDING	TYPE	SIZE	OTHER



**SPECIFICATIONS**

This semi-recessing kit will convert a surface mounted hand / dryer to semi-recessed to comply with 4" projection for ADA code. Surface mounted dryer can be converted to semi-recessed with the use of this kit.

**Semi-recessing kit:** (U012) #20 gauge cover plate with louvers. Galvanized recessed box that dryer base is mounted on allows semi-recessing with maximum projection of 4" to comply with code. Face plate is powder coated white to match dryer.

**Overall Size:**

**Face Plate:** 14"W x 17 1/2"H

**Recessing Box:** 11 1/4"W x 15 3/4"x 3 1/2"D

**INSTALLATION**

Coordinate installation with architect, contractor and licensed electrician. Provide wall opening per 11 1/4"W x 15 3/4"H x 3 1/2"D (max). Remove vinyl from face plate and install over dryer cover. Face plate provides air flow through louvers and a finished appearance.

**NOTES**

Formerly Model #: U012A