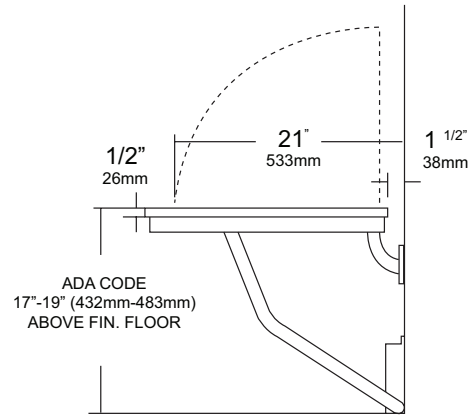
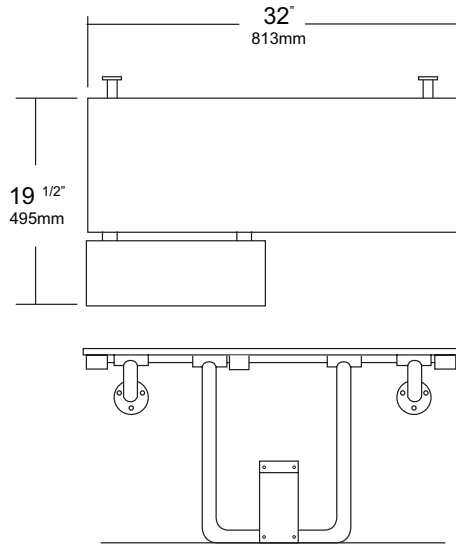




# U925 (U925-SS) SHOWER SEAT RETRACTABLE

Job #:
Item #:
Quantity:

MOUNTING	HANDING	TYPE	SIZE	OTHER



## SPECIFICATIONS

**Seat:** Seat is fabricated of type 304 #18 gauge #4 satin finish stainless steel slats welded to frame. All leading edges on slats have a radius edge for safety.

**Tubing:** Type 304 #18 gauge stainless steel with a #4 satin finish.

**Main Frame:** 1 1/4" square tubing with capped ends. Underside has no exposed fasteners.

**Flanges:** type 304 #18 gauge stainless steel with four (4) exposed mounting points. Under slung supports have a 1 1/4"Ø.

**Leg Support:** Type 304 #18 gauge stainless steel one piece construction.

**Mounting Bracket:** Type 304 #14 gauge stainless steel "hat" style bracket with four (4) mounting points. Bracket acts as a guide to raise and lower platform. For maximum support bracket should be mounted on finished floor to except load transfer.

**U925-RH:** Right Handed: \_\_ \_

**U925-LH:** Left Handed: \_\_ \_

**Overall Size:** 32"W x 19 1/2"D (Seating Area) (813mm x 495 mm)

## INSTALLATION

To comply with ADA code, seat should be mounted at a height where the seating location should be at a height of 17" - 19" above finished floor. Check all State and Local code for building requirements. Recommend in wall mounting on all shower seats (BP10) for maximum strength. Place seat up against wall surface making sure seat is at the proper mounting height level. Transfer all mounting point locations and drill pilot holes. Secure seat with proper fasteners for each application. (Fasteners not provided, must be ordered separate) Snugly secure seat and check seat to be level and the raising and lowering of the seat does not bind. When all checks good, finish securing fasteners. When properly mounted seat will support over 500 lbs. To conform with ADA code 4.21.3 and 4.26.3

## NOTES

