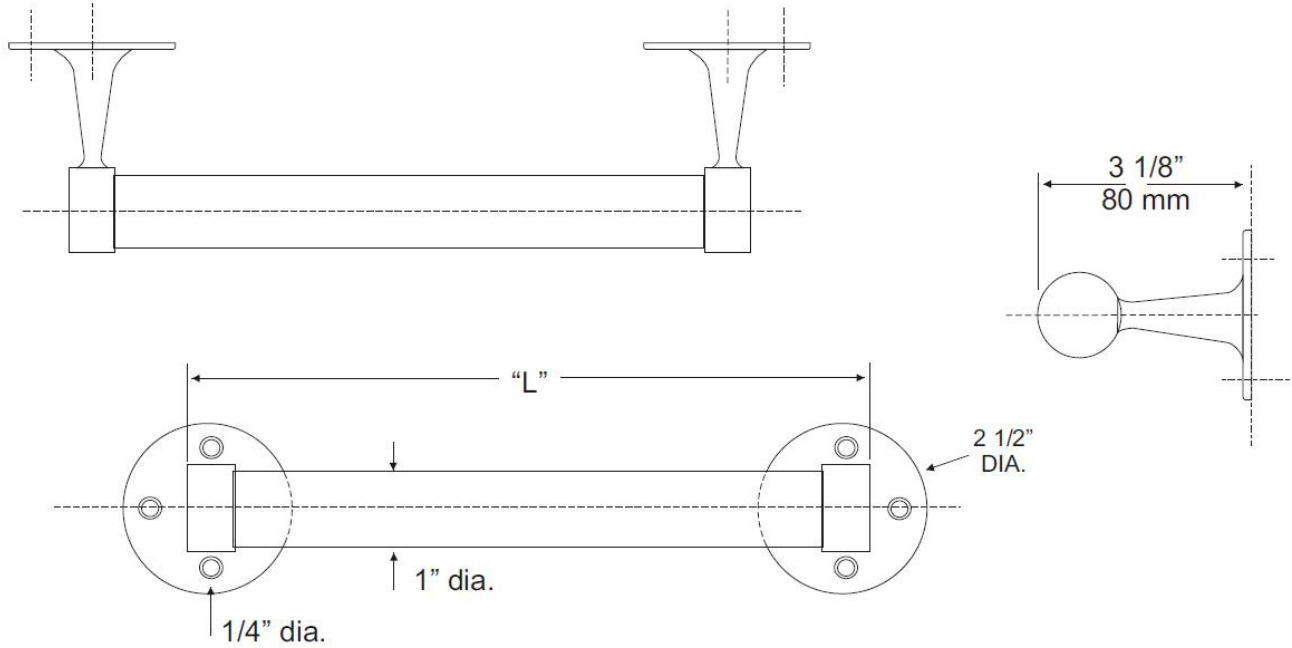




UB32 (UBK6000)
TOWEL BAR SURFACE MOUNTED

Job #:
Item #:
Quantity:

MOUNTING	HANDING	TYPE	SIZE	OTHER



SPECIFICATIONS

Posts: Fabricated of solid forged brass finished with a chrome plated bright finish. Mounting flange is equipped with three countersunk mounting points. (1/4" Dia.)

Bar: Fabricated of type 304 #18 ga stainless steel with a bright finish. Diameter of bar is 1" (26mm) Length of bars available are: 18"(457mm), 24"(610mm) & 30"(762mm)

Verify Size:

UB32-18 _____ Qty: _____

UB32-24 _____ Qty: _____

UB32-30 _____ Qty: _____

Satin Finish:

UB32-18-SF _____ Qty: _____

UB32-24-SF _____ Qty: _____

UB32-30-SF _____ Qty: _____

INSTALLATION

Place towel bar inside the post ends and hold up to mounting surface. Making sure unit is level, transfer mounting points from each flange and drill pilot holes. Secure one to mounting surface with proper fasteners per application. Insert bar into mounted post and slide other post over bar. Holding post against wall, secure flange to wall.

NOTES