



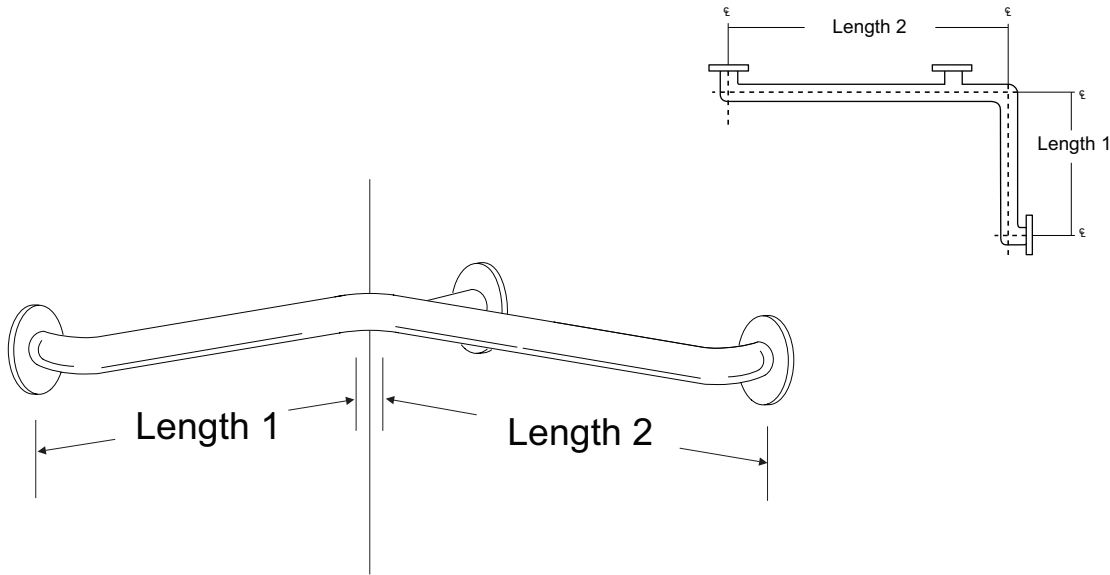
# UG-G Grab Bar

Job #:

Item #:

Quantity:

MOUNTING	HANDING	TYPE	SIZE	OTHER



## SPECIFICATIONS & INSTALLATION

### Flanges Available:

**Exposed Flange:** Fabricated of 3" diameter, type 304 #11 ga stainless steel with #4 satin finish to match tubing. Flanges are heliarc welded to bar to form a one piece construction. Each flange has three (3) mounting points (1/4" dia.)

**Set Screw Flange:** Flanges are fabricated of 3" diameter, 1/2" drawn type 304 #11 ga stainless steel with #4 satin finish to match tubing. Flanges are heliarc welded to bar to form a one piece construction. Each flange is secured to concealed mounting plate with four (4) 1/4"-20 stainless steel tamper resistant set screws.

**Snap Flange:** Snap flanges are fabricated of 3" diameter, 3/8" deep drawn type 304 #22 ga stainless steel with #4 satin finish to match tubing. Flanges have dimples that secure over mounting plate.

**Strength:** Bars with a projection no more than 5" off finished wall will sustain loads in excess of 900 lbs. When properly mounted. Bars with more than 5" projection will sustain a load of 250 lbs for 5 minutes when properly mounted.

**Tubing:** Fabricated of type 304 #18 ga stainless steel with a #4 satin finish. Available in 1", 1 1/4" and 1 1/2" outside diameter. All bends are formed by an automatic mandrel bending process. All bars maintain a constant 1 1/2" offset.

**Finish:** Standard finish is a #4 satin finish. For a non-slip finish (peened) add suffix X to model number. (Ex. UG2X-A)

**Installation:** Before installing grab bars, verify with all state and local codes for requirements on bar diameter and type finish. Recommended mounting heights for grab bars are 33" - 36" centerline above finished floor. All mounting of grab bars when possible should have in wall mounting back plates. Find centerline mounting points and place bar on line making sure to be on center. Drill pilot holes and secure bar with proper anchors per application

## FLANGE OPTIONS

