

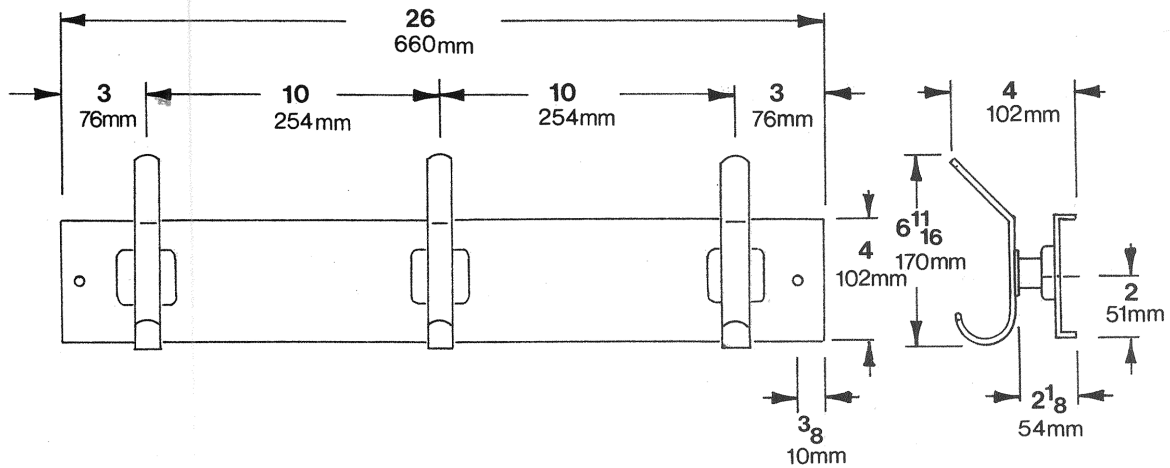
UJ11 HAT & COAT HOOK STRIP

Job #:

Item #:

Quantity:

MOUNTING	HANDING	TYPE	SIZE	OTHER



SPECIFICATIONS

Hook Strip: Type 304 #18 ga stainless steel with a #4 satin finish.
Hooks: Fabricated of type 304 #14 gauge stainless steel with a #4 satin finish. Hook has two (2) exposed mounting points. Top and bottom leading edges rounded to form a radius for safety.

Verify Style:

- UJ11A:** 24" L (610mm) with 3 hooks.
- UJ11B:** 36" L (914mm) with 4 hooks.
- UJ11C:** 46" L (1168mm) with 5 hooks.

INSTALLATION

Place unit to wall surface making sure unit is level and transfer mounting points. Drill pilot holes and secure unit with proper fasteners per application.

NOTES