

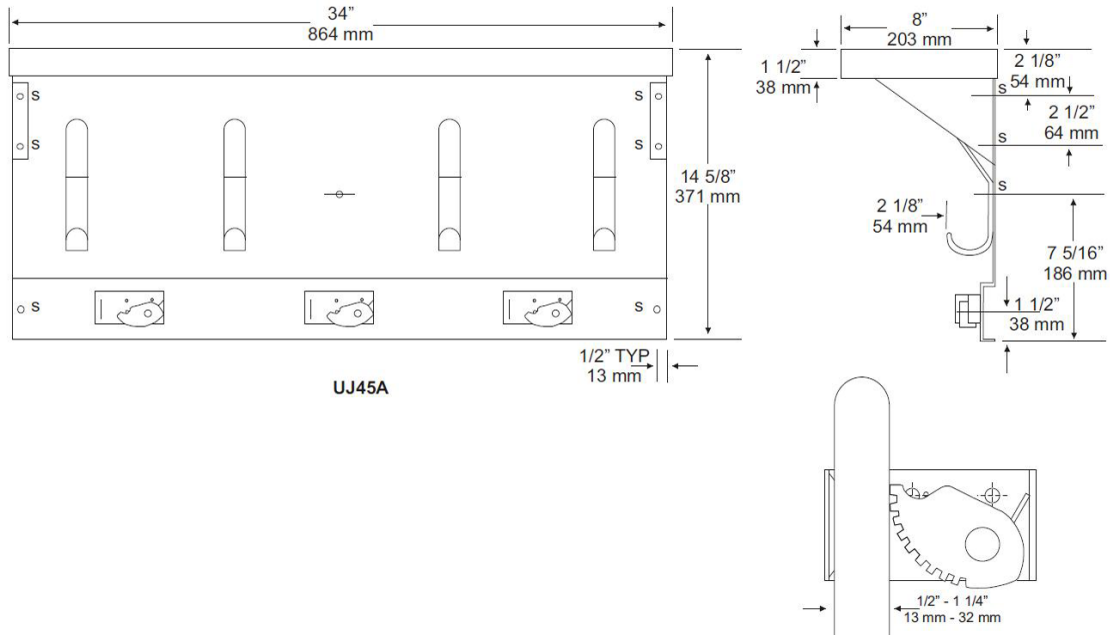


# UJ45A

## MOP HOLDER WITH UTILITY SHELF

Job #:
Item #:
Quantity:

MOUNTING	HANDING	TYPE	SIZE	OTHER



UJ45A

### SPECIFICATIONS

**Shelf:** Type 304 #18 ga stainless steel with a #4 satin finish, 8" deep (203mm) bent down 1 1/2" with 1/2" returns back for rigidity and safety.

**Back:** Type 304 #18 ga stainless steel, #4 satin finish. Lower portion has a formed channel for added rigidity to support the mop holders.

**Mop Holders:** UJ19 plated reinforced steel with serrated cam type hard rubber mop or broom holder. Holds handles 1/2" to 1 1/4" diameter.

**Hooks:** Type 304 #14 ga stainless steel.

**Mounting Brackets:** Type 304 #16 ga stainless steel with exposed mounting points.

**Verify Style:**

- UJ45A: 34"L (864mm) with 3 holders, 4 hooks.
- UJ45B: 44"L (1118mm) with 4 holders, 5 hooks.
- UJ45C: 54"L (1372mm) with 5 holders, 6 hooks.

### INSTALLATION

**Place unit to wall surface making sure unit is level and transfer mounting points. Drill pilot holes and secure unit with proper fasteners per application.**

### NOTES