



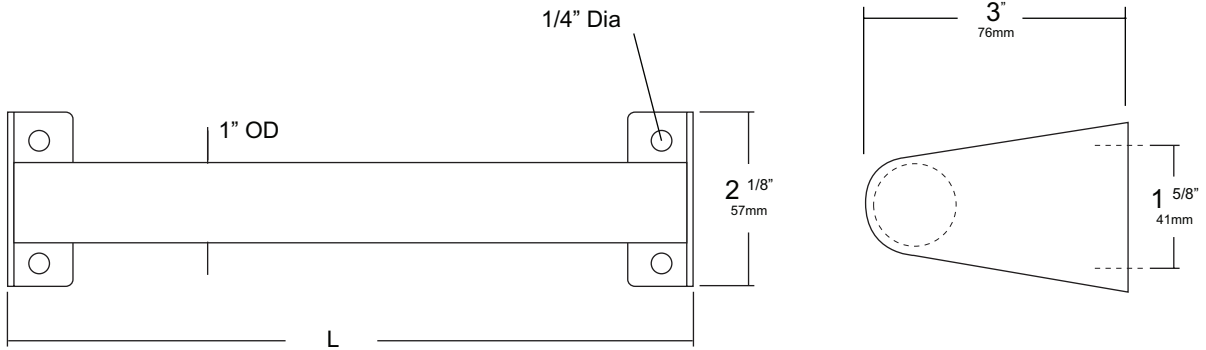
**US23-18**  
TOWEL BAR

Job #:

Item #:

Quantity:

MOUNTING	HANDING	TYPE	SIZE	OTHER



**SPECIFICATIONS**

**Tubing:** Tubing is fabricated of type 304 #18 gauge stainless steel with a #4 satin finish. Outside diameter of bar is 1" (25mm) and is heliarc welded to mounting brackets.

**Mounting Brackets:** Brackets are fabricated of type 304 #11 gauge stainless steel with a #4 satin finish to match bar. Each bracket has two exposed mounting points (3/16" OD) for securing to wall surface.

**Note:** Fasteners are not supplied with unit.

**Overall Size:** 2"H x 3"D

**51mm x 76mm**

**Bar Length Available:**

12": \_\_\_\_\_

18": \_\_\_\_\_

24": \_\_\_\_\_

**INSTALLATION**

**Place towel bar on wall surface making sure unit is level, transfer mounting point locations. Drill pilot holes and secure with proper fasteners per each application. (Fasteners not included)**

**NOTES**