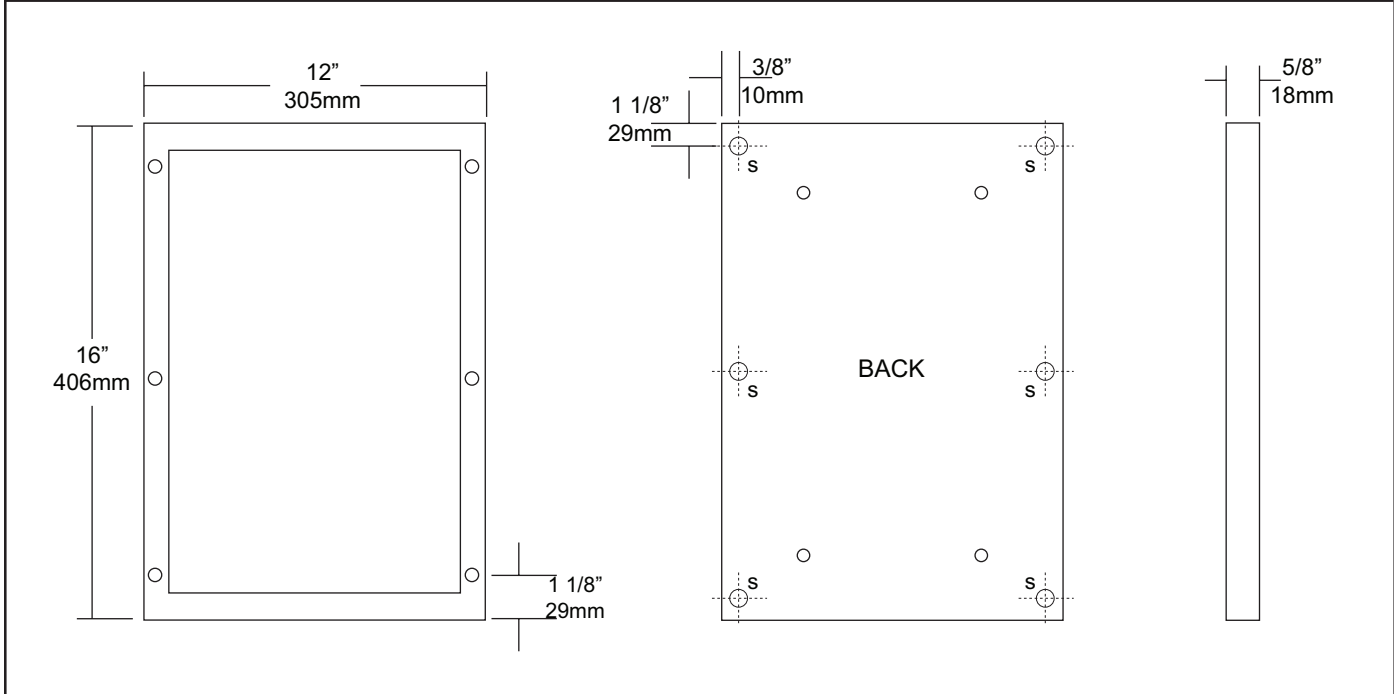


JOB #:

ITEM #:

QUANTITY:

MOUNTING	HANDING	TYPE	SIZE	OTHER



SPECIFICATIONS	INSTALLATION
----------------	--------------

Frame: Fabricated of #14 gauge stainless steel with a #4 satin finish, (1 1/4" x 5/8") Welded construction with polished edges without miters, Frame is equipped with exposed mounting points.

Mirror: #8B bright polished stainless steel.

Back: One piece stainless steel back,

US7138B: Security Exposed Mounted Angle Frame Mirror.

Overall Size: 12"W x 16"H 305mm x 405mm

US713T: Same as US7138B with Tempered Glass in lieu of reflective stainless steel.

Overall Size: 12"W x 16"H
305mm x 405mm

Standard size is 12"W x 16"H. Other sizes are available on request.

US713PM: Same as US7138B with "Plastic "Acrylic" in lieu of stainless steel.

Coordinate mirror installation with architect and contractor to avoid pipes, vents, wires, etc. in wall. Transfer mounting points to wall surface. Transfer mounting point location to wall surface and drill pilot holes. Secure mirror with proper fasteners per application. Fasteners are not supplied by manufacturer.

NOTES

Formerly Model #: US7011P Series