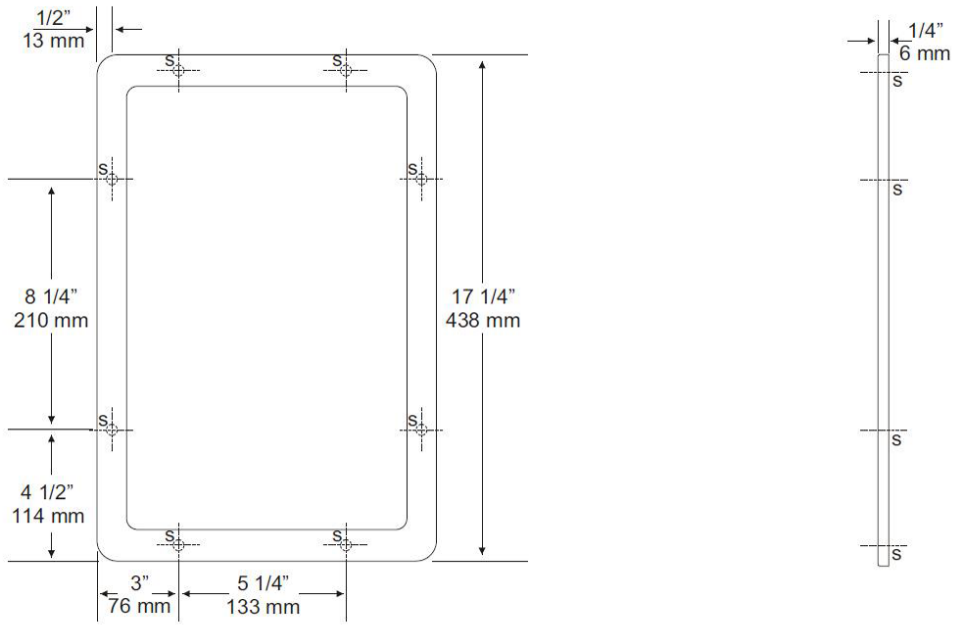


Job #:

Item #:

Quantity:

MOUNTING	HANDING	TYPE	SIZE	OTHER



SPECIFICATIONS **INSTALLATION**

Security mirror with integral frame is fabricated of type 304 #18 ga stainless steel polished to a #8B finish. All exposed mounting points locations are countersunk. One piece design provides a rigid security mirror that has the appearance of a framed mirror.

US7408B:
Overall Size: 11 1/4"W x 17 1/4"H x 1/4"D
286mm x 438mm x 6mm

Place mirror on wall surface at desired or specified location. Making sure unit is level, transfer all mounting points to mounting surface. Drill pilot holes. Remove all white vinyl protective coating and secure with proper fasteners per application.

NOTES