



UX196-BF
Facial Tissue Dispenser

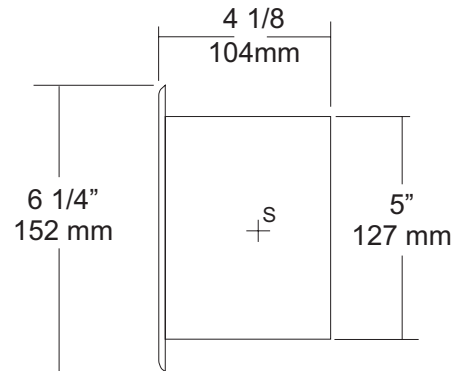
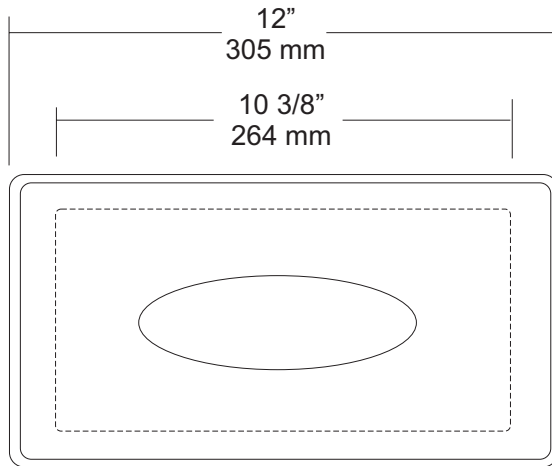
Revision 08/13

JOB #:

ITEM #:

QUANTITY:

| MOUNTING | HANDING | TYPE | SIZE | OTHER |
|----------|---------|------|------|-------|
| | | | | |



SPECIFICATIONS

Face Plate: Fabricated of #22 ga stainless steel #4 satin finish. Face plates have flared edges and snaps firmly into wall housing. Die stamped dispensing area has hemmed edges to prevent injury and tissue tearing.

Wall Housing: One piece construction pre-plated steel.

Overall Size: 12"W x 6 1/4"H

305mm x 152mm

Wall Opening: 10 3/4"W x 5 1/4"H

273mm x 133mm

UX196-BF: Same as UX196-SF with bright finish.

INSTALLATION

Provide a wall opening 10 3/4"W x 5 1/4"H at desired or specified location. Coordinate installation with architect or contractor to avoid interference with pipes, vent, etc. See chart for proper wall depth required. Remove face plate and insert in wall opening. Make sure unit will be level and plumb. Secure with proper fasteners per application. Fill with proper size tissue box and snap on face plate.

NOTES

Formerly Model #: U196