



UX2H

Flange & Shower Rod

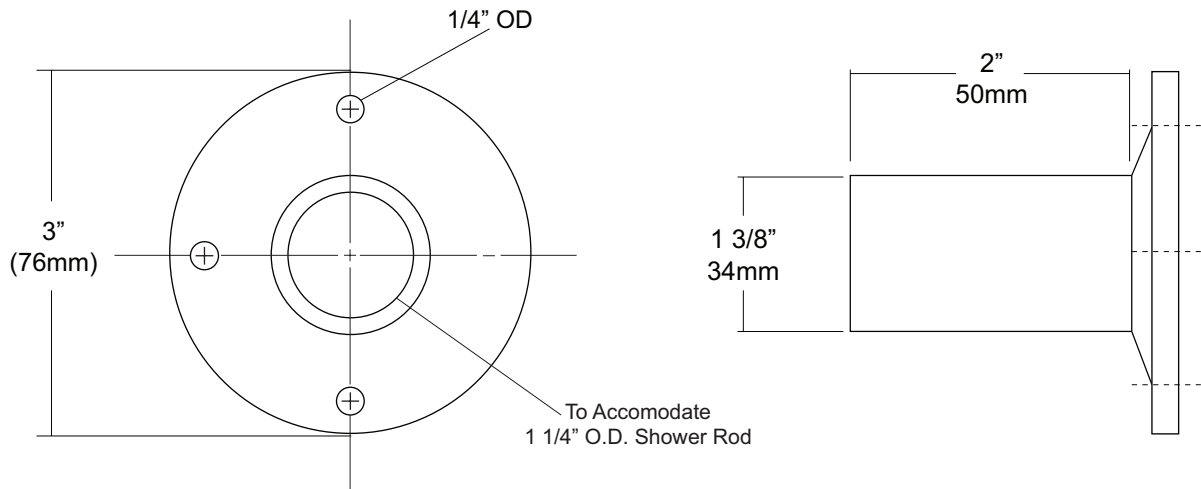
Revision 01/12

JOB #:

ITEM #:

QUANTITY:

MOUNTING	HANDING	TYPE	SIZE	OTHER



SPECIFICATIONS

Exposed Flange: Fabricated of #22 gauge stainless steel with a #4 satin finish. Cover has three (3) exposed mounting points.
Shower Rod: Fabricated of 18 gauge stainless steel with a #4 satin finish.
UX2: 1 1/4" outside diameter

INSTALLATION

Provide an area on wall surface at desired or specified location. Hold flange to wall surface and transfer mounting points. Drill pilot holes. Place flanges on the ends of the rods. Secure flanges to wall surface with proper fasteners per application.

NOTES