



UX61-BF

Soap Dish

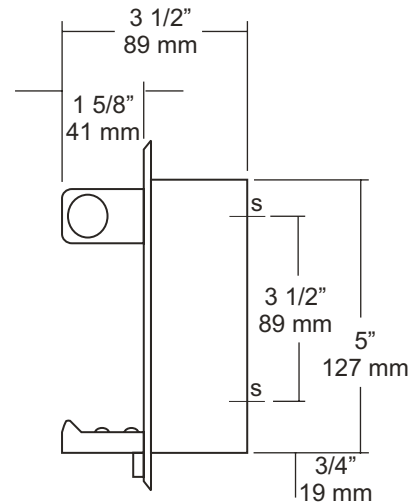
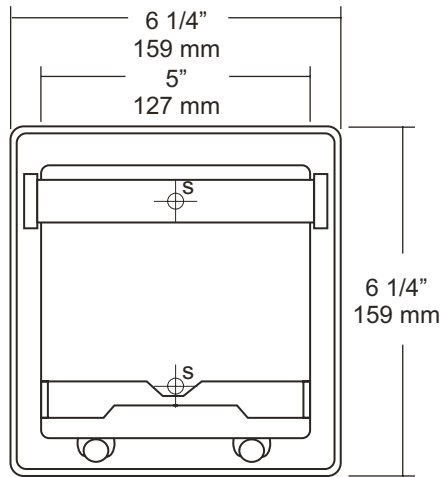
Revision 03/11

JOB #:

ITEM #:

QUANTITY:

MOUNTING	HANDING	TYPE	SIZE	OTHER



SPECIFICATIONS

Shell: Drawn one piece construction fabricated of #22 gauge stainless steel with a bright finish. Two mounting points allow unit to be secured to mounting clamps or framing in wall opening.

Soap Holder: Fabricated of high impact clear ABS material that snaps in place on two exposed pins on the front face of the unit.

Bar Supports: Fabricated of heavy duty cast Zamac with a bright chrome finish with a 3/4" OD stainless steel bar to support wash cloths.

Bar is not designed to support a person's weight.

Overall Size: 6 1/4"W x 6 1/4"H x 3 1/2"D

165mm x 165mm x 89mm

Wall Opening: 5 1/4"W x 5 1/4"H x 2"D

133mm x 133mm x 51mm

INSTALLATION

Provide a wall opening at desired or specified area and coordinate with contractor or architect to avoid interference with pipes, vents, etc. Secure unit in wall opening with proper fasteners and/or clamps required per each application.

Mounting Clamps:

"A" Clamp: Applicable where backing or framing is not available. Used on existing walls.

"B" Clamp: Conventional type clamp, secured to back side of front wall.

NOTES