

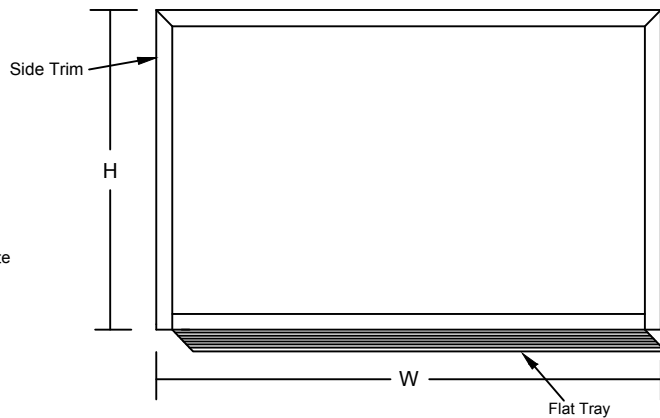
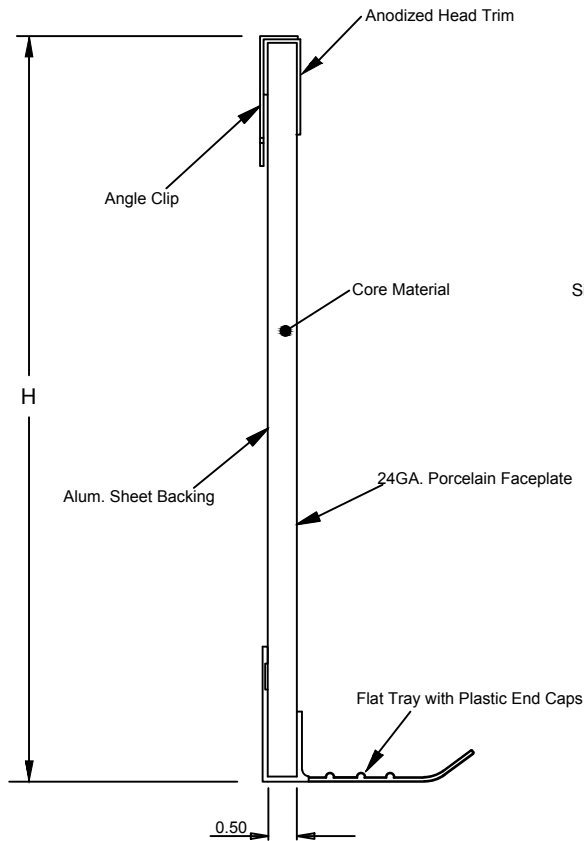


N1F3-0 Series
 Markerboard, Padboard Core,
 Wide Trim, Flat Tray, No Maprail

Job #:

Item #:

Quantity #:



Standard Widths: 4', 6', 8', 10', 12', 14', 16'
 Standard Height: 4'

Custom Dimensions available on request

All boards sized Height x Width

Drawing is for assembly description only.
 Components are not to scale for clarity purposes.

Facesheet: 24 GA. Porcelain Enamelled Steel - Medium Gloss.

Core: 1/2" Hardboard.

Backsheet: Aluminum Foil.

Trim: 1 1/4" Wide Flat Trim - Anodized Aluminum.

Tray: Flat Tray - Anodized Aluminum.

Maprail: None.

Tackable Maprail Insert: N/A.

Accessories: N/A.

• All aluminum extrusions have a minimum thickness of 0.062"