

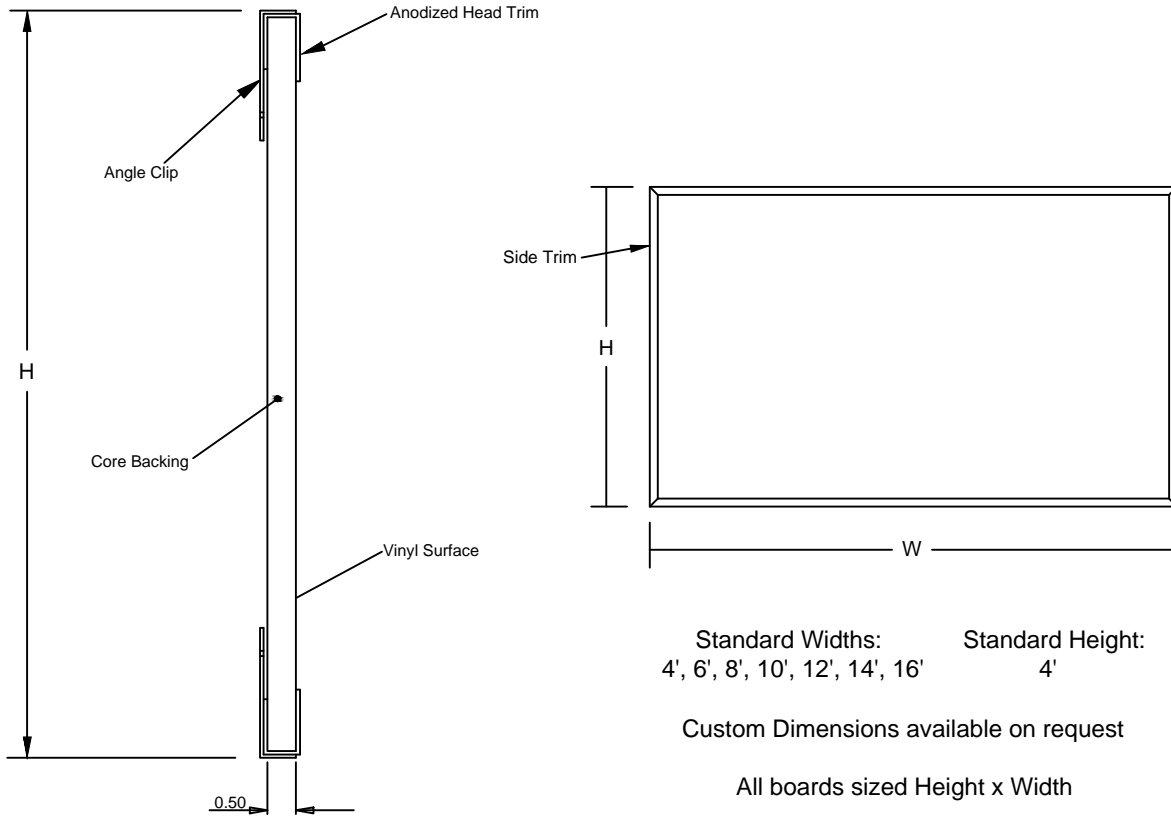


N23F-0B Series
 Tackboard, 1/2" Fiberboard Core,
 Flat Trim, No Tray, No Maprail,
 Type II Vinyl

Job #:

Item #:

Quantity #:



Standard Widths: 4', 6', 8', 10', 12', 14', 16'
 Standard Height: 4'

Custom Dimensions available on request

All boards sized Height x Width

Drawing is for assembly description only.
 Components are not to scale for clarity purposes.

- Core Backing:** 1/2" Fiberboard.
- Tackable Surface:** Vinyl-Type II on 1/2" Fiberboard.
- Trim:** 3/4" Flat Trim - Anodized Aluminum.
- Tray:** None.
- Maprail:** None.
- Tackable Maprail Insert:** N/A.

• All aluminum extrusions have a minimum thickness of 0.062"