

date  
projectname  
attn  
from  
fax  
email  
phone

4/20/17  
GWCU  
Me



# UJ31 Series

Hook Strip with Shelf Combination Unit

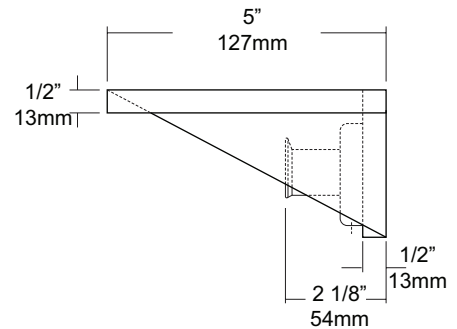
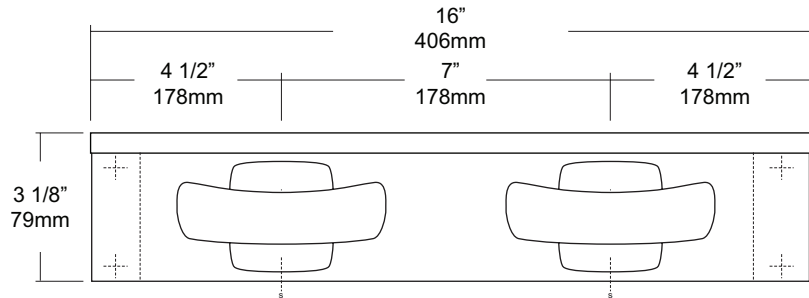
Revision 03/11

JOB #:

ITEM #:

QUANTITY:

MOUNTING	HANDING	TYPE	SIZE	OTHER



## SPECIFICATIONS      INSTALLATION

**Shelf:** Fabricated of #18 ga stainless steel with a #4 satin finish, 5" deep (127mm) bent down 1 1/2" with 1/2" returns back for rigidity and safety.

**Hook Strip:** #18 gauge stainless steel satin finish.

**Mounting Brackets:** #16 ga stainless steel with exposed mounting points.

**Hooks:** Satin finish UX112-SF hooks stainless steel dual hooks.

**Verify Style:**

**UJ31A:** 16"L (406mm), 2 hooks.

**UJ31B:** 26"L (660mm), 3 hooks.

**UJ31C:** 36"L (914mm), 4 hooks.

Place unit to wall surface making sure unit is level and transfer mounting points. Drill pilot holes and secure unit with proper fasteners per application.

## NOTES