

date
projectname
attn
from
fax
email
phone

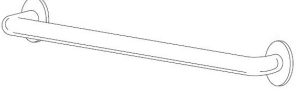
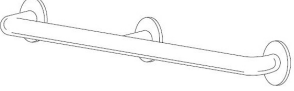
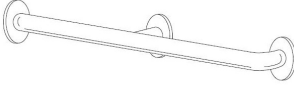
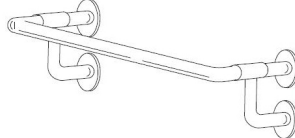
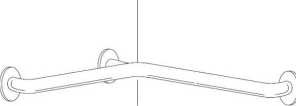
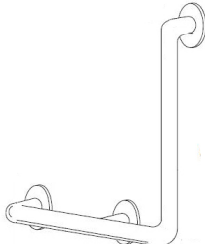
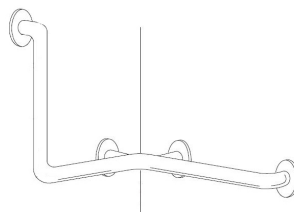
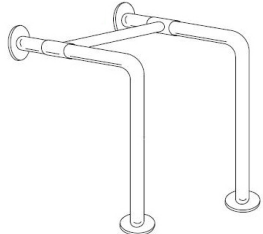
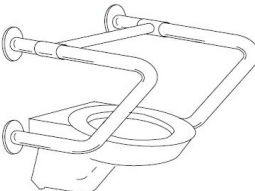
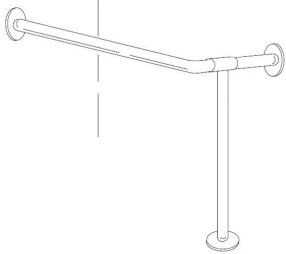
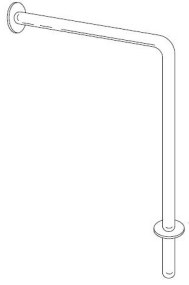
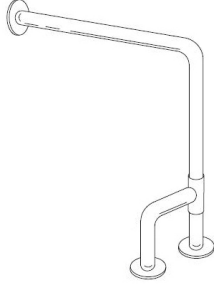
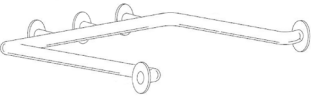
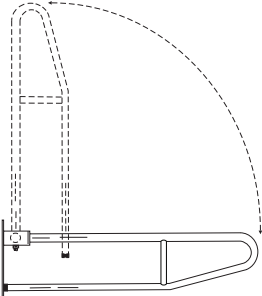
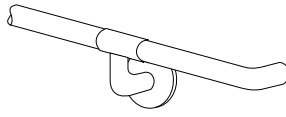
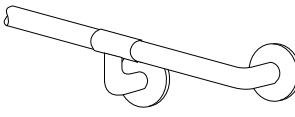
k
jnkj
nkj
nkj
nkj
bas@crizit.com
nkj

CONFIGURATIONS
 Grab Bars

Job #:

Item #:

Quantity:

			
A	B	C	F
			
G	K	L	N
			
O	Q	R	S
			
V	U	Y	Z

*When measuring and ordering grab bars, remember bars are sized centerline to centerline.

*Grab Bars comply with ADA Code 4.26.2

*Non-chloric and non-abrasive cleaners should be used to clean surface of bars and flanges.

*Custom sizes available upon request