



# UX81-BF

Soap Dish

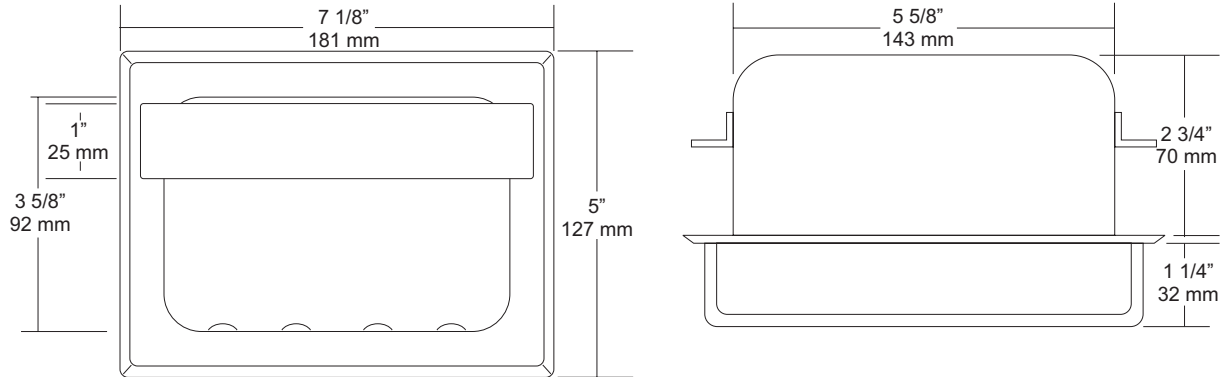
Revision 03/11

JOB #:

ITEM #:

QUANTITY:

MOUNTING	HANDING	TYPE	SIZE	OTHER



### SPECIFICATIONS

**Soap Dish Shell:** Fabricated of one piece stamped construction of #18 gauge stainless steel. Standard soap dish has a bright finish outer flange that has a beveled edge. Concealed side mounting clamps are provided for mortar.

**Soap Tray:** Internal part of shell where the soap rests on has stamped dimples to allow airflow under soap to prevent soap from sticking to dish.

**Bar:** Fabricated of bright stainless steel 3/16" thick.

**Overall Size:** 7 1/8"W x 5"H x 4"D

**181mm x 127mm x 102mm**

**Wall Opening:** 5 5/8"W x 3 3/4"H x 3"D

**142mm x 95mm x 76mm**

**UX81-SF:** Same as UX81-BF with satin finish.

### INSTALLATION

Coordinate wall opening at desired or specified location with contractor / architect to avoid wiring, pipes, etc. in wall. Place concealed mounting clamp and dish in wall opening. Tighten fasteners to clamp to secure in place.

Note: Bar is not fabricated to support a person's weight.

### NOTES