

date
projectname
attn
from
fax
email
phone

3-11-22
none
ja



UX1-B-CV

Flange & Curved Shower Rod

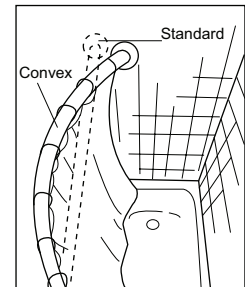
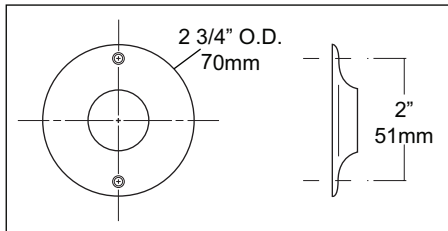
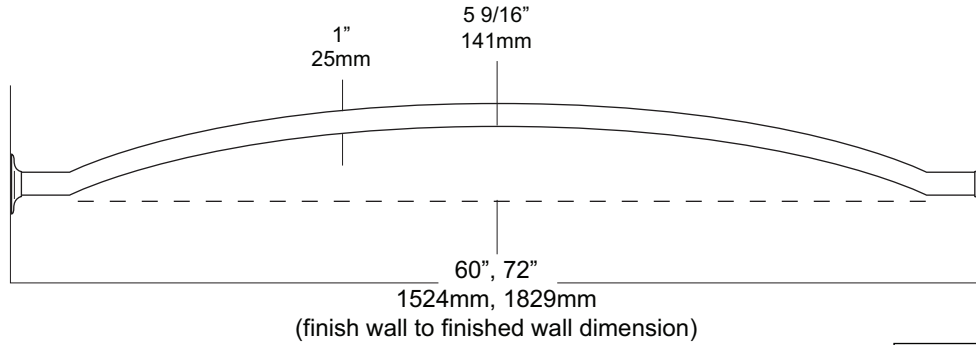
Revision 03/12

JOB #:

ITEM #:

QUANTITY:

MOUNTING	HANDING	TYPE	SIZE	OTHER



SPECIFICATIONS

Rods: Fabricated of #18 ga stainless steel with a #4 satin finish with a 1" outside diameter. Rod configuration is accomplished by a roll former that provides an additional 5 9/16" showering area. (Aprx. 25%)

Flanges: 22 ga. exposed mounting stainless steel flanges have a #4 satin finish to match rod. One flange is permanently secured to the rod, the other is loose for mounting purposes. 72"L is the maximum recommended size for this style rod. Overhead supports are not required for this style rod.

Overall Size: 1" O.D.

Standard Sizes: 60", 72"

INSTALLATION

Provide an area on wall surface at desired or specified location. Hold flange to wall surface and transfer mounting points. Drill pilot holes. Place flanges on the ends of the rods. Secure flanges to wall surface with proper fasteners per application. Make sure the shower rod is level before securing.

NOTES

Formerly Model #: UCVS



UX1-J-CV

Flange & Curved Shower Rod

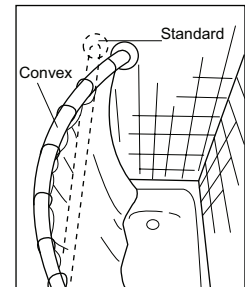
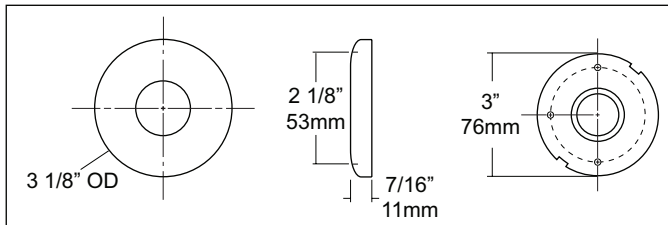
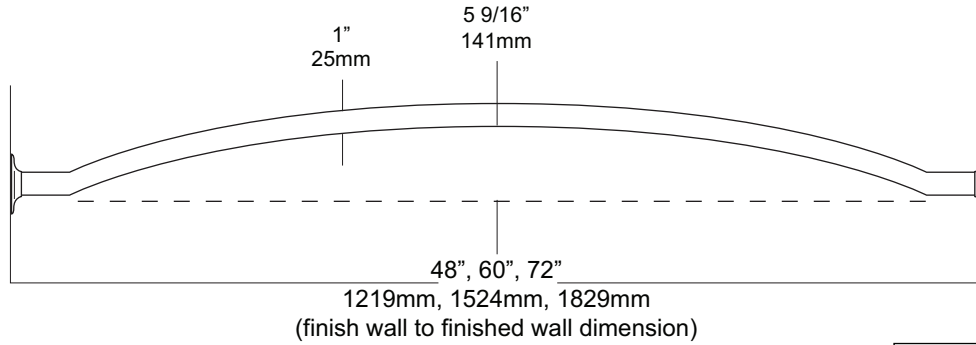
Revision 03/11

JOB #:

ITEM #:

QUANTITY:

MOUNTING	HANDING	TYPE	SIZE	OTHER



SPECIFICATIONS

Rods: Fabricated of stainless steel with a #4 satin finish. Rod configuration is accomplished by a roll former that provides additional

5 9/16" showering area. (approx. 25%)

Flanges: Concealed snap on flange with a #4 satin finish. One mounting plate is welded to the rod, the other is loose for mounting purposes. 72"L is the maximum recommended size for this style rod. Overhead supports are not required for this style rod.

Standard Sizes: 48", 60", 72"

INSTALLATION

Provide an area on wall surface at desired or specified location. Hold flange to wall surface and transfer mounting points. Drill pilot holes. Place flanges on the ends of the rods. Secure flanges to wall surface with proper fasteners per application. Make sure the shower rod is level before securing.

NOTES

UX1A
 Flange & Shower Rod

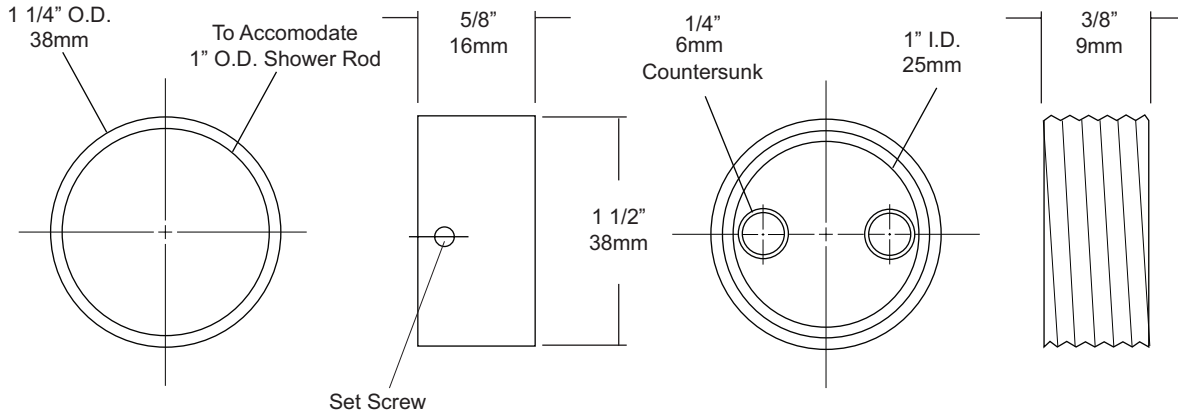
Revision 03/11

JOB #:

ITEM #:

QUANTITY:

MOUNTING	HANDING	TYPE	SIZE	OTHER



SPECIFICATIONS

Cover: Fabricated of chrome on brass, with concealed mounting. One flange of the pair is equipped with a set screw to prevent rod from rotating.
Shower Rod: Fabricated of 18 gauge stainless steel with a #4 satin finish.
UX1: 1" outside diameter

INSTALLATION

Provide an area on wall surface at desired or specified location. Hold flange to wall surface and transfer mounting points. Drill pilot holes. Place flanges on the ends of the rods. Secure flanges to wall surface with proper fasteners per application.

NOTES



UX1B

Flange & Shower Rod

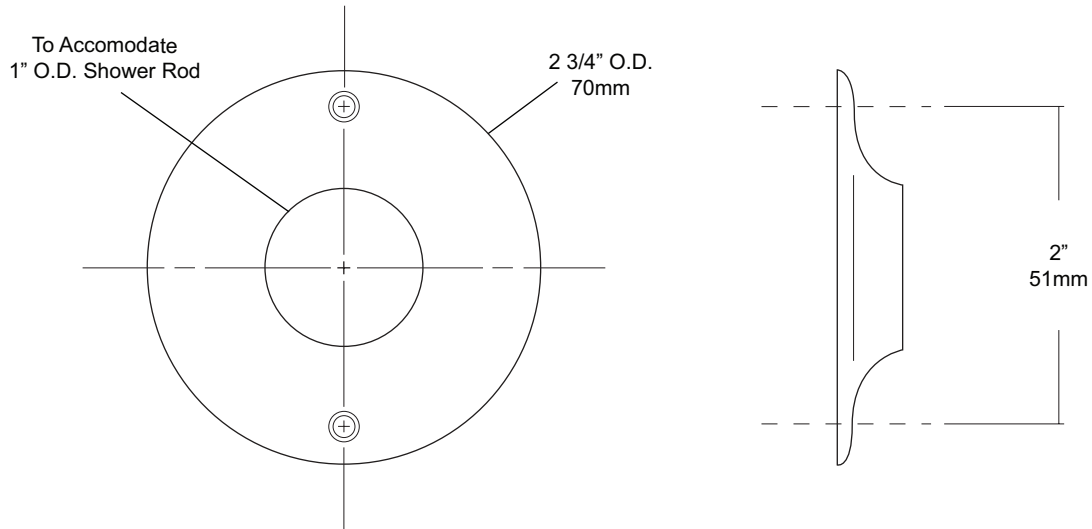
Revision 03/11

JOB #:

ITEM #:

QUANTITY:

MOUNTING	HANDING	TYPE	SIZE	OTHER



SPECIFICATIONS	INSTALLATION
----------------	--------------

Exposed Cover: Fabricated of #22 gauge stainless steel with a #4 satin finish. Cover has 2 (2) exposed mounting points.

Shower Rod: Fabricated of 18 gauge stainless steel with a #4 satin finish.

UX1: 1" outside diameter

Provide an area on wall surface at desired or specified location. Hold flange to wall surface and transfer mounting points. Drill pilot holes. Place flanges on the ends of the rods. Secure flanges to wall surface with proper fasteners per application.

NOTES

UX1C

Flange & Shower Rod

Revision 03/11

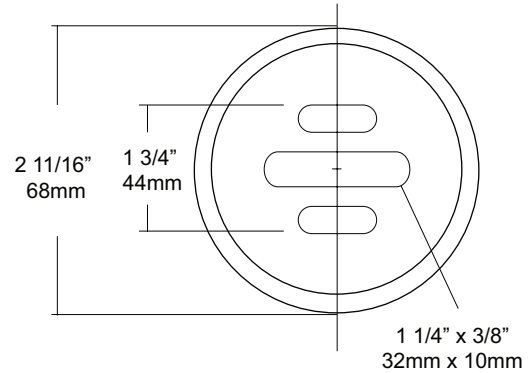
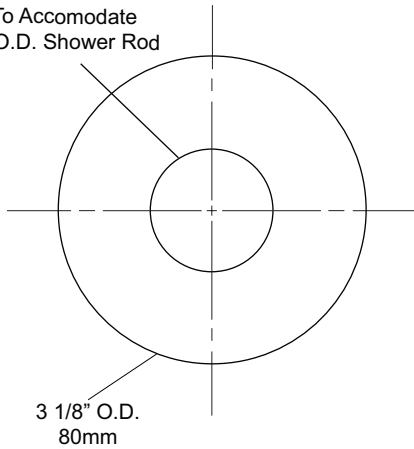
JOB #:

ITEM #:

QUANTITY:

MOUNTING	HANDING	TYPE	SIZE	OTHER

To Accomodate
1" O.D. Shower Rod



SPECIFICATIONS

Set Screw Cover: Fabricated of #11 gauge stainless steel with a #4 satin finish, secured with four (4) set screws.

Flanges: Fabricated of 3" diameter, 1/2" drawn #11 ga stainless steel with #4 satin finish to match tubing. Flanges are heliarc welded to bar to form a one piece construction. Each flange is secured to concealed mounting plate with four (4) 1/4"-20 stainless steel tamper resistant set screws.

Shower Rod: Fabricated of 18 gauge stainless steel with a #4 satin finish.

UX1: 1" outside diameter

INSTALLATION

Provide an area on wall surface at desired or specified location. Hold flange to wall surface and transfer mounting points. Drill pilot holes. Place flanges on the ends of the rods. Secure flanges to wall surface with proper fasteners per application.

NOTES

UX1E

Flange & Shower Rod

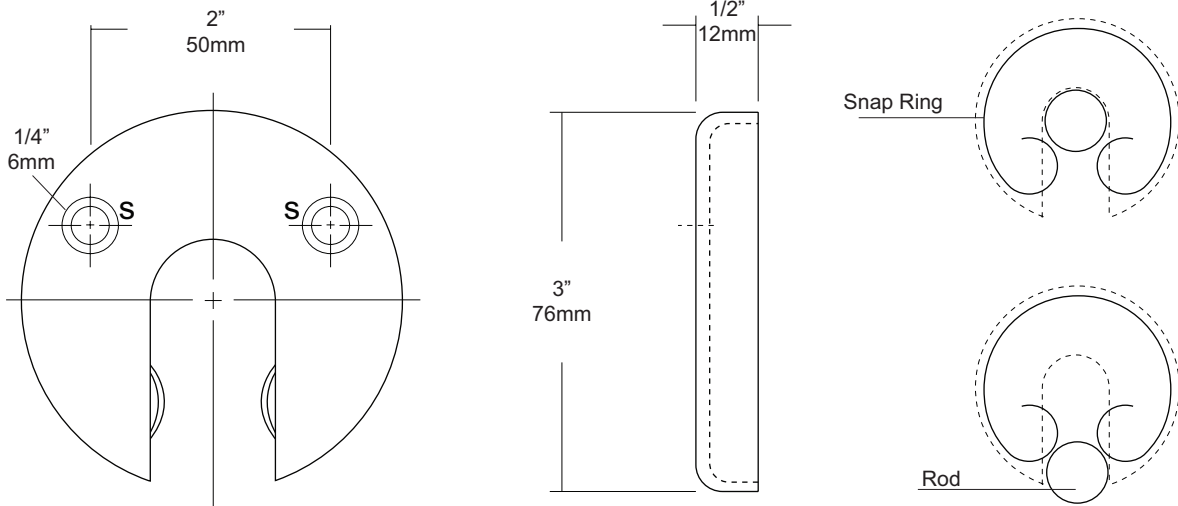
Revision 03/11

JOB #:

ITEM #:

QUANTITY:

MOUNTING	HANDING	TYPE	SIZE	OTHER



SPECIFICATIONS

Exposed Cover: Fabricated of #11 gauge stainless steel with a #4 satin finish. Cover has 2 (2) exposed mounting points. Retention spring has an approximate load capacity of 35lbs. When excess of 35lbs is applied, shower rod will separate from cover.

Shower Rod: Fabricated of 18 gauge stainless steel with a #4 satin finish.

UX1: 1" outside diameter

INSTALLATION

Provide an area on wall surface at desired or specified location. Hold flange to wall surface and transfer mounting points. Drill pilot holes. Place flanges on the ends of the rods. Secure flanges to wall surface with proper fasteners per application.

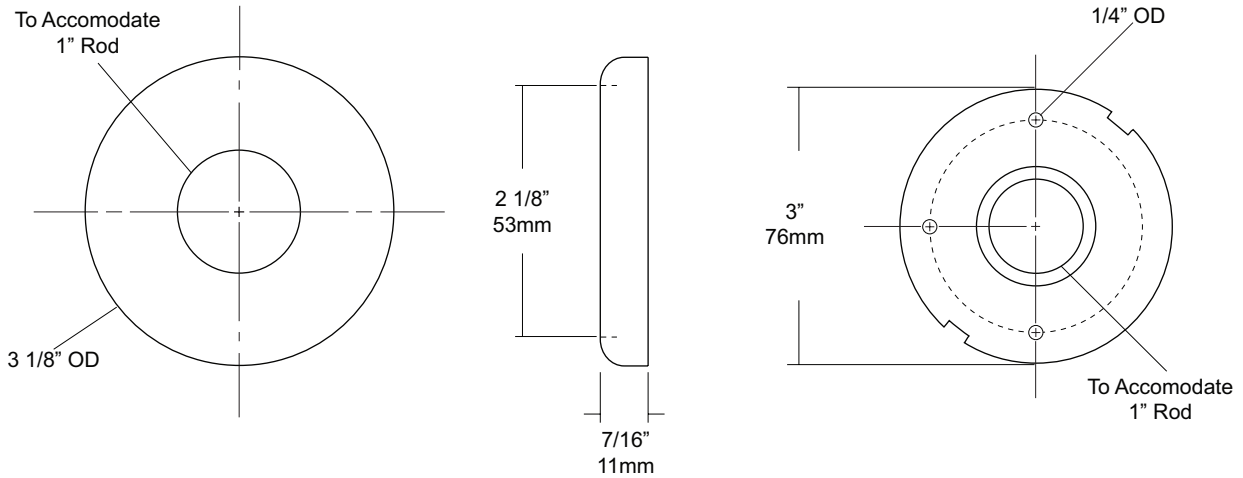
NOTES

JOB #:

ITEM #:

QUANTITY:

MOUNTING	HANDING	TYPE	SIZE	OTHER



SPECIFICATIONS

Concealed Mounting Plate: #14 gauge stainless steel with three (3) mounting points to secure to mounting surface and three (3) dimples that secure snap cover escutcheon.
Snap Cover: Fabricated of #22 gauge stainless steel with a #4 satin finish. Cover snaps over mounting plate to provide a concealed mounting application.
Shower Rod: Fabricated of 18 gauge stainless steel with a #4 satin finish.
UX1: 1" outside diameter

INSTALLATION

Provide an area on wall surface at desired or specified location. Hold flange to wall surface and transfer mounting points. Drill pilot holes. Place flanges on the ends of the rods. Secure flanges to wall surface with proper fasteners per application.

NOTES



UX1K

Flange & Shower Rod

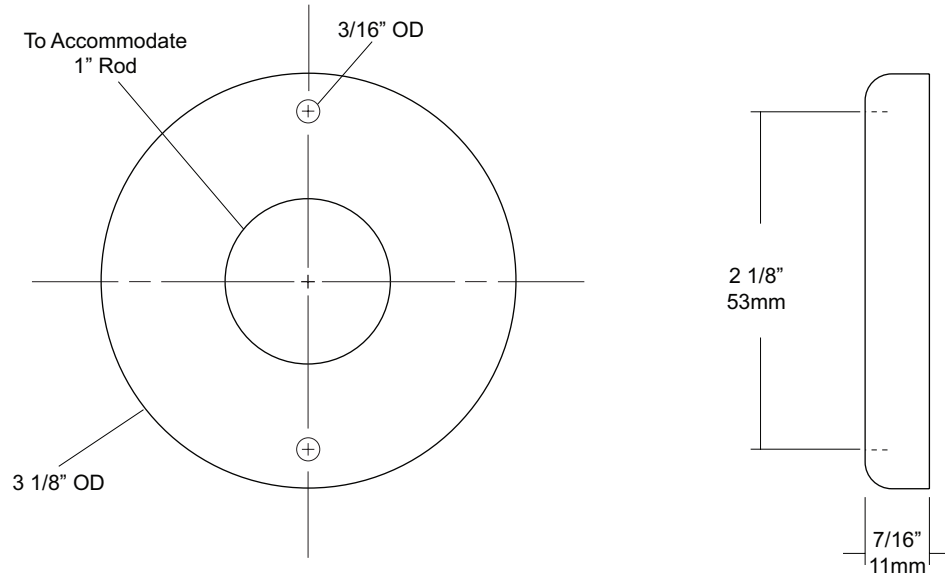
Revision 03/11

JOB #:

ITEM #:

QUANTITY:

MOUNTING	HANDING	TYPE	SIZE	OTHER



SPECIFICATIONS	INSTALLATION
----------------	--------------

Exposed Cover: Fabricated of #22 gauge stainless steel with a #4 satin finish. Cover has two (2) exposed mounting points.

Shower Rod: Fabricated of 18 gauge stainless steel with a #4 satin finish.

UX1: 1" outside diameter

Provide an area on wall surface at desired or specified location. Hold flange to wall surface and transfer mounting points. Drill pilot holes. Place flanges on the ends of the rods. Secure flanges to wall surface with proper fasteners per application.

NOTES

UX2A

Flange & Shower Rod

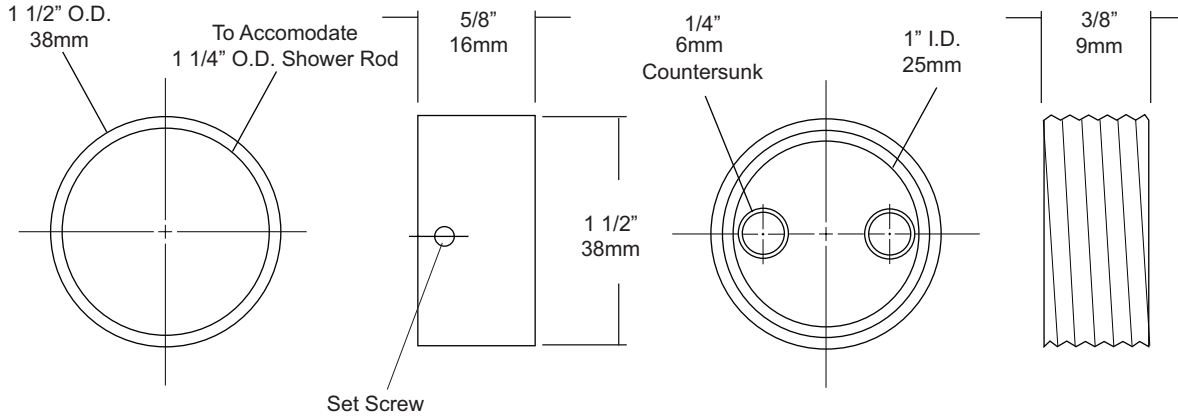
Revision 03/11

JOB #:

ITEM #:

QUANTITY:

MOUNTING	HANDING	TYPE	SIZE	OTHER



SPECIFICATIONS

Cover: Fabricated of chrome on brass, with concealed mounting. One flange of the pair is equipped with a set screw to prevent rod from rotating.
Shower Rod: Fabricated of 18 gauge stainless steel with a #4 satin finish.
UX1: 1 1/4" outside diameter

INSTALLATION

Measuring Curtains: Curtains are measured W x H. The same curtain will fit a 1 or 1 1/4" diameter rod.

NOTES



UX2B
Flange & Shower Rod

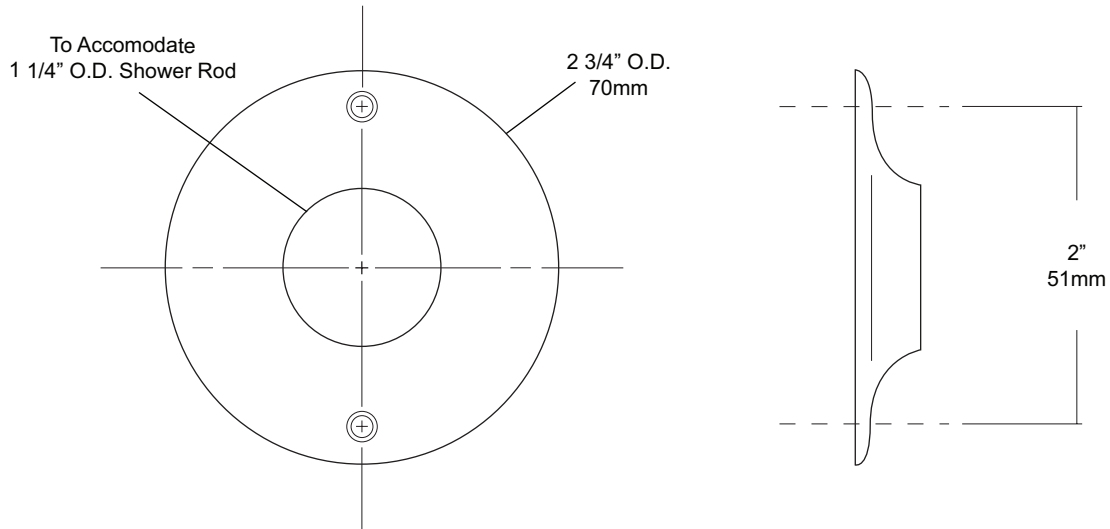
Revision 03/11

JOB #:

ITEM #:

QUANTITY:

MOUNTING	HANDING	TYPE	SIZE	OTHER



SPECIFICATIONS **INSTALLATION**

Exposed Cover: Fabricated of #22 gauge stainless steel with a #4 satin finish. Cover has 2 (2) exposed mounting points.
Shower Rod: Fabricated of 18 gauge stainless steel with a #4 satin finish.
UX2: 1 1/4" outside diameter

Provide an area on wall surface at desired or specified location. Hold flange to wall surface and transfer mounting points. Drill pilot holes. Place flanges on the ends of the rods. Secure flanges to wall surface with proper fasteners per application.

NOTES

UX2C

Flange & Shower Rod

Revision 03/11

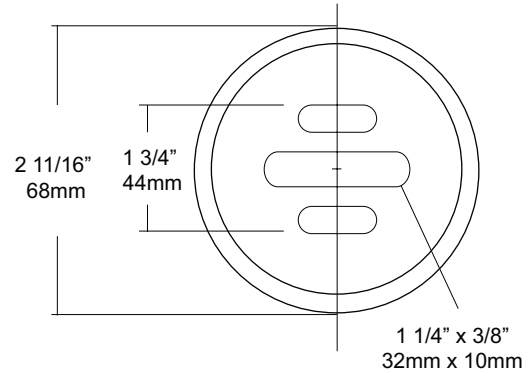
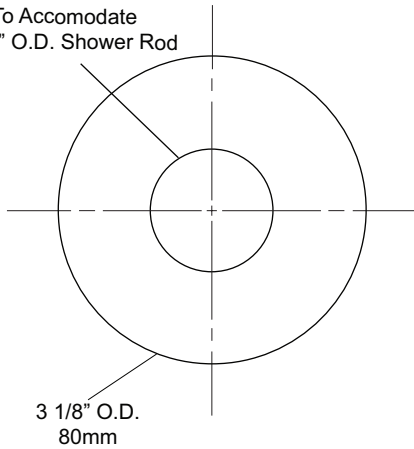
JOB #:

ITEM #:

QUANTITY:

MOUNTING	HANDING	TYPE	SIZE	OTHER

To Accomodate
1 1/4" O.D. Shower Rod



SPECIFICATIONS

Set Screw Cover: Fabricated of #11 gauge stainless steel with a #4 satin finish, secured with four (4) set screws.

Flanges: Fabricated of 3" diameter, 1/2" drawn #11 ga stainless steel with #4 satin finish to match tubing. Flanges are heliarc welded to bar to form a one piece construction. Each flange is secured to concealed mounting plate with four (4) 1/4"-20 stainless steel tamper resistant set screws.

Shower Rod: Fabricated of 18 gauge stainless steel with a #4 satin finish.

UX2: 1 1/4" outside diameter

INSTALLATION

Provide an area on wall surface at desired or specified location. Hold flange to wall surface and transfer mounting points. Drill pilot holes. Place flanges on the ends of the rods. Secure flanges to wall surface with proper fasteners per application.

NOTES



UX2J

Flange & Shower Rod

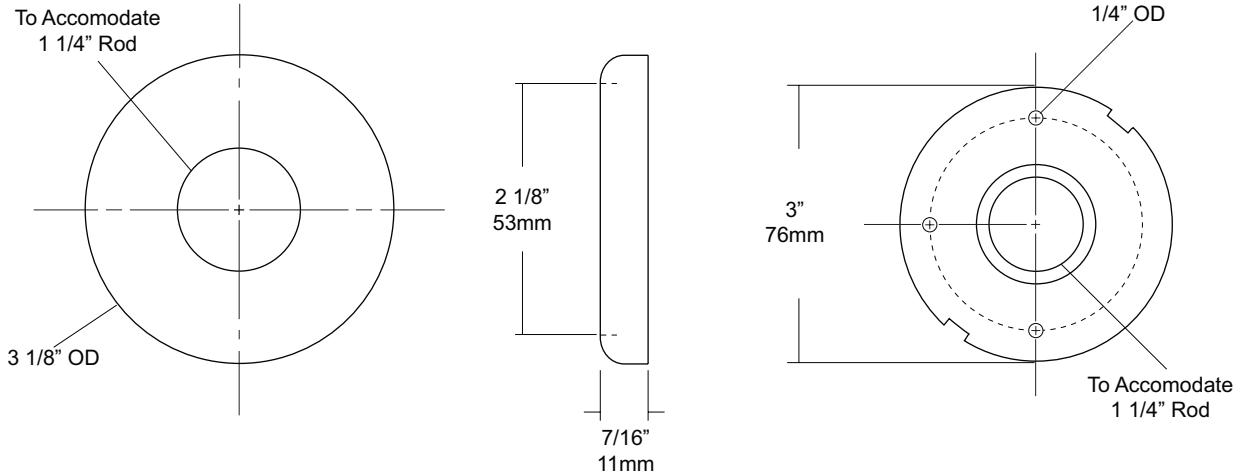
Revision 11/11

JOB #:

ITEM #:

QUANTITY:

MOUNTING	HANDING	TYPE	SIZE	OTHER



SPECIFICATIONS

Concealed Mounting Plate: #14 gauge stainless steel with three (3) mounting points to secure to mounting surface and three (3) dimples that secure snap cover escutcheon.

Snap Cover: Fabricated of #22 gauge stainless steel with a #4 satin finish. Cover snaps over mounting plate to provide a concealed mounting application.

Shower Rod: Fabricated of 18 gauge stainless steel with a #4 satin finish.

UX2: 1 1/4" outside diameter

INSTALLATION

Provide an area on wall surface at desired or specified location. Hold flange to wall surface and transfer mounting points. Drill pilot holes. Place flanges on the ends of the rods. Secure flanges to wall surface with proper fasteners per application.

NOTES



UX2K
Flange & Shower Rod

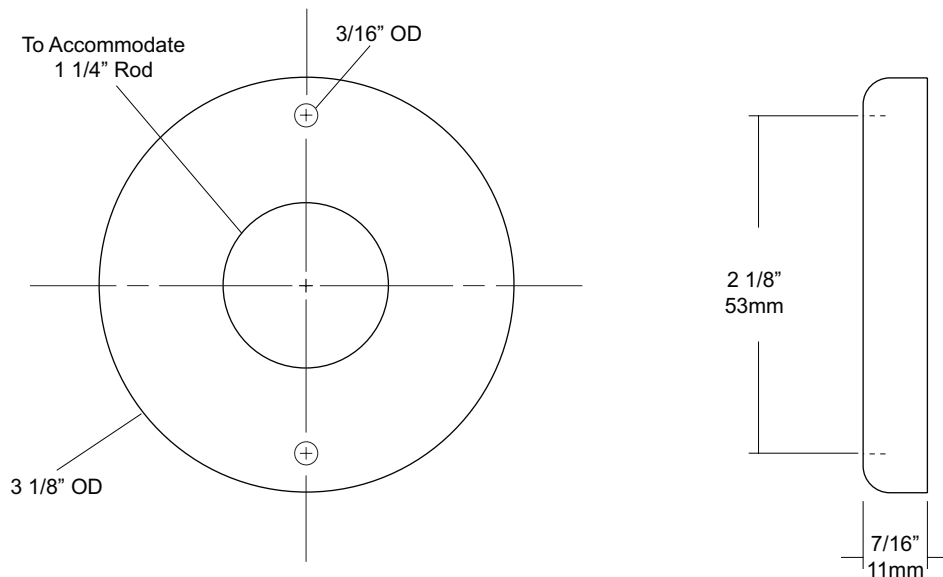
Revision 03/11

JOB #:

ITEM #:

QUANTITY:

MOUNTING	HANDING	TYPE	SIZE	OTHER



SPECIFICATIONS	INSTALLATION
----------------	--------------

Exposed Cover: Fabricated of #22 gauge stainless steel with a #4 satin finish. Cover has two (2) exposed mounting points.

Shower Rod: Fabricated of stainless steel with a #4 satin finish.

UX2: 1 1/4" outside diameter

Provide an area on wall surface at desired or specified location. Hold flange to wall surface and transfer mounting points. Drill pilot holes. Place flanges on the ends of the rods. Secure flanges to wall surface with proper fasteners per application.

NOTES
