

date  
projectname  
attn  
from  
fax  
email  
phone

11/18/20  
14000 Barracks  
Ken  
Charlie Mills



**U124**  
Soap Dispenser

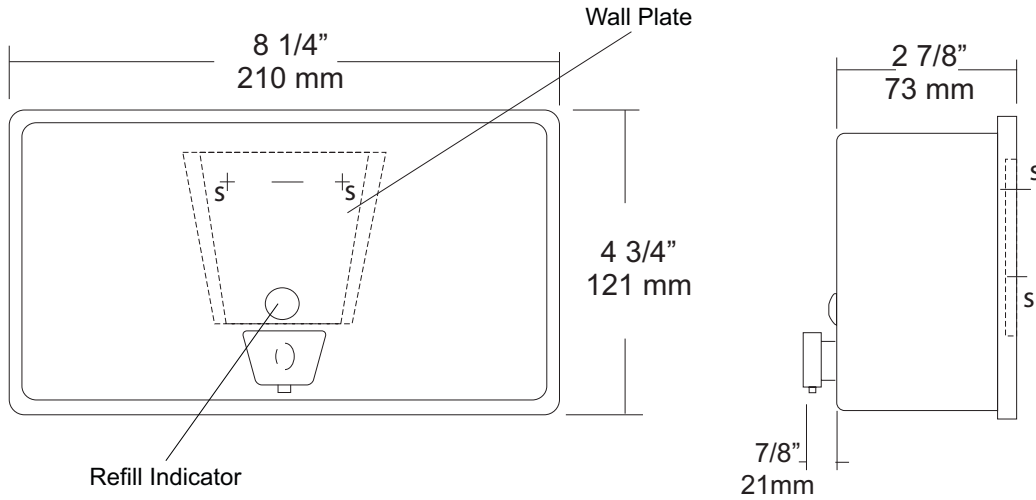
Revision 11/14

JOB #:

ITEM #:

QUANTITY:

MOUNTING	HANDING	TYPE	SIZE	OTHER



**SPECIFICATIONS**

**Soap Tank:** Fabricated of #20 ga stainless steel, #4 satin finish, fully welded one-piece construction.

**Valve:** All purpose antibacterial soap valve cylinder, black molded plastic push style valve that takes less than 5 lbs of force and one hand to operate complies with barrier free guidelines when mounted at proper height.

**Viewer:** Clear plastic window allows a constant fluid level check.

**Concealed Mounting Plate:** Fabricated of heavy gauge stainless steel.

**Filler Cap:** Fabricated of stainless steel, hinged to allow easy servicing, secured with special key that creates a vandal resistant dispenser.

**Overall Size:** 8 1/4"W x 4 3/4"H x 3 3/4"D  
**210mm x 121mm x 95mm (Horizontal Mounting)**

**Capacity:** 40 oz.

**Recommend type soaps without chloric solutions for proper operation.**

**INSTALLATION**

Provide an area on mounting surface at desired or specified location. Secure concealed mounting plate to wall surface with proper fasteners. Slide dispenser down over mounting plate and secure by means of set screw located inside tank. Fill unit with proper soap. Close lid and secure with special key. Test valve for proper operation.

\*It is not recommended to mount any soap dispenser on mirrors

\*\*For best performance, use pre-mixed low concentrate solutions. Dispensers should have periodic maintenance performed to insure the life dispenser. Rinse out globe and valve with warm water to avoid sludge buildup.

Preventative Maintenance: Each dispenser should be flushed out aprx. Every 30 days with warm water to prevent valve from; clogging with old soap. Abrasive cleaners should not be used when wiping down dispenser.

**NOTES**



# U1511EA Series

Low Profile Hands Free Dryer with  
Universal Voltage

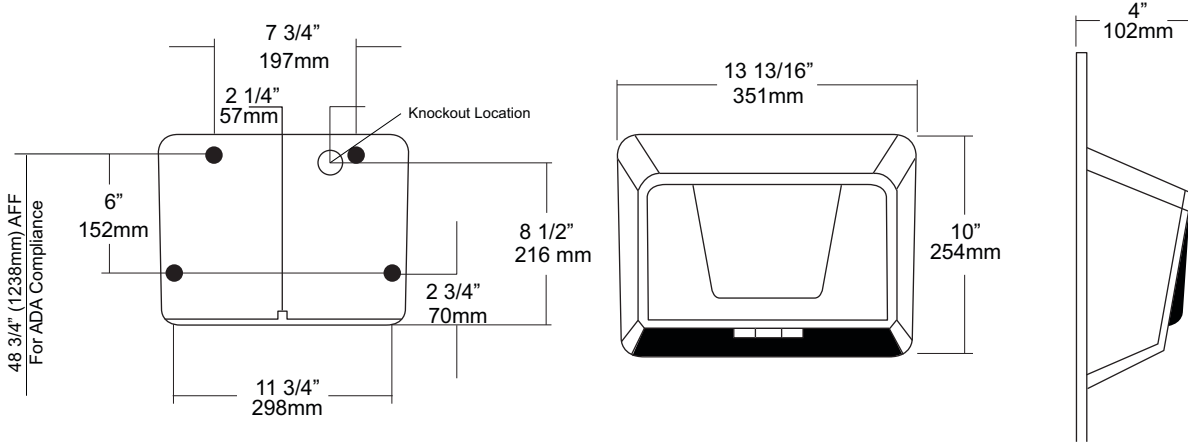
Revision 11/14

JOB #:

ITEM #:

QUANTITY:

MOUNTING	HANDING	TYPE	SIZE	OTHER



## SPECIFICATIONS

**Element:** Industrial strength coil wound on mica support protected by temperature limit.

**Circuitry:** Infrared microprocessor control allows multi- voltage application.

**Assembly:** Dual blower wheel and housing made of engineered thermoplastics powered by thermally protected brush motor. Assembled on a plated steel base plate for maximum strength and durability.

**Cover and Finish:**

**U1511EA:** Powder coated (white) formed steel alloy. Cover secured to base with theft resistant screws.

**U1511EA-SF:** satin stainless steel cover.

**Overall Size:** 13"W x 10"H x 4"D

**Specifications:**

**Motor:** 7500 RPM (Brushed motor)

**Sound Level:** 73 DB

Volts	Watts	Amps	Frequency
110-120	1800	15	50 hz or 60 hz
208-240	2400	10	50 hz or 60 hz

## INSTALLATION

Coordinate installation with architect and contractor avoid interference with pipes, vents etc. Verify mounting height for each application for code compliance. Place template on wall surface and transfer mounting points, Drill holes for securing making sure power source is not be interrupted when base is installed, Remove cover. Unit must be installed by qualified licensed electricians. Properly connect power supply and test dryer for proper operation, Install cover and secure with theft resistant fasteners and test again. (15 second delay from when power is connected to when unit is operational)

## NOTES

Formerly Model #: U1511EA



# U169EA

## Roll Towel Dispenser

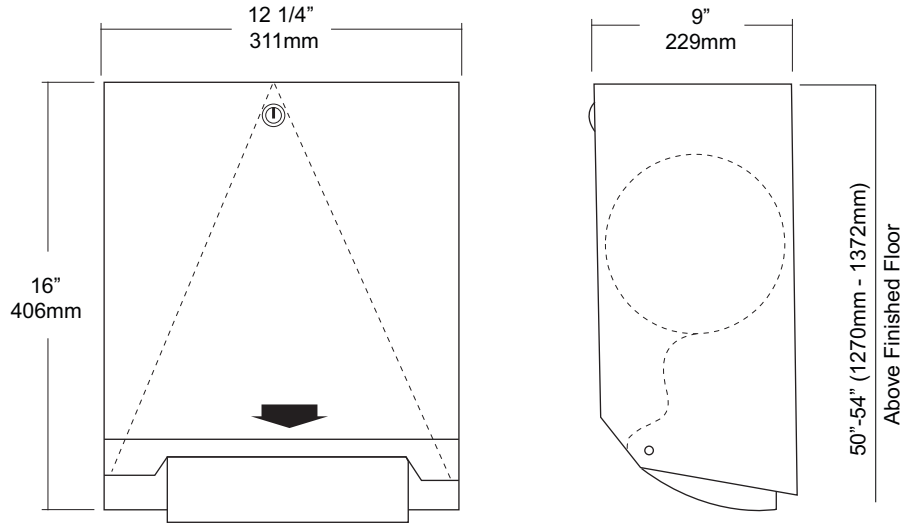
Revision 11/14

JOB #:

ITEM #:

QUANTITY:

MOUNTING	HANDING	TYPE	SIZE	OTHER



### SPECIFICATIONS

**Cabinet Body:** Fabricated of #22 ga stainless steel with #4 satin finish.  
**Cabinet Door:** Fabricated of #18 ga stainless steel, #4 satin finish.  
**Back:** #22 ga stainless steel, with key hole slots for mounting.  
**Roll Towel Mechanism:** Internal mechanism is fabricated of high impact plastic operated by an automatic sensor.  
**Sensor:** Operated by four (4) D cell batteries (not included). After batteries and paper have been properly installed, pass hands through sensor range to activate motor. After unit has 30 seconds to calibrate, it is ready to dispense. It takes aprx. 6 dispenses to adjust to the proper paper length. After the sensor range has been interrupted, paper will not be dispensed until sensor range has been cleared to reset.  
**Lock:** Pin tumbler, commercial quality lock, keyed like all other AJW cabinets.  
**Overall Size:** 12 1/4"W x 16"H x 9"D  
**311mm x 406mm x 228mm**  
**Capacity:** One standard size roll of 8" or 9" wide. (Use only non-perforated towels). One stub roll up to 2 3/4" OD  
**\*Recommended 600ft roll for best results.**

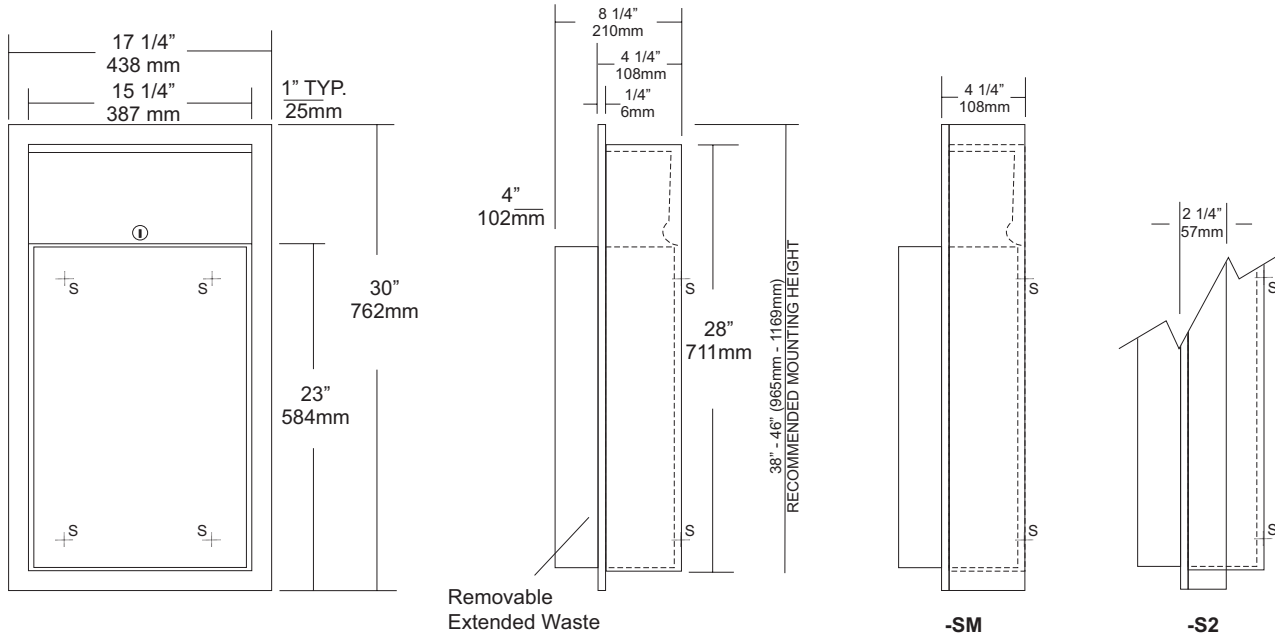
### INSTALLATION

Provide an area on mounting surface at desired or specified location. Coordinate installation with architect / contractor. Open cabinet door, place unit against wall making sure unit is level and transfer mounting points. Top of cabinet should be no higher than 48" above finished floor to comply with ADA Code. Secure cabinet to wall surface with proper fasteners for each application. Load towels in cabinet per instruction label.

### NOTES

Formerly Model #: U169A/199EA

MOUNTING	HANDING	TYPE	SIZE	OTHER
----------	---------	------	------	-------



### SPECIFICATIONS

**Body:** Fabricated of #22 ga stainless steel with #4 satin finish on all exposed areas.

**Flange:** Fabricated of #22 ga stainless steel finished to match cabinet. One piece construction without miters or welds with 1/4" returns to wall surface for maximum strength.

**Back:** Fabricated of stainless steel formed for rigidity with multiple welds to cabinet body to form a one-piece construction.

**Removable Waste:** #22 ga stainless steel with #4 satin finish with hemmed edges and radius corners. Hook tabs allow liner to be installed are an integral part of waste can. Waste is secured in place by tumbler lock and bottom hanger. (12 gallon capacity)

**Lock:** Pin tumbler, commercial quality, keyed like all other AJW cabinets.

**Collars:** #22 ga stainless steel, sized & finished to match cabinet. (Used for surface mounting & semi-recessing)

**Overall Size:** 17 1/4"W x 30"H x 8 1/4"D (4" extended waste)  
**438mm x 762mm x 203mm**

**Wall Opening:** 15 3/4"W x 28 1/2"H x 4"D  
**400mm x 724mm x 102mm**

**U410-S2:** semi-recessed 2" collar(2" wall open.,51mm)

**U410-SM:** Surface mounting collar

**Waste Capacity:** 12 gallons (1.6 cu ft)

**Options:**

- VL1: Reusable vinyl liner
- CV: Covered Waste

### INSTALLATION

Coordinate installation with architect and contractor. Provide a wall opening 15 3/4"W x 28 1/2"H . Wall depth will vary if collars are required. Remove waste from cabinet and insert into opening. Secure unit with proper fasteners for each application. Make sure each unit is plumb and true. Secure unit in cabinet by locking in place by tumbler lock. Liners may be installed. (VL1 Re-usable liner)

If semi-recessed cabinets are required see specification for wall depth's.

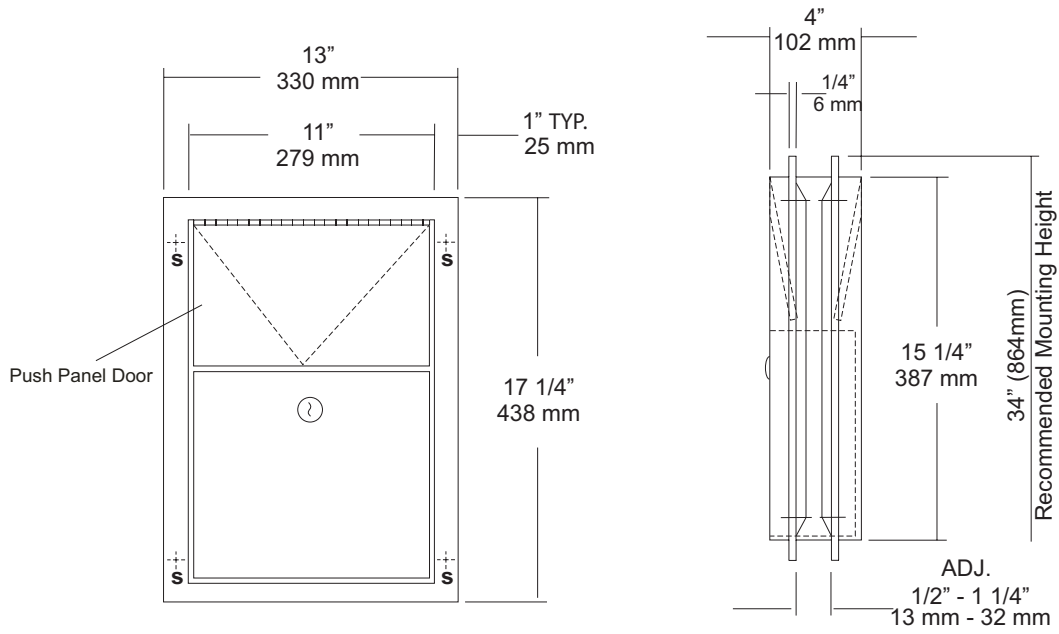
### NOTES



**U580**  
 Partition Mounted Sanitary Napkin  
 Disposal  
 Revision 09/13

JOB #:  
 ITEM #:  
 QUANTITY:

MOUNTING	HANDING	TYPE	SIZE	OTHER
----------	---------	------	------	-------



**SPECIFICATIONS**

**Body:** Fabricated of #22 ga stainless steel, #4 satin finish.  
**Flanges:** Fabricated of #22 ga stainless steel, drawn one-piece construction with 1/4" returns to wall surface. One flange is welded to body the other is adjustable to fit 1/2" - 1 1/4" thick partitions. (No miters or welds).  
**Push Panels:** Fabricated of #22 ga stainless steel self closing push panel door. \*International graphic symbol optional\*  
**Waste:** #22 ga stainless steel removable from one side with pin tumbler type lock securing in place. Optional finger grip in lieu of lock  
**Locks:** Pin tumbler locks keyed like all other AJW cabinets.  
**Hinges:** Full length, heavy duty, stainless steel piano type.  
**Overall Size:** 13"W x 17 1/4"H x 4"D  
**330mm x 438mm x 108mm**  
**Wall Opening:** 11 1/2"W x 15 3/4"H  
**292mm x 400mm**  
**Capacity:** 1.5 gallons (.2 cu ft)  
**NDL-13-50:** Waxed disposable liners. (50 per Case)  
**U580-PW:** Same as U580 with plastic removable waste.

**INSTALLATION**

Provide a rough partition opening 11 1/2"W x 15 3/4"H. Remove adjustable flange and place unit into opening. Secure welded flange to partition at four points making sure unit fits flush and is level. Place adjustable flange over unit and secure to partition the same way as the fixed flange. Be sure the proper fasteners are used for each application.

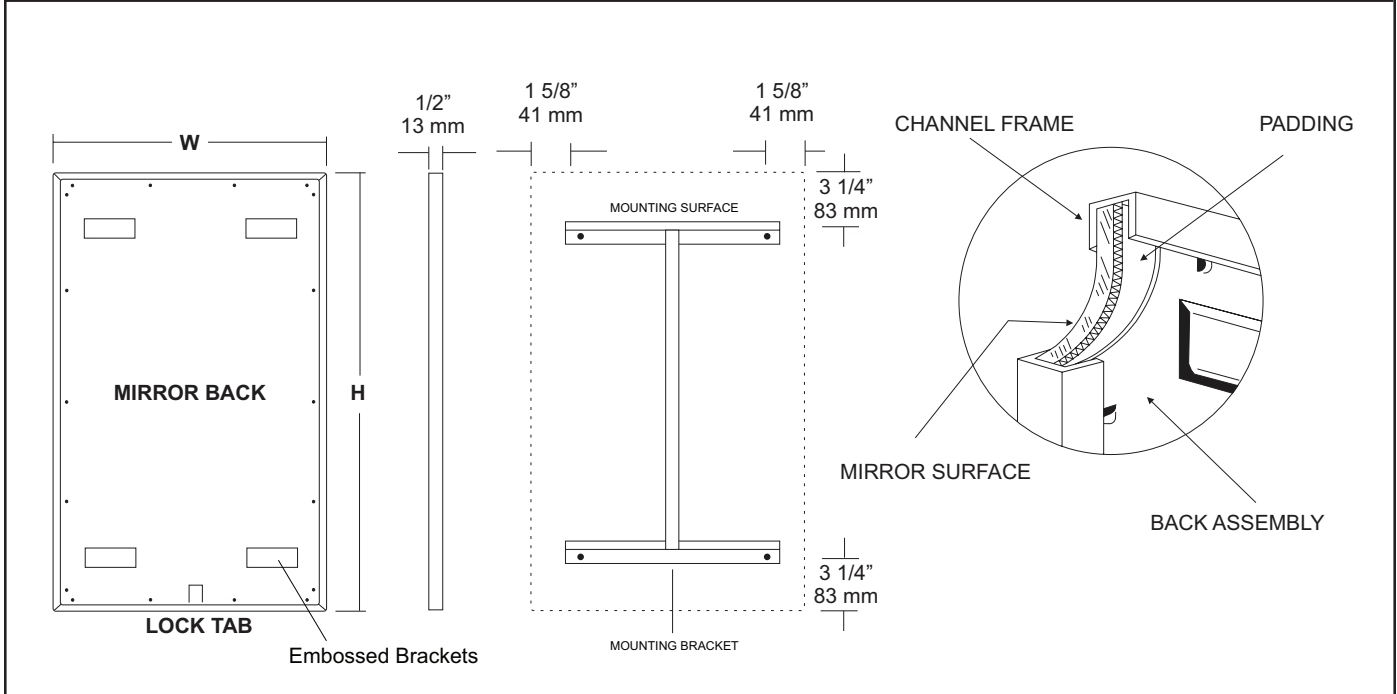
**NOTES**

JOB #:

ITEM #:

QUANTITY:

MOUNTING	HANDING	TYPE	SIZE	OTHER



#### SPECIFICATIONS

**Frame:** Fabricated of #20 ga stainless steel, #4 satin finish. Roll formed  $1\frac{1}{2}$ " x  $1\frac{1}{2}$ " x  $1\frac{1}{2}$ " channel frame has mitered corners and secured with stainless steel rivet.

**Mirror:**  $1\frac{1}{4}$ " thick type 1 transparent flat type, class 1 - clear glass mirrors. Mirror is coated with silver and sealed with a uniform electrolytic copper plating, along with two coats of paint for added protection. Mirrors are guaranteed against silver spoilage for a period of 15 years. Mirrors conform to ASTM C1036 and ASTM C1503-R8.

**Filler:** Full size,  $1\frac{1}{8}$ " shock absorbing, water resistant, nonabrasive, polyethylene padding protects all concealed mirror surfaces.

**Back:** #20 ga pre-plated galvanized steel, with embossed horizontal louver mounting brackets. Embossed theft resistant pressure activated clip lock device, locks mirror in place to wall hangers.

**Hangers:** Fabricated of #20 ga pre-plated steel galvanized steel with mounting points.

**Standard Sizes Available (W x H):** 16"x20", 16"x24", 16"x30", 18"x24", 18"x30", 18"x36", 24"x30", 24"x36", 24"x42", 24"x48", 18"x60", 20"x60", 24"x60", 18"x72", 24"x72"

#### Options:

- LG:** Laminated Glass
- LX:** Polycarbonate
- PM:** Plastic Acrylic
- T:** Tempered Glass
- VC:** Vinyl Clad (Safety Glass)
- 8B:** #8 Reflective Stainless Steel

\*Stainless steel mirrors reflect images in different optic quality than plate glass. There will be a slight distortion which increases proportionately with the mirror size. Therefore, AJW Architectural Products™ cannot be held responsible for quality of image.

- \*\*Mirrors are always ordered Width x Height
- \*\*\*Recommended max size for 8B mirrors: 72" x 47-1/2"
- \*\*\*\*Framed mirrors are fabricated to a tolerance of (+/-) 1/8"
- \*\*\*\*\* Mirrors conform to Federal Specifications DD-M-00411b & DD-g-541D

#### INSTALLATION

Coordinate installation with architect / contractor for specific mounting location and height for each mirror application. Making sure "I" bracket is level, transfer all mounting point locations to wall surface from drawing. Secure brackets with proper fasteners for each application. Slide mirror down over horizontal brackets until clip lock secures mirror in place. Mirror can only be removed by inserting tool through hole at bottom of frame depressing clip. This will allow mirror to slide up over brackets. Fillers are available if mirrors are mounted above and below tile line. (U004 Filler) filler material will match mirror frame to form a one piece construction.

To meet ADA Code, bottom edge of reflective surface can be no higher than 40" above finished floor. (4.19.6) Full length mirrors may be used for universal application when installed in correct locations.

Abrasive cleaners & chloric solutions should not be used on mirrors. Discoloring and /or scratching of frame and reflective surface may occur.

#### NOTES



# U716 Series

## Channel Frame Mirror & Shelf Combination

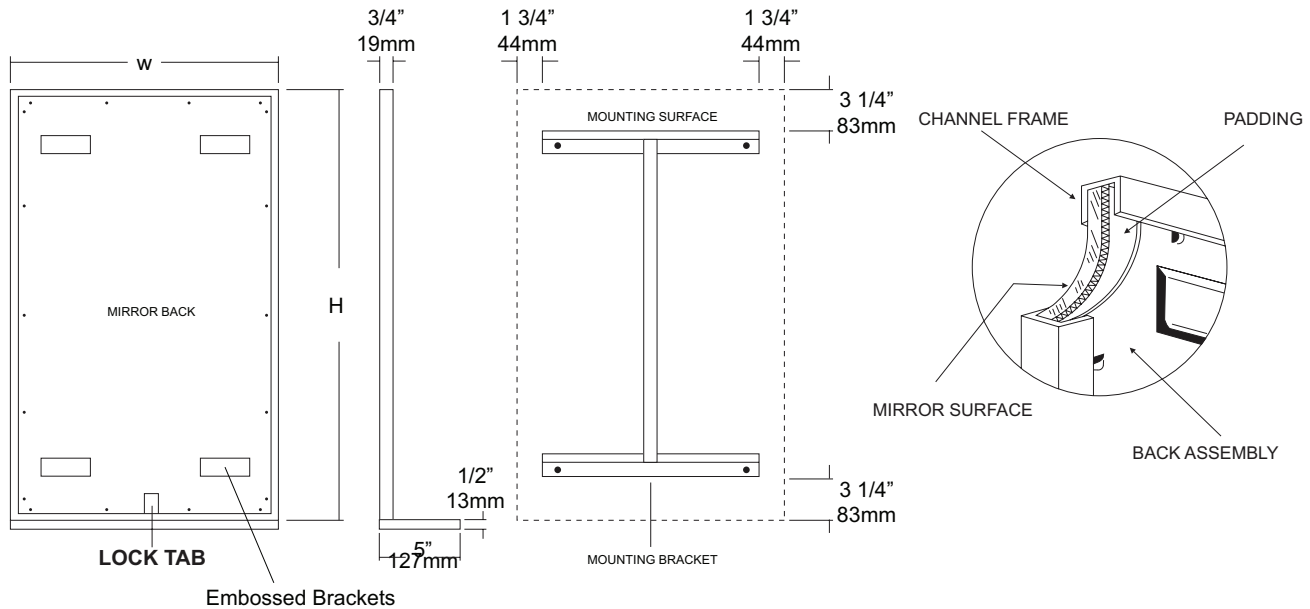
Revision 11/15

JOB #:

ITEM #:

QUANTITY:

MOUNTING	HANDING	TYPE	SIZE	OTHER
----------	---------	------	------	-------



### SPECIFICATIONS

**Frame:** Fabricated of #20 ga stainless steel, #4 satin finish. Roll formed 1/2" x 1/2" x 1/2" channel frame has mitered corners and secured with stainless steel rivet.

**Mirror:** 1/4" thick type 1 transparent flat type, class 1 - clear glass mirrors. Mirror is coated with silver and sealed with a uniform electrolytic copper plating, along with two coats of paint for added protection. Mirrors are guaranteed against silver spoilage for a period of 15 years. Mirrors conform to ASTM C1036 and ASTM C1503-R8.

**Filler:** Full size, 1/8" shock absorbing, water resistant, nonabrasive, polyethylene padding protects all concealed mirror surfaces.

**Shelf:** #18 ga stainless steel with #4 satin finish. Shelf is 5"d x full mirror width. All edges are turned down 1/2" with front turned back 1/2" for rigidity. #18 ga support bracket is welded to both frame and shelf, ground smooth.

**Back:** Fabricated of #20 ga pre-plated galvanized steel, with embossed horizontal louver mounting brackets. Embossed theft resistant pressure activated clip lock device, locks mirror in place to wall hangers.

**Hangers:** Fabricated of #20 ga pre-plated steel galvanized steel with mounting points.

**Standard Sizes Available (W x H):** 16"x24", 16"x30", 18"x24", 18"x30", 18"x36", 24"x30", 24"x36

### Options:

- LG: Laminated Glass
- LX: Polycarbonate
- PM: Plastic Acrylic
- T: Tempered Glass
- VC: Vinyl Clad (Safety Glass)
- 8B: #8 Reflective Stainless Steel

\*Stainless steel mirrors reflect images in different optic quality than plate glass. There will be a slight distortion which increases proportionately with the mirror size. Therefore, AJW Architectural Products™ cannot be held responsible for quality of image.

\*\*Mirrors are always ordered Width x Height  
 \*\*\*Recommended max size for 8B mirrors: 72" x 47-1/2"  
 \*\*\*\*Framed mirrors are fabricated to a tolerance of (+/-) 1/8"  
 \*\*\*\*\* Mirrors conform to Federal Specifications DD-M-00411b & DD-g-541D

### INSTALLATION

Coordinate installation with architect / contractor for specific mounting location and height for each mirror application. Making sure "I" bracket is level, transfer all mounting point locations to wall surface from drawing. Secure brackets with proper fasteners for each application. Slide mirror down over horizontal brackets until clip lock secures mirror in place. Mirror can only be removed by inserting tool through hole at bottom of frame depressing clip. This will allow mirror to slide up over brackets. Fillers are available if mirrors are mounted above and below tile line. (U004 Filler) filler material will match mirror frame to form a one piece construction.

To meet ADA Code, bottom edge of reflective surface can be no higher than 40" above finished floor. (4.19.6) Full length mirrors may be used for universal application when installed in correct locations.

Abrasive cleaners & chloric solutions should not be used on mirrors. Discoloring and /or scratching of frame and reflective surface may occur.

### NOTES

Formerly Model #: U715 Series





# U840 Toilet Tissue Dispenser

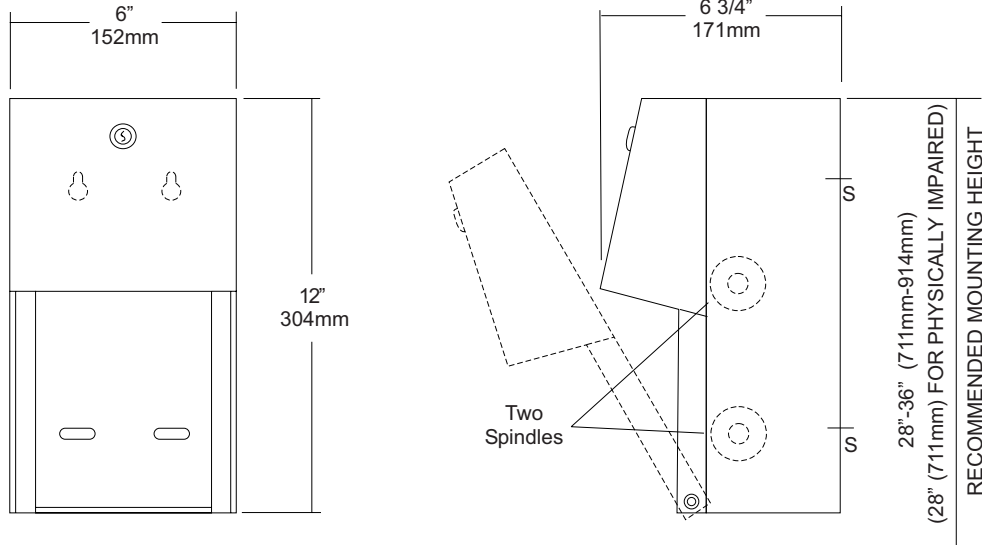
Revision 03/11

JOB #:

ITEM #:

QUANTITY:

MOUNTING	HANDING	TYPE	SIZE	OTHER



## SPECIFICATIONS

**Body:** Fabricated of #22 ga stainless steel with #4 satin finish. Concealed inner dispensing mechanism is #18 ga stainless steel.

**Back:** Fabricated of #18 ga stainless steel with multiple welds to cabinet body forming a one piece construction.

**Hood:** Fabricated of #18 ga stainless steel finished to match cabinet body. Hood is secured with stainless steel hinge rivets to cabinet body. Top roll of tissue will not drop down unless the bottom roll has been depleted. When unit is closed, this will provide a theft resistant, non-control operation and reduce vandalism.

**Locks:** Pin tumbler, commercial quality locks keyed like all other AJW cabinets.

**Spindles:** (U005) Fabricated of one-piece molded high impact black ABS material.

**Overall Size:** 6"W x 12"H x 6 3/4"D

**152mm x 305mm x 171mm**

**Capacity:** Two standard rolls with a 5 1/4" (133mm) OD..

## INSTALLATION

Provide an area on mounting surface at desired or specified location. Open cabinet, remove spindles and hold unit to wall at desired location. Transfer mounting points and drill pilot holes. Secure unit with proper fasteners per each application. Load toilet tissue on rollers, place in concealed track and close hood. Raise lower roll against upper and take hand away. Lower roll should fall into place with upper roll remaining up above the hood line. If loaded properly, top roll will not fall for use until bottom roll has been depleted. When servicing dispenser, full rolls must be used on both spindles to insure proper operation.

All toilet tissue dispensers that meet ADA code cannot have any type of control delivery. (4.16)

## NOTES

Formerly Model #: U840A



# U851 Seat Cover Dispenser

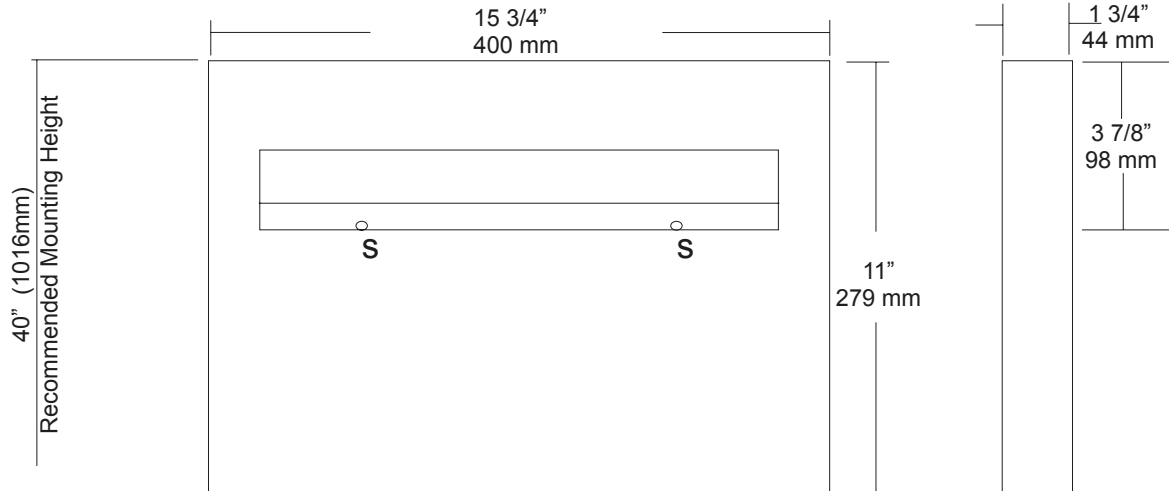
Revision 07/15

JOB #:

ITEM #:

QUANTITY:

MOUNTING	HANDING	TYPE	SIZE	OTHER



### SPECIFICATIONS

**Dispenser:** Unit is fabricated of #22 gauge stainless steel with a #4 satin finish. Beveled edge around the dispensing areas ensures a clean dispensing area that prevents product from tearing and injury. Loading of product is accomplished from below without having to open any locking mechanism or access panel. Hat style mounting bracket provides added rigidity for body and acts as a support for the packaging.

**Overall Size:** 15 3/4"W x 11"H x 1 3/4"D

**400mm x 279mm x 44mm**

**Capacity:** 500 seat covers

### INSTALLATION

Place unit on wall surface at desired or specified location making sure unit is level. Transfer mounting point locations and drill pilot holes for mounting. Secure unit to surface with proper fasteners per application. Product loads from the bottom out of site from public view.

### NOTES

## UB32 Series Heavy Duty Towel Bar

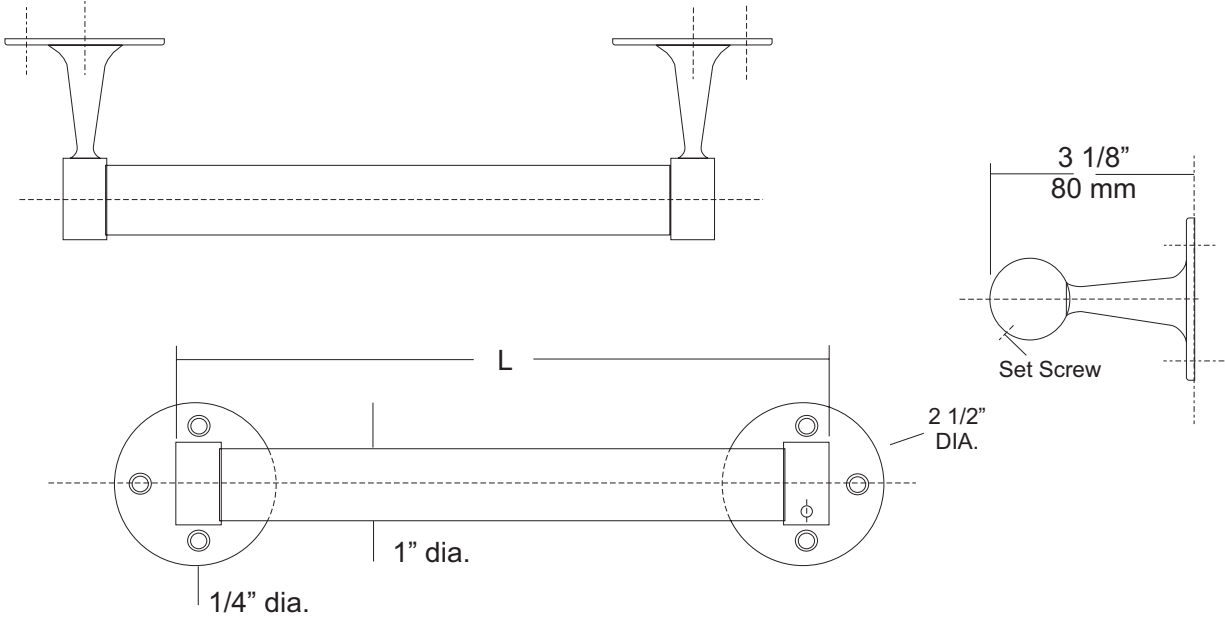
Revision 03/11

JOB #:

ITEM #:

QUANTITY:

MOUNTING	HANDING	TYPE	SIZE	OTHER



SPECIFICATIONS	INSTALLATION
----------------	--------------

**Posts:** Fabricated of solid forged brass finished with a chrome plated bright finish. Mounting flange is equipped with three countersunk mounting points. (1/4" Dia.). One post is equipped with a set screw to prevent bar from rotating.

**Bar:** Fabricated of #18 ga stainless steel with a bright finish. Diameter of bar is 1" (26mm)

**Standard Lengths:** 18", 24", 30", 36"

**UB32-SF:** Same as UB32 with satin finish

Place towel bar inside the post ends and hold up to mounting surface. Making sure unit is level, transfer mounting points from each flange and drill pilot holes. Secure one to mounting surface with proper fasteners per application. Insert bar into mounted post and slide other post over bar. Holding post against wall, secure flange to wall.

**NOTES**

Formerly Model #: UBK6000 Series



# UG3-A

Grab Bars

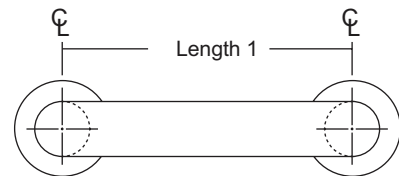
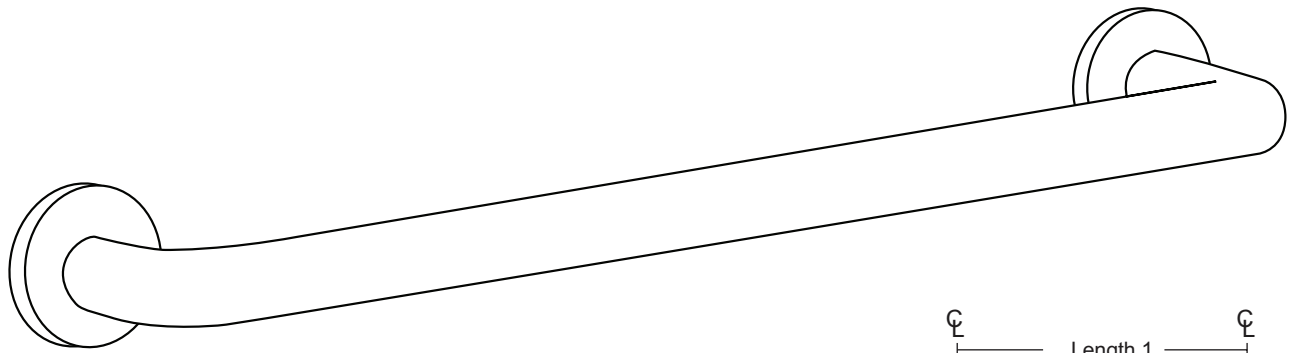
Revised 03/11

JOB #:

ITEM #:

QUANTITY:

MOUNTING	HANDING	TYPE	SIZE	OTHER



## SPECIFICATIONS & INSTALLATION

**Tubing:** Fabricated of #18 ga stainless steel with a #4 satin finish. Available in 1 1/2" outside diameter. All bends are formed by an automatic mandrel bending process. All bars maintain a constant 1 1/2" offset.

**Finish:** Standard finish is a #4 satin finish. For a non-slip finish (peened) add suffix X to model number. (Ex. UG3X-A)

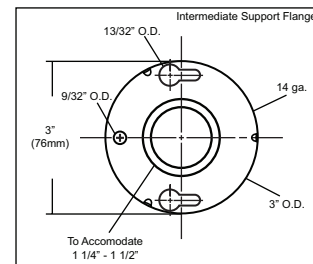
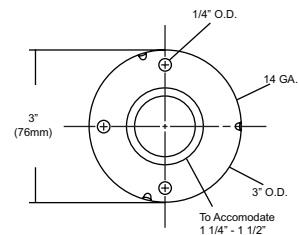
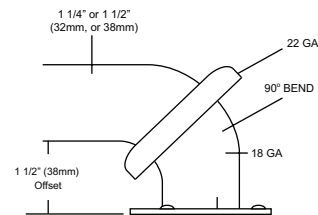
**Flanges:** Snap flanges are fabricated of 3" diameter, 3/8" deep drawn #22 ga stainless steel with #4 satin finish to match tubing. Flanges have dimples that secure over mounting plate.

**Strength:** Bars with a 1 1/2" offset clearance will support loads in excess of 900lbs when properly installed. Bars with greater offsets will support loads up to 250lbs when properly installed.

**Installation:** Before installing grab bars, verify with all state and local codes for requirements on bar diameter and type finish. Recommended mounting heights for grab bars are 33" - 36" centerline above finished floor. All mounting of grab bars when possible should have in wall mounting back plates. Find centerline mounting points and place bar on line making sure to be on center. Transfer mounting points (3 per flange) to wall. Drill pilot holes and secure bar with proper anchors per application. Snap cover over mounting plate.

**Standard Lengths (Other sizes available upon request):** 12", 16", 18", 24", 30", 32", 36", 42", 48", 50", 52", 54", 56"

## FLANGE INFORMATION



## NOTES



# UJ41 Series

## Mop Holder & Hook Strip Combination Unit

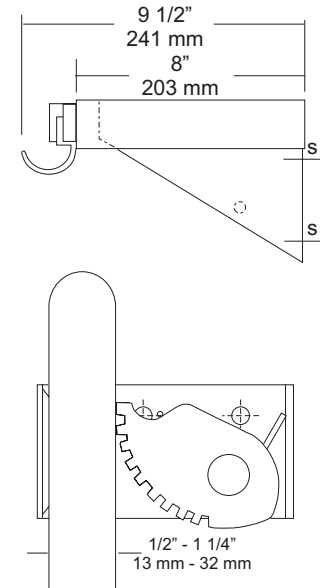
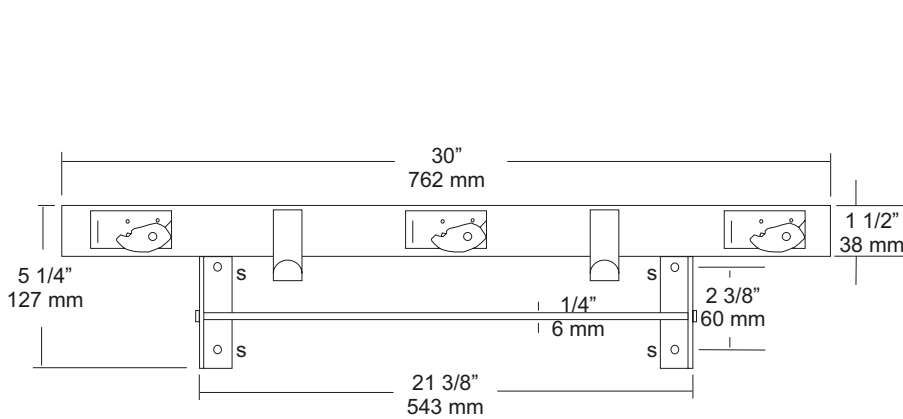
Revision 03/11

JOB #:

ITEM #:

QUANTITY:

MOUNTING	HANDING	TYPE	SIZE	OTHER



### SPECIFICATIONS

- Shelf:** Fabricated of #18 ga stainless steel with a #4 satin finish, 8" deep (203mm) bent down 1 1/2" with 1/2" returns back for rigidity and safety.
- Mop Holders:** UJ19 plated reinforced steel with serrated cam type hard rubber mop or broom holder. Holds handles 1/2" to 1 1/4" diameter.
- Rag Hooks:** Fabricated of #18 ga stainless steel with a #4 satin finish.
- Mounting Brackets:** #16 ga stainless steel with exposed mounting points.
- Drying Rod:** 1/4" diameter stainless steel rod, secured to outside of support/mounting brackets with locking caps.
- Verify Style:**
- UJ41A:** 30"L (762mm) with 3 holders, 2 hooks.
- Rod Length:** 21 3/8" (565mm)
- UJ41B:** 36"L (914mm) with 4 holders, 3 hooks.
- Rod Length:** 27 3/8" (692mm)
- UJ41C:** 42"L (1066mm) with 5 holders, 4 hooks.
- Rod Length:** 33 3/8" (845mm)
- UJ41D:** 48"L (1219mm) with 6 holders, 5 hooks.
- Rod Length:** 39 3/8" (997mm)

### INSTALLATION

Place unit to wall surface making sure unit is level and transfer mounting points. Drill pilot holes and secure unit with proper fasteners per application.

### NOTES



# UX1-B-CV

Flange & Curved Shower Rod

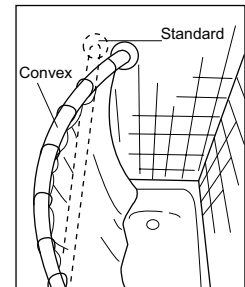
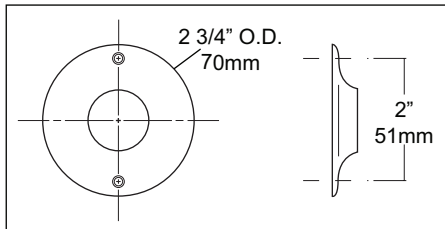
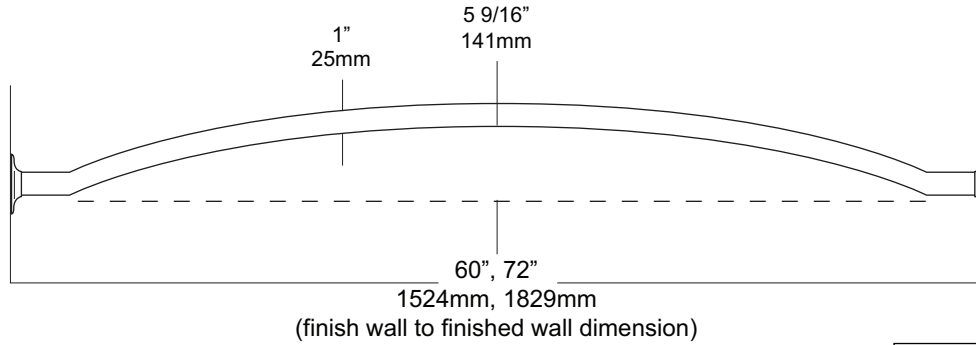
Revision 03/12

JOB #:

ITEM #:

QUANTITY:

MOUNTING	HANDING	TYPE	SIZE	OTHER



### SPECIFICATIONS

**Rods:** Fabricated of #18 ga stainless steel with a #4 satin finish with a 1" outside diameter. Rod configuration is accomplished by a roll former that provides an additional 5 9/16" showering area. (Aprx. 25%)

**Flanges:** 22 ga. exposed mounting stainless steel flanges have a #4 satin finish to match rod. One flange is permanently secured to the rod, the other is loose for mounting purposes. 72"L is the maximum recommended size for this style rod. Overhead supports are not required for this style rod.

**Overall Size:** 1" O.D.

**Standard Sizes:** 60", 72"

### INSTALLATION

Provide an area on wall surface at desired or specified location. Hold flange to wall surface and transfer mounting points. Drill pilot holes. Place flanges on the ends of the rods. Secure flanges to wall surface with proper fasteners per application. Make sure the shower rod is level before securing.

### NOTES

Formerly Model #: UCVS



# UX112-BF

Double Robe Hook

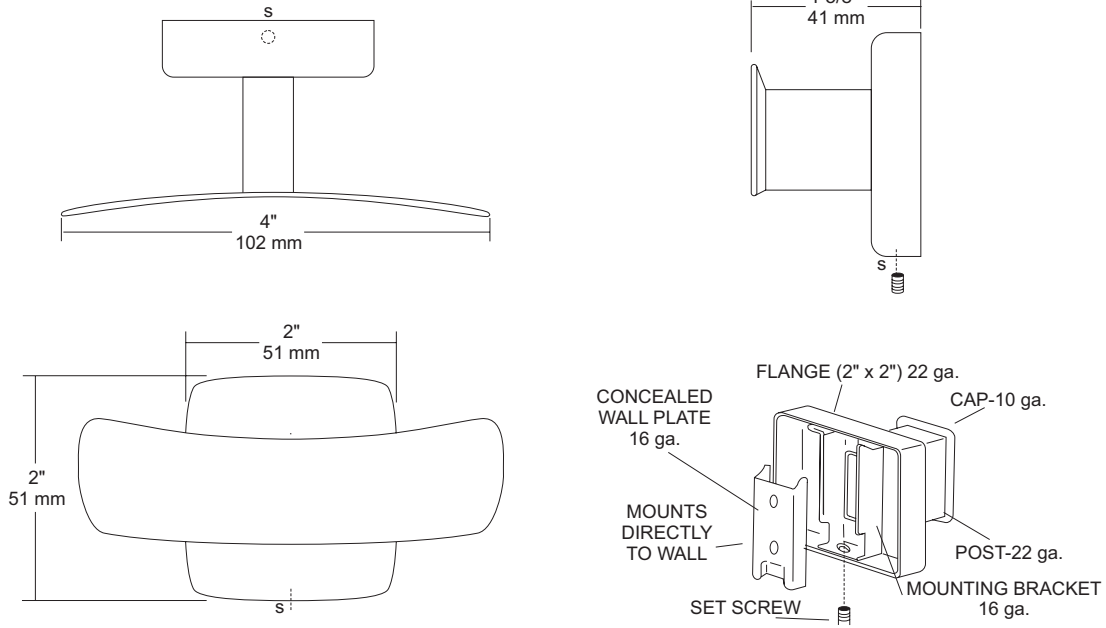
Revision 12/11

JOB #:

ITEM #:

QUANTITY:

MOUNTING	HANDING	TYPE	SIZE	OTHER



## SPECIFICATIONS

**UX Accessories:** All UX bath accessories series are fabricated of stainless steel with a bright or satin finish. Mounting plates are concealed with a snap-on type plate secured by a set screw.

**Hook:** #10 ga stainless steel hook

**Flange:** 2" x 2" flange #22 ga stainless steel.

**Post:** #22 ga stainless steel.

**Mounting Plate:** #16 ga stainless steel concealed wall plate. Set screw secures mounting plate and flange.

**Overall Size:** 4"W x 2"H x 1 5/8"D

**51mm x 51mm x 41mm**

**UX112-SF:** Same as UX112-BF with satin finish.

## INSTALLATION

Provide an area on wall surface at desired or specified location. Place concealed mounting plate on wall surface and transfer mounting points. Drill pilot holes and secure with proper fasteners. Place snap on flange over plate and secure with set screw.

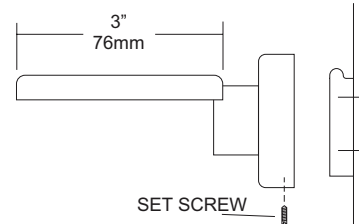
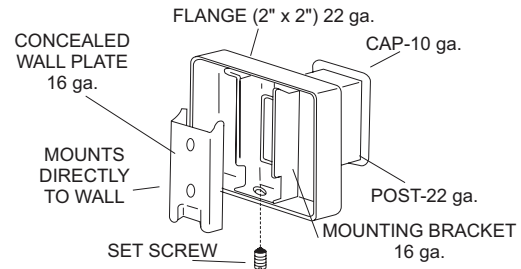
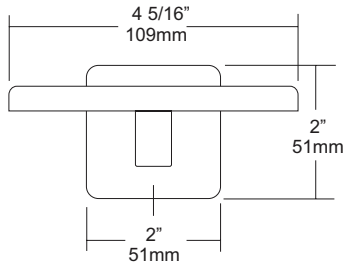
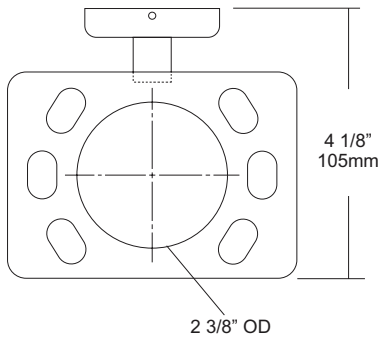
## NOTES

JOB #:

ITEM #:

QUANTITY:

Mounting	Handing	Type	Size	Other



### SPECIFICATIONS

**UX Accessories:** All UX bath accessories series are fabricated of stainless steel with a bright or satin finish. Mounting plates are concealed with a snap-on type plate secured by a set screw.

**Flange:** 2" x 2" flange #22 ga stainless steel.

**Post:** #22 ga stainless steel.

**Mounting Plate:** #16 ga concealed wall plate. Set screw secures mounting plate and flange.

**Tumbler Holder:** #22 ga stainless steel.

**Overall Size:** 4 5/16"W x 2"H x 4 1/8"D

**110mm x 51mm x 105mm**

**UX120-SF:** Same as UX120-BF with satin finish.

### INSTALLATION

Provide an area on wall surface at desired or specified location. Place concealed mounting plate on wall surface and transfer mounting points. Drill pilot holes and secure with proper fasteners. Place snap on flange over plate and secure with set screw.

### NOTES





**UX122-BF**  
Soap Dish

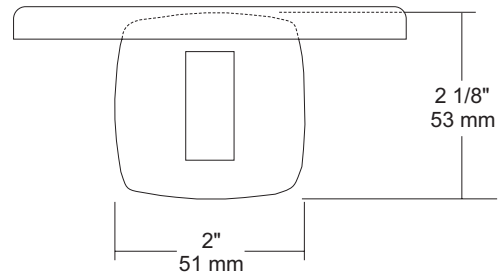
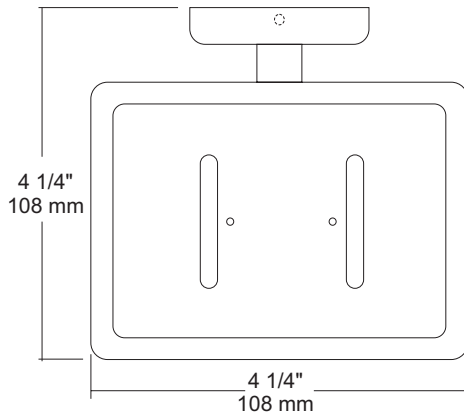
Revision 10/11

JOB #:

ITEM #:

QUANTITY:

MOUNTING	HANDING	TYPE	SIZE	OTHER



**SPECIFICATIONS**

**UX Accessories:** All UX bath accessories series are fabricated of stainless steel with a bright or satin finish. Mounting plates are concealed with a snap-on type plate secured by a set screw.

**Flange:** 2" x 2" flange #22 ga stainless steel.

**Post:** #22 ga stainless steel.

**Mounting Plate:** #16 ga concealed wall plate. Set screw secures mounting plate and flange.

**Soap Dish:** #22 ga stainless steel with drain holes

**Overall Size:** 4 1/4"W x 2 1/8"H x 4 1/4"D

**108mm x 54mm x 108mm**

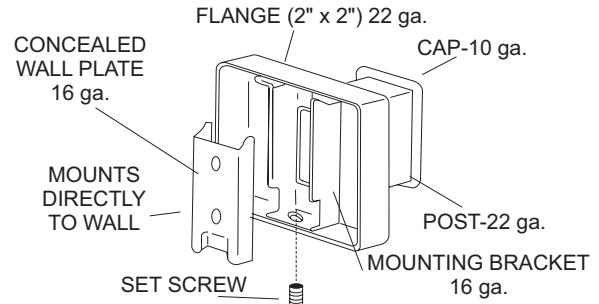
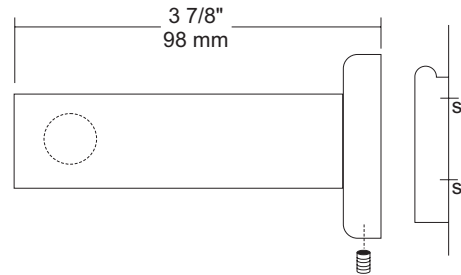
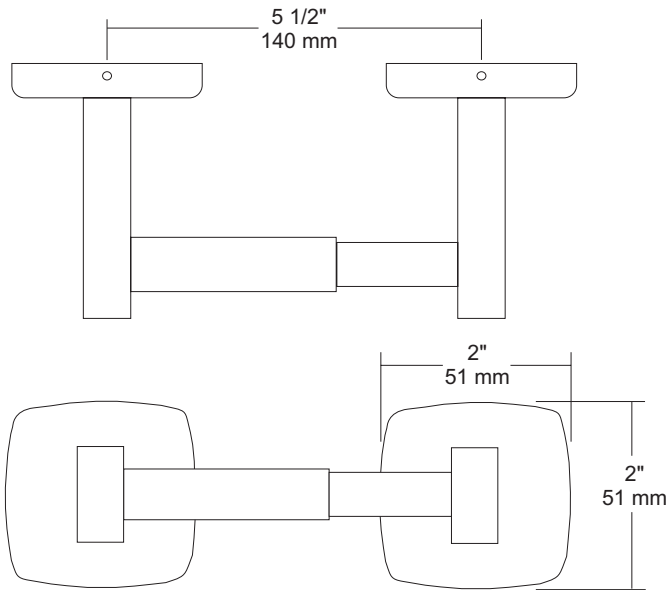
**UX122-SF:** Same as UX122-BF with satin finish.

**INSTALLATION**

Provide an area on wall surface at desired or specified location. Place concealed mounting plate on wall surface and transfer mounting points. Drill pilot holes and secure with proper fasteners. Place snap on flange over plate and secure with set screw.

**NOTES**

MOUNTING	HANDING	TYPE	SIZE	OTHER



### SPECIFICATIONS

**UX Accessories:** All UX bath accessories series are fabricated of stainless steel with a bright or satin finish. Mounting plates are concealed with a snap-on type plate secured by a set screw.

**Flange:** 2" x 2" flange #22 ga stainless steel.

**Post:** #22 ga stainless steel.

**Mounting Plate:** #16 ga concealed wall plate. Set screw secures mounting plate and flange.

**Spindle:** Spring loaded, chrome plated plastic.

**Optional U007 Theft Resistant Adapter:** Prevents spindle from being removed until roll has been depleted.

**Overall Size:** 7 1/2" W x 2"H x 1 5/8"D

**51mm x 51mm x 43mm**

**UX141-SF:** Same as UX141-BF with satin finish

### INSTALLATION

Provide an area on wall surface at desired or specified location. Place concealed mounting plate on wall surface and transfer mounting points. Drill pilot holes and secure with proper fasteners. Place snap-on flange over plate and secure with set screw. Centerline space between posts is aprx. 5 1/2"W. Repeat same steps for other post. Place a roll of tissue on spindle and place in posts before securing the covers down securely. If roll spins freely, secure post with set screw. All toilet tissue dispensers must have a non-control delivery to meet ADA code. (4.16)

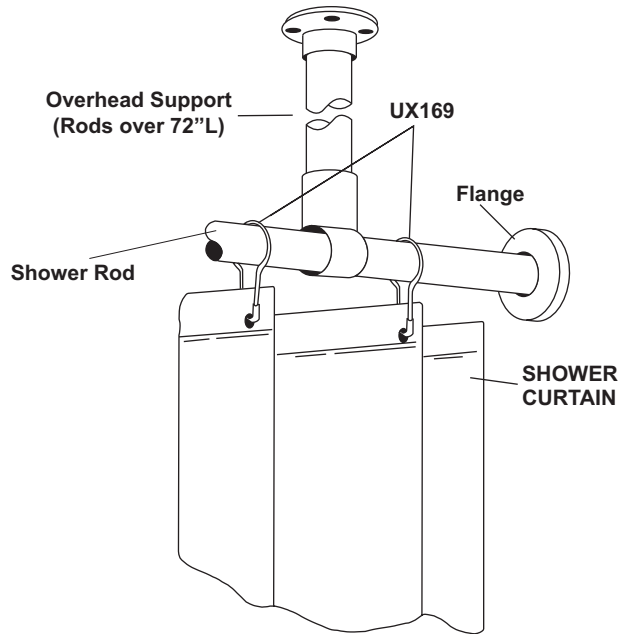
### NOTES

JOB #:

ITEM #:

QUANTITY:

MOUNTING	HANDING	TYPE	SIZE	OTHER



SPECIFICATIONS	INSTALLATION
----------------	--------------

**Bacteria & Mildew Resistant:** Heavy duty vinyl film (8 mil) that is flame retardant, durable and waterproof. Microbiotic KV-33 is an integral part added to the fabrication of this curtain that can be laundered repeatedly without losing this barrier against bacteria, fungus and mildew. KV-33 is a durable bacteriostat, mildewstat and fungistat that will provide protection for as long as you use this style curtain. It will retard the growth of organisms, thereby inhibiting odors caused by decaying bacteria.

**Design:** To insure the ultimate in bacteria free curtain, there are no side hems to hinder the flow-off of soap and water. This also makes cleaning easier. The heading is reinforced with a ten gauge vinyl film with rust proof anodized eyelets spaced 6" apart.

**Cleaning:** Sponge with warm mild soap and rinse with clear water.

**Machine washing:** Relatively cool water temp not to exceed 120 degrees F. DO NOT USE DETERGENTS. Air dry at low temp. Colors: Standard stock color is white. Special order for other colors are available on request.

**\*UX1-V/UX2-V:** Overhead s/s supports for oversized shower rods. (For shower rods over 72" in length an overhead support is recommended)

**UX1-V:** 1" OD shower rods.

**UX2-V:** 1 1/4" OD shower rods.

Recommended: UX169 stainless steel shower curtain hooks to connect to AJW shower curtain rods. Various types of flanges are available to secure rod and curtain to mounting surface (exposed and concealed).

Measuring Curtains: Curtains are measured W x H. The same curtain will fit a 1 or 1 1/4" diameter rod.

**NOTES**

Formerly Model #: 250P



# UX2J

Flange & Shower Rod

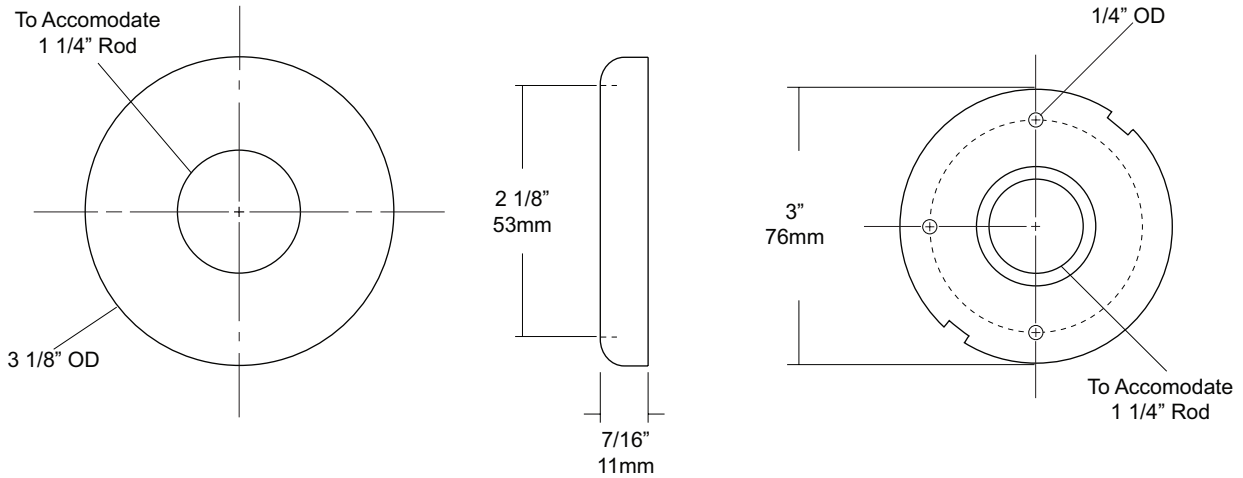
Revision 11/11

JOB #:

ITEM #:

QUANTITY:

MOUNTING	HANDING	TYPE	SIZE	OTHER



### SPECIFICATIONS

**Concealed Mounting Plate:** #14 gauge stainless steel with three (3) mounting points to secure to mounting surface and three (3) dimples that secure snap cover escutcheon.

**Snap Cover:** Fabricated of #22 gauge stainless steel with a #4 satin finish. Cover snaps over mounting plate to provide a concealed mounting application.

**Shower Rod:** Fabricated of 18 gauge stainless steel with a #4 satin finish.

**UX2:** 1 1/4" outside diameter

### INSTALLATION

Provide an area on wall surface at desired or specified location. Hold flange to wall surface and transfer mounting points. Drill pilot holes. Place flanges on the ends of the rods. Secure flanges to wall surface with proper fasteners per application.

### NOTES



# UX938

Retractable Clothesline

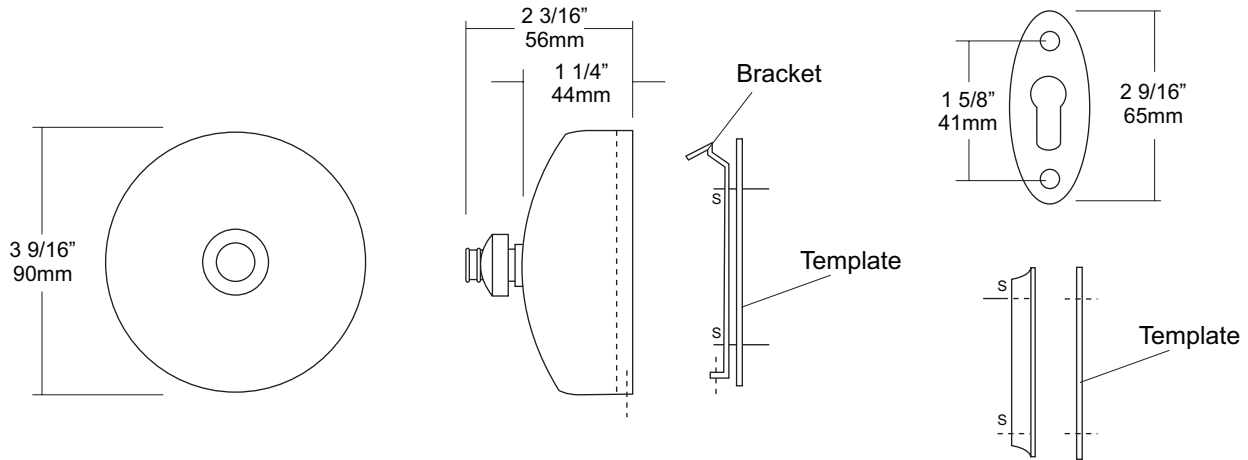
Revision 03/11

JOB #:

ITEM #:

QUANTITY:

MOUNTING	HANDING	TYPE	SIZE	OTHER



### SPECIFICATIONS

**Shell:** Fabricated of highly polished stainless steel. Mounting bracket and back plate are fabricated of heavy gauge stainless steel. Back plate is equipped with a spring actuated reel and vinyl cord that will extend 85' L. Locking knob on face of cover is chrome plated and acts as a securing point for clothes line.

**Overall Size:** 3 9/16"OD x 2 3/16"D  
89mm x 57mm

### INSTALLATION

Place templates for clothes line and mounting bracket on mounting surface at desired or specified location. Transfer mounting points and drill pilot holes. Secure units with proper fasteners for each application. (Fasteners not included) Clothes line has a maximum length of 85', secure mounting bracket to accommodate this distance.

### NOTES

Formerly Model #: U938