

date  
projectname  
attn  
from  
fax  
email  
phone

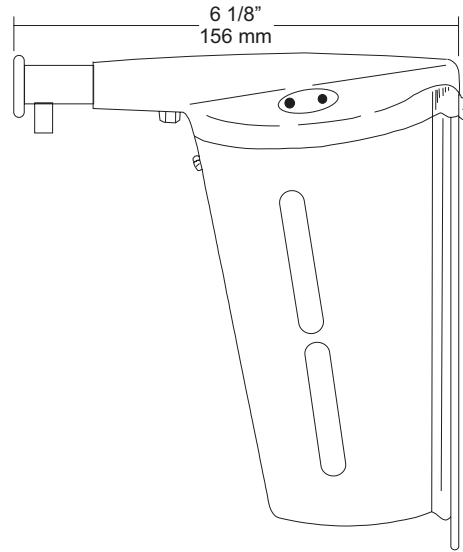
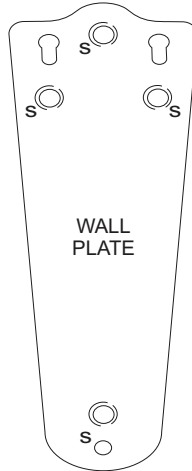
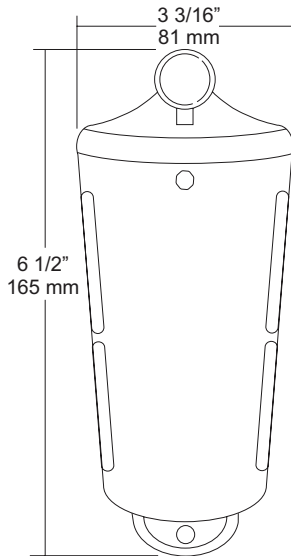
03072022  
FF-PJO  
BAA  
BAA  
DOORS@LEWISMILLWORKMIAMI.COM  
3052540014

JOB #:

ITEM #:

QUANTITY:

MOUNTING	HANDING	TYPE	SIZE	OTHER



### SPECIFICATIONS

**Dispenser:** Fabricated of chrome plated brass.

**Valve:** Push in type valve is fabricated of chrome plated ABS material with a stainless steel return spring. Valve is located above soap level to assure a drip free operation. Available in liquid or lather style.

**Globe:** Clear, high impact, corrosion resistant container encased in highly polished stainless steel container with slotted sides to allow a constant fluid level check.

**Mounting Plate:** Theft resistant chrome plated steel wall plate.

**Filler Cap:** Theft resistant filler cap is equipped with special service key and secured by means of a small chain.

**Overall Size:** 3 3/16"W x 6 1/2"H x 6 1/8"D  
**81mm x 165mm x 156mm**

**Capacity:** 12 fluid oz.

### INSTALLATION

Provide an area on wall surface at desired or specified location. Hold mounting plate to surface making sure unit is level and transfer mounting points. Secure plate with proper fasteners per application. Two top screws will set dispenser in place on mounting plate. Secure bottom of dispenser to plate with supplied fastener. Remove service cap and fill dispenser with proper soap. Prime dispenser until soap flows freely.

\*It is not recommended to mount any soap dispenser on mirrors

\*\*For best performance, use pre-mixed low concentrate solutions. Dispensers should have periodic maintenance performed to insure life of dispenser. Rinse out globe and valve with warm water to prevent sludge buildup.

Preventative Maintenance: Each dispenser should be flushed out aprx. Every 30 days with warm water to prevent valve from; clogging with old soap, Abrasive cleaners should not be used when wiping down dispenser.

### NOTES

Formerly Model #: U120L



**U580**  
Partition Mounted Sanitary Napkin  
Disposal

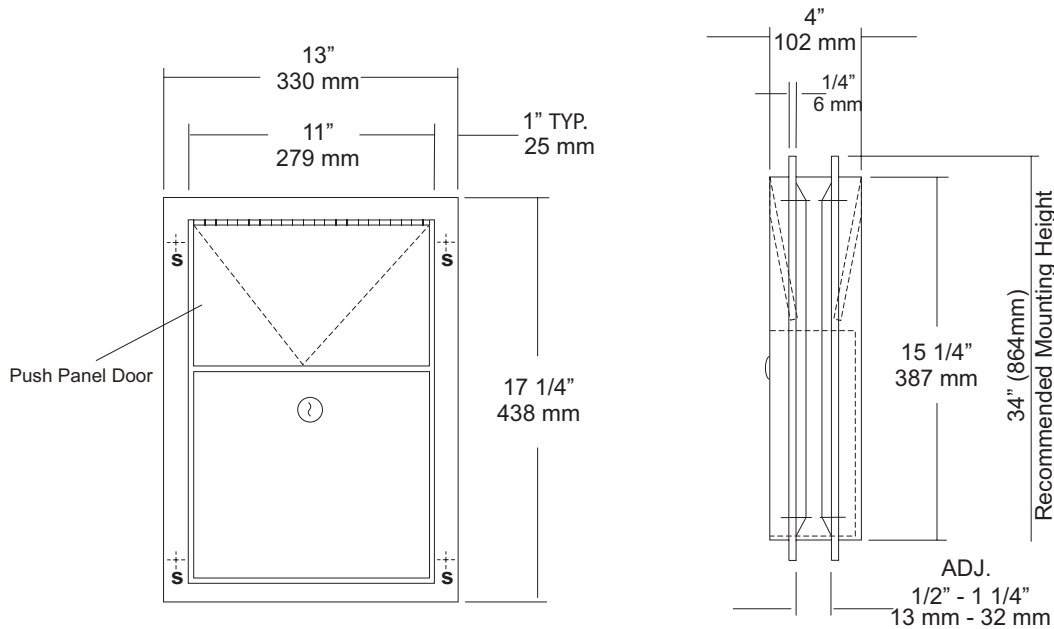
Revision 09/13

JOB #:

ITEM #:

QUANTITY:

MOUNTING	HANDING	TYPE	SIZE	OTHER



**SPECIFICATIONS**

**Body:** Fabricated of #22 ga stainless steel, #4 satin finish.  
**Flanges:** Fabricated of #22 ga stainless steel, drawn one-piece construction with 1/4" returns to wall surface. One flange is welded to body the other is adjustable to fit 1/2" - 1 1/4" thick partitions. (No miters or welds).  
**Push Panels:** Fabricated of #22 ga stainless steel self closing push panel door. \*International graphic symbol optional\*  
**Waste:** #22 ga stainless steel removable from one side with pin tumbler type lock securing in place. Optional finger grip in lieu of lock  
**Locks:** Pin tumbler locks keyed like all other AJW cabinets.  
**Hinges:** Full length, heavy duty, stainless steel piano type.  
**Overall Size:** 13"W x 17 1/4"H x 4"D  
**330mm x 438mm x 108mm**  
**Wall Opening:** 11 1/2"W x 15 3/4"H  
**292mm x 400mm**  
**Capacity:** 1.5 gallons (.2 cu ft)  
**NDL-13-50:** Waxed disposable liners. (50 per Case)  
**U580-PW:** Same as U580 with plastic removable waste.

**INSTALLATION**

Provide a rough partition opening 11 1/2"W x 15 3/4"H. Remove adjustable flange and place unit into opening. Secure welded flange to partition at four points making sure unit fits flush and is level. Place adjustable flange over unit and secure to partition the same way as the fixed flange. Be sure the proper fasteners are used for each application.

**NOTES**



# U601

## Folded Towel & Waste Combination Unit

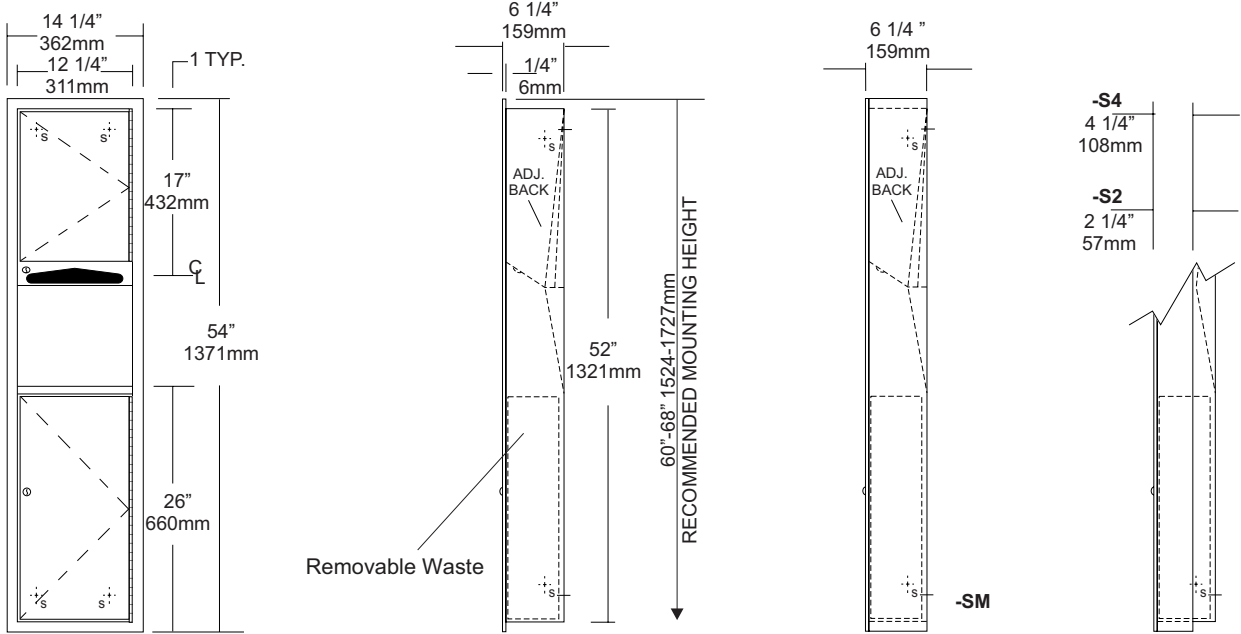
Revision 03/11

JOB #:

ITEM #:

QUANTITY:

MOUNTING	HANDING	TYPE	SIZE	OTHER



SPECIFICATIONS	INSTALLATION
----------------	--------------

**Body:** Fabricated of #22 ga stainless steel with a #4 satin finish.

**Flange:** Fabricated of #22 ga stainless steel with #4 satin finish and 1/4" returns to wall, no miters or welds.

**Cabinet Back:** Fabricated of stainless steel formed for rigidity with multiple welds to cabinet body.

**Cabinet Door:** Fabricated of #22 ga stainless steel with #4 satin finish with full length door stop.

**Towel Dispenser:** Dispensing area has hemmed edges to prevent injury and towel tearing. Adjustable back allows c-fold and single-fold towels to be dispensed.

**Removable Waste:** Removable waste, with heavy duty handle for easy removal.

**Hinges:** Heavy duty, full length, stainless steel piano type hinge.

**Lock:** Pin tumbler commercial quality keyed like all other AJW cabinets.

**Collars:** Fabricated of #22 ga #4 satin finish stainless steel finished to match cabinet body

**Overall Size:** 14 1/4"W x 54"H x 6 1/4"D  
 362mm x 1372mm x 159mm

**Wall Opening:** 12 3/4"W x 52 1/2"H x 6"D  
 324mm x 1334mm x 152mm

**U601-S2:** semi-recessed with 2" collar 4" wall opening 102mm

**U601-S4:** semi-recessed with 4" collar 2" wall opening 51mm

**U601-SM:** Surface mounted with full skirt.

**Towel Capacity:** 600 c-fold or 800 multifold Or 1200 singlefold

**Waste Capacity:** 6 gallons (.80 cu ft)

**Options:**

-P: Rigid plastic waste insert

Coordinate installation with contractor and architect to avoid interference with pipes vents etc. Provide a rough wall opening 12 3/4"W x 52 1/2"H. Wall opening depth will depend on style mounting. If a collar is required, slip over the back of the unit. Remove waste & install unit in opening. Make sure cabinet will sit flush in wall and secure with proper fasteners per application. Install waste back into cabinet and load paper towels.

When cleaning cabinet, use a soft cloth, a non-abrasive or chloric solutions.

### NOTES



# U704 Series

## Fixed Tilt Angle Frame Mirror

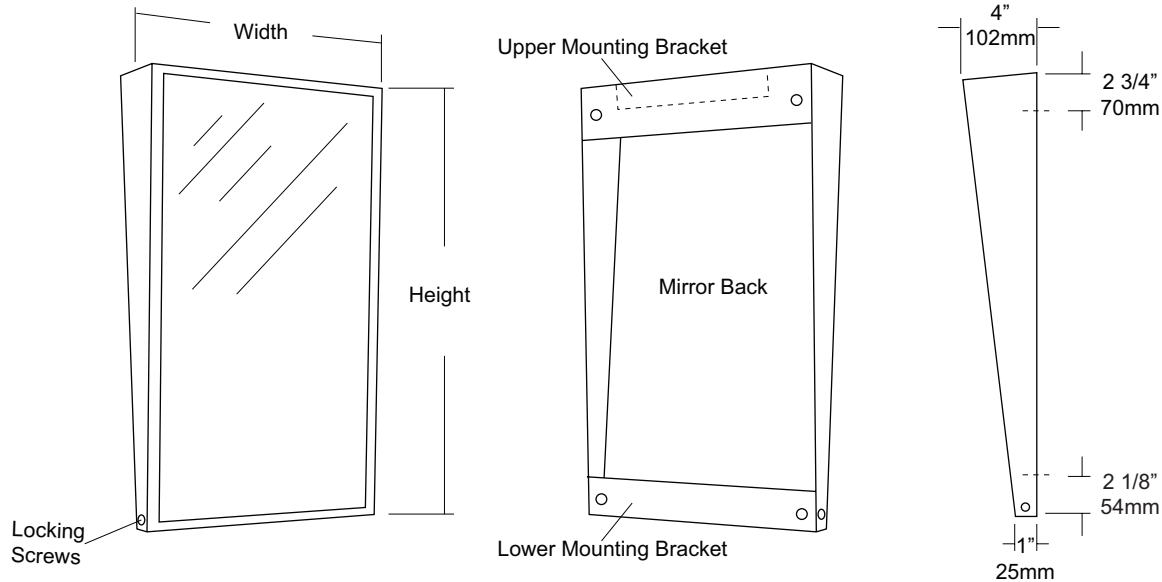
Revision 11/15

JOB #:

ITEM #:

QUANTITY:

MOUNTING	HANDING	TYPE	SIZE	OTHER



### SPECIFICATIONS

**Frame:** Fabricated of #18 ga stainless steel, #4 satin finish. Stainless steel frame is fabricated with welded mitered corners that are ground and polished smooth. Mirror extends out 4" at top and tapers to 1" at bottom.

**Mirror:** 1/4" thick type 1 transparent flat type, class 1 - clear glass mirrors. Mirror is coated with silver and sealed with a uniform electrolytic copper plating, along with two coats of paint for added protection. Mirrors are guaranteed against silver spoilage for a period of 15 years. Mirrors conform to ASTM C1036 and ASTM C1503-R8.

**Filler:** 3/16" thick full size, shock absorbing, water resistant, non-abrasive polyethylene padding protects all concealed mirror surfaces

**Brackets:** Mounting brackets are fabricated of #20 ga pre-plated, galvanized steel. Lower bracket has two (2) side mounting points that allow frame to be secured to bracket.

**Standard Sizes Available (W x H):** 16"x24", 16"x30", 18"x24", 18"x30", 18"x36", 24"x30", 24"x36"

#### Options:

**LG:** Laminated Glass

**LX:** Polycarbonate

**PM:** Plastic Acrylic

**T:** Tempered Glass

**VC:** Vinyl Clad (Safety Glass)

**8B:** #8 Reflective Stainless Steel

\*Stainless steel mirrors reflect images in different optic quality than plate glass. There will be a slight distortion which increases proportionately with the mirror size. Therefore, AJW Architectural Products™ cannot be held responsible for quality of image.

\*\* Mirrors are always ordered Width x Height

\*\*\* Recommended max size for 8B mirrors: 72" x 47-1/2"

\*\*\*\* Framed mirrors are fabricated to a tolerance of (+/-) 1/8"

\*\*\*\*\* Mirrors conform to Federal Specifications DD-M-00411b & DD-g-541D

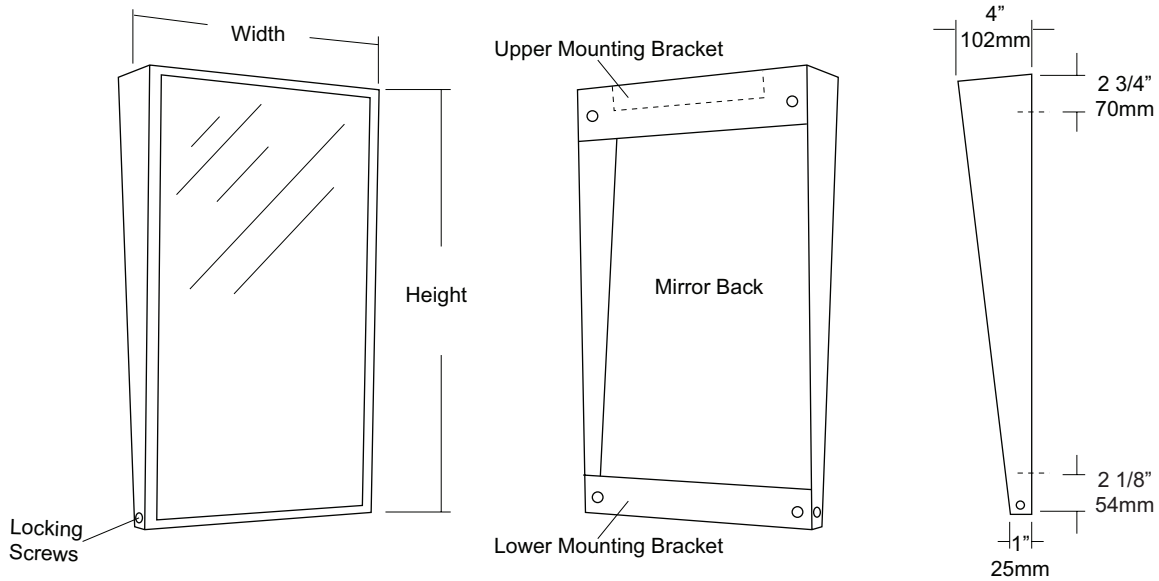
### INSTALLATION

Coordinate installation with architect / contractor for specific mounting location and height for each mirror application. Check all state and local codes for installation requirements. Remove hanger brackets and transfer mounting points to wall surface. Secure with proper fasteners for each application. Slide mirror frame over brackets and secure in place. Secure frame to bracket. Fillers are available if mirrors are mounted above and below tile line. (U004 Filler) Filler material will match mirror frame to form a one piece construction.

To meet ADA Code, bottom edge of reflective surface can be no higher than 40" above finished floor. (4.19.6) Full length mirrors may be used for universal application when installed in correct locations.

Abrasive cleaners & chloric solutions should not be used on mirrors. Discoloring or scratching may occur on frame and reflective surface.

### NOTES



**INSTALLATION**

Coordinate installation with architect / contractor for specific mounting location and height for each mirror application. Check all state and local codes for installation requirements. Remove mirror back and transfer mounting points to wall surface. Secure back with proper fasteners for each application. Slide mirror down over frame and snap in place. Secure frame to back. Fillers are available if mirrors are mounted above and below tile line. (U004 Filler) Filler material will match mirror frame to form a one piece construction.

To meet ADA Code, bottom edge of reflective surface can be no higher than 40" above finished floor. (4.19.6) Full length mirrors may be used for universal application when installed in correct locations.

**CARE & CLEANING**

Wipe mirrors with a soft cloth, taking special care to rub stainless steel frames with the grain to avoid scratching. Do not use abrasive cleaners containing chloric solutions on stainless steel frames. Glass Plus or other window cleaning products are ideal.