

date
projectname
attn
from
fax
email
phone

12/19/2016
126 Pleasant St
Shelly
Shelly
shelly@hshsupply.com
4124436704



U126 Soap Dispenser

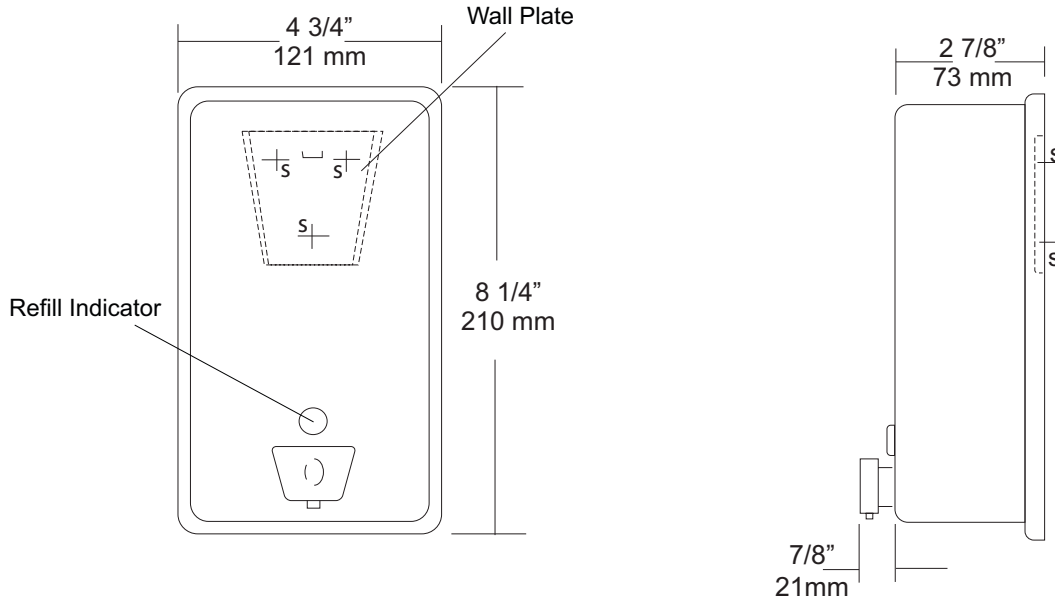
Revision 11/14

JOB #:

ITEM #:

QUANTITY:

MOUNTING	HANDING	TYPE	SIZE	OTHER



SPECIFICATIONS

Soap Tank: Fabricated of #20 ga stainless steel, #4 satin finish, fully welded one-piece construction.

Valve: All purpose antibacterial soap valve cylinder, black molded plastic push style valve that takes less than 5 lbs of force and one hand to operate complies with barrier free guidelines when mounted at proper height.

Viewer: Clear plastic window allows a constant fluid level check.

Concealed Mounting Plate: Fabricated of heavy gauge stainless steel.

Filler Cap: Fabricated of stainless steel, hinged to allow easy servicing, secured with special key that creates a vandal resistant dispenser.

Overall Size: 4 3/4"W x 8 1/4"H x 3 3/4"D (wall to valve)
121mm x 210mm x 95mm

Capacity: 40 oz.

Recommend type soaps without chloric solutions for proper operation.

INSTALLATION

Provide an area on mounting surface at desired or specified location. Secure concealed mounting plate to wall surface with proper fasteners. Slide dispenser down over mounting plate and secure by means of set screw located inside tank. Fill unit with proper soap. Close lid and secure with special key. Test valve for proper operation.

*It is not recommended to mount any soap dispenser on mirrors

**For best performance, use pre-mixed low concentrate solutions. Dispensers should have periodic maintenance performed to insure the life dispenser. Rinse out globe and valve with warm water to avoid sludge buildup.

Preventative Maintenance: Each dispenser should be flushed out aprx. Every 30 days with warm water to prevent valve from clogging with old soap. Do not use abrasive cleaners to clean dispenser.

NOTES



U199EA

Roll Towel Dispenser

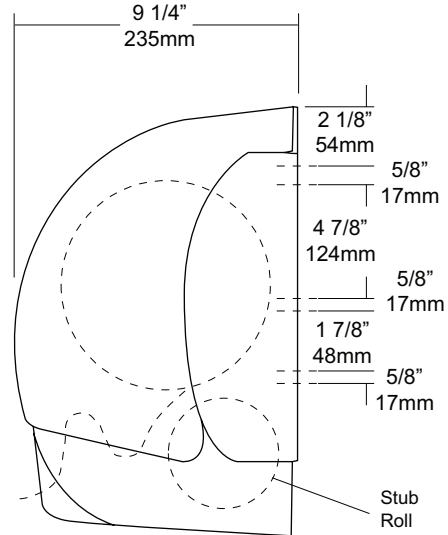
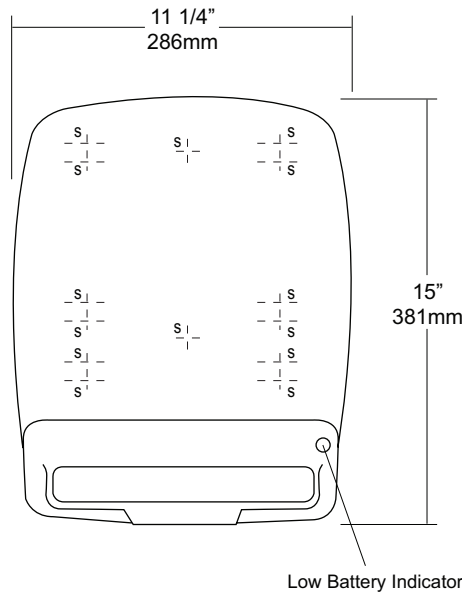
Revision 01/12

JOB #:

ITEM #:

QUANTITY:

MOUNTING	HANDING	TYPE	SIZE	OTHER



SPECIFICATIONS

Cabinet Body: Fabricated of high impact plastic.

Cover: Fabricated oh high impact translucent plastic. Cover is secured with a special keyed lock.

Mechanism: Internal mechanism is fabricated of high impact plastic operated by an automatic sensor with auto transfer system

Automatic Sensor: Is operated by four (4) D-cell batteries that are not included. After batteries and paper has been properly loaded, pass hands through sensor range to activate motor. After the unit has 30 seconds to calibrate, It is ready to dispense paper. It takes aprx. 6 dispenses to adjust to the proper paper length. After the sensor range has been interrupted, paper will not be dispenser until the sensor range has been cleared to reset. Three pre-length settings for paper and three, time delay settings for dispensing paper.

Overall Size: 11 1/4"W x 15"H x 9 1/4"D

Capacity: One standard size roll of 8" or 9" wide. (Use only non-perforated towels). One stub roll up to 2 3/4" OD

Power Requirements: The unit operates with four (4) "D" size alkaline batteries only. Other type of batteries are not recommended

INSTALLATION

Open cover and hold unit on wall surface at desired or specified location. Transfer mounting points to wall surface and provide pilot holes. Install batteries per instructions and snap protective cover over batteries. Secure cabinet to wall surface with proper anchoring devices per application.

Install paper towel per directions inside cabinet and secure cover, checking for proper operation. This hands free dispensing method will minimize cross contamination of the remaining towels inside the cabinet.

NOTES



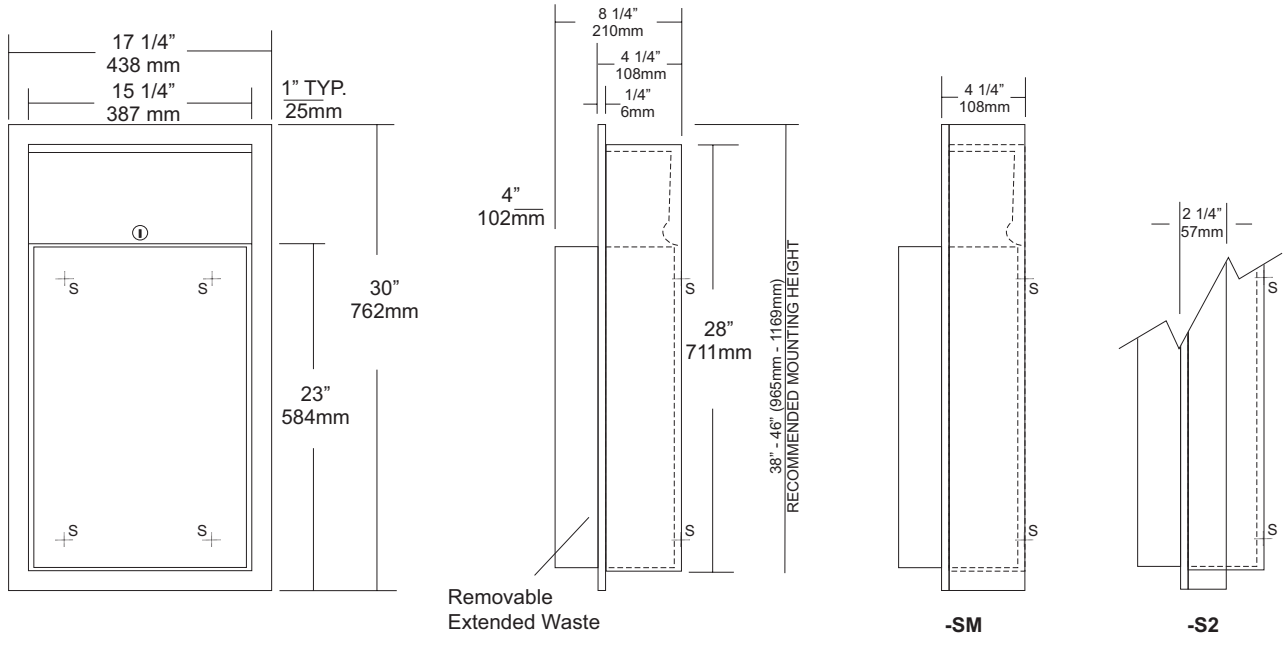
U410

Semi-Recessed Waste Receptacle

Revision 03/11

JOB #:
ITEM #:
QUANTITY:

MOUNTING	HANDING	TYPE	SIZE	OTHER



SPECIFICATIONS

Body: Fabricated of #22 ga stainless steel with #4 satin finish on all exposed areas.

Flange: Fabricated of #22 ga stainless steel finished to match cabinet. One piece construction without miters or welds with 1/4" returns to wall surface for maximum strength.

Back: Fabricated of stainless steel formed for rigidity with multiple welds to cabinet body to form a one-piece construction.

Removable Waste: #22 ga stainless steel with #4 satin finish with hemmed edges and radius corners. Hook tabs allow liner to be installed are an integral part of waste can. Waste is secured in place by tumbler lock and bottom hanger. (12 gallon capacity)

Lock: Pin tumbler, commercial quality, keyed like all other AJW cabinets.

Collars: #22 ga stainless steel, sized & finished to match cabinet. (Used for surface mounting & semi-recessing)

Overall Size: 17 1/4"W x 30"H x 8 1/4"D (4" extended waste)
438mm x 762mm x 203mm

Wall Opening: 15 3/4"W x 28 1/2"H x 4"D
400mm x 724mm x 102mm

U410-S2: semi-recessed 2" collar(2" wall open.,51mm)

U410-SM: Surface mounting collar

Waste Capacity: 12 gallons (1.6 cu ft)

Options:

- VL1: Reusable vinyl liner
- CV: Covered Waste

INSTALLATION

Coordinate installation with architect and contractor. Provide a wall opening 15 3/4"W x 28 1/2"H . Wall depth will vary if collars are required. Remove waste from cabinet and insert into opening. Secure unit with proper fasteners for each application. Make sure each unit is plumb and true. Secure unit in cabinet by locking in place by tumbler lock. Liners may be installed. (VL1 Re-usable liner)

If semi-recessed cabinets are required see specification for wall depth's.

NOTES



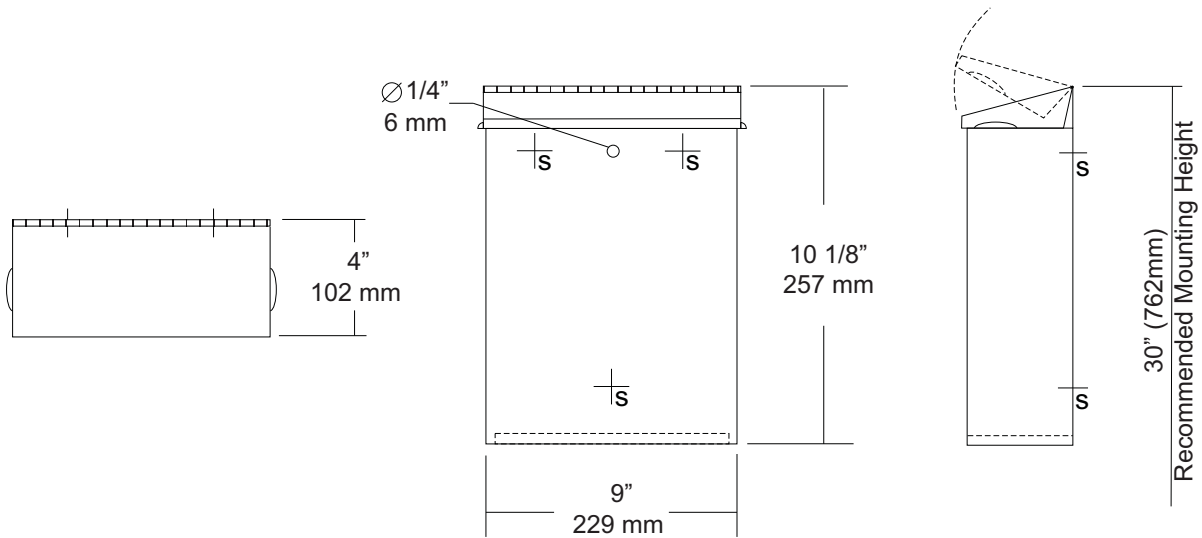
U591
Surface Mounted Sanitary Napkin
Disposal
Revision 1/14

JOB #:

ITEM #:

QUANTITY:

MOUNTING	HANDING	TYPE	SIZE	OTHER



SPECIFICATIONS

Cabinet Body: Fabricated of #22 ga stainless steel with #4 satin finish. Seamless construction with radius and hemmed edges.
Cabinet Back: Stainless steel welded to cabinet body with key hole mounting points.
Cover: Fabricated of #22 ga stainless steel #4 satin finish with embossed handles on each side and sloped top.
Hinge: Heavy duty, full length, stainless steel piano type hinge.
Overall Size: 9"W x 10 1/8"H x 4"D
229mm x 257mm x 102mm
Capacity: 1.6 gallons (.2 cu ft)
NDL-13-50: Waxed disposable liners. (50 per Case)

INSTALLATION

Provide an area at desired or specified location. Place unit on surface and transfer mounting points. Drill pilot holes and secure with proper fasteners. Install waxed liner.

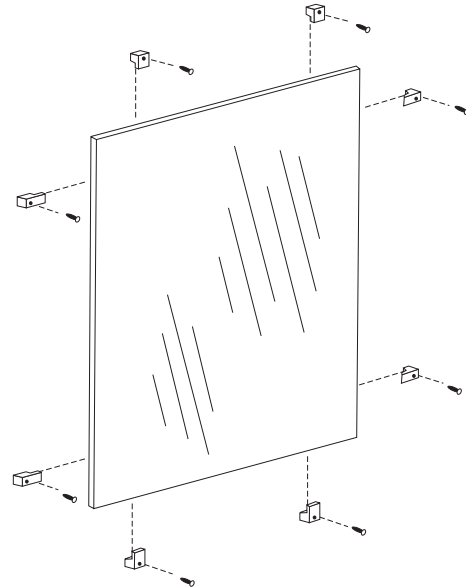
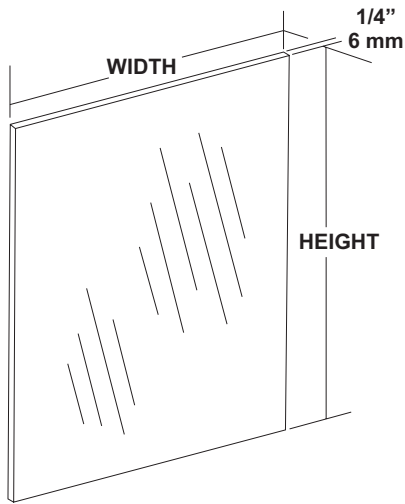
NOTES

JOB #:

ITEM #:

QUANTITY:

MOUNTING	HANDING	TYPE	SIZE	OTHER



SPECIFICATIONS

Mirror: 1/4" thick type 1 transparent flat type, class 1 - clear glass mirrors. Mirror is coated with silver and sealed with a uniform electrolytic copper plating, along with two coats of paint for added protection. All frameless mirrors have polished edges. Mirrors are guaranteed against silver spoilage for a period of 15 years. Mirrors conform to ASTM C1036 and ASTM C1503-R8.

Recommended size one piece glass is 96" x 96"

Optional Surfaces and Sizes:

- PM: Plastic Mirrors (96" x 48" max size)
- LG: Laminated Glass (96" x 48" max size)
- BE: Beveled Edge Mirror: 1/4" plate glass with 1/2" Beveled Edge (72" x 60" max size)
- VC: Vinyl Clad (96" x 96")

***NOTE:** For oversized mirrors, recommend using U717 "J" mold style mirrors (Bottom, Top & Bottom or 4 sided) See U717 tech data sheet for more information.

Mounting Options:

- CL: Lucite Mirror Clips: (6 clips per pack)
- SCL: Stainless Steel Clips: (6 clips per pack)
- BCL: Lucite Mirror clips for beveled edge mirrors.

These Mirrors are always ordered Width x Height

Frameless mirrors are fabricated to a tolerance of ± 1/16"
Mirrors conform to Federal specification DD-M-00411b.

INSTALLATION

Provide an area on wall surface at desired or specified location. Select the proper clips for mounting. Mount the bottom clips approx. 1" in from each side of the overall width of the mirror. Place a level across the clips to make sure mirror will be level. Place glass on clips and check with level again. Follow same procedures for other clips. For oversized glass, it is recommended to have a minimum of a bottom "J" mold style mounting frame.

***Note:** Recommend 8 sq ft of glass per 1 pack of plastic clips. 8 sq ft of glass for stainless clips. The bottom reflective surface edge must be mounted 40" above finished floor to comply with ADA code, 4.19.6.

NOTES



U841 Toilet Tissue Dispenser

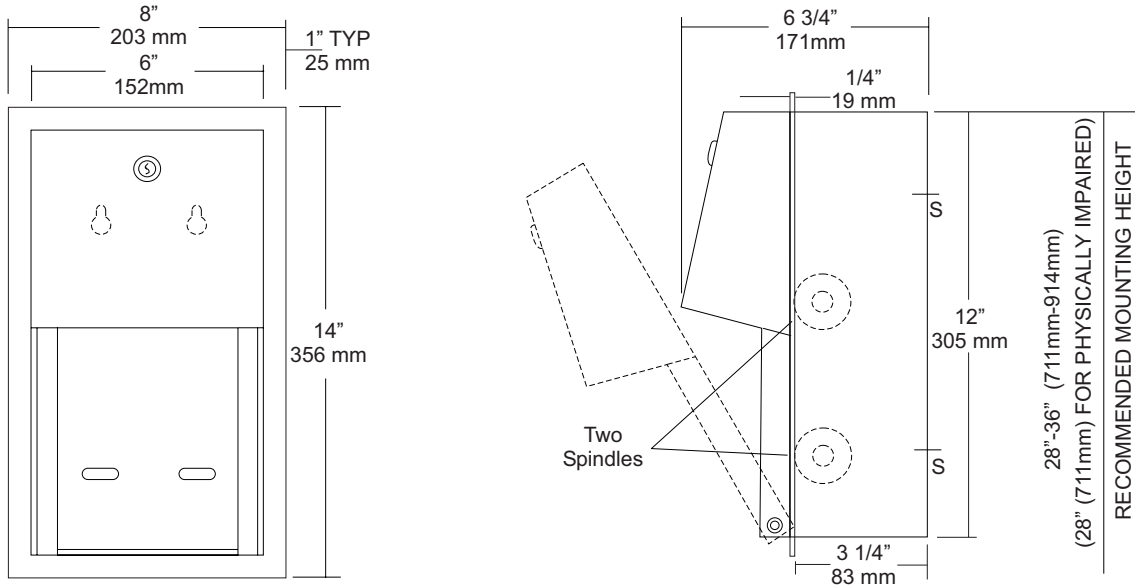
Revision 03/11

JOB #:

ITEM #:

QUANTITY:

MOUNTING	HANDING	TYPE	SIZE	OTHER



SPECIFICATIONS

- Body:** Fabricated of #22 ga stainless steel with #4 satin finish. Concealed inner dispensing mechanism is #18 ga stainless steel.
- Back:** Fabricated of #18 ga stainless steel with multiple welds to cabinet body forming a one piece construction.
- Hood:** Fabricated of #18 ga stainless steel finished to match cabinet body. Hood is secured with stainless steel hinge rivets to cabinet body. Top roll of tissue will not drop down unless the bottom roll has been depleted. When unit is closed, this will provide a theft resistant, non-control operation and reduce vandalism.
- Flange:** One piece construction without miters or welds fabricated of #22 ga stainless steel, with #4 satin finish to match cabinet.
- Locks:** Pin tumbler, commercial quality locks keyed like all other AJW cabinets.
- Spindles:** (U005) Fabricated of one-piece molded high impact black ABS material.
- Overall Size:** 8"W x 14"H x 6 3/4"D
203mm x 356mm x 171mm
- Wall Opening:** 6 3/8"W x 12 3/8"H x 3 5/8"D
162mm x 314mm x 93mm
- Capacity:** Two standard rolls with a 5 1/4" (133mm) OD.

INSTALLATION

Coordinate installation with architect or contractor to avoid pipes, vents, etc. Provide a rough wall opening in mounting surface at desired or specified location. Open cabinet, remove spindles and insert into opening. Secure unit with proper fasteners per each application. Load toilet tissue on rollers, place in concealed track and close hood. Raise lower roll against upper and take hand away. Lower roll should fall into place with upper roll remaining up above the hood line. If loaded properly, top roll will not fall for use until bottom roll has been depleted. When servicing dispenser, full rolls must be used on both spindles to insure proper operation.

To meet ADA code, dispensers cannot have any type of control delivery. (4.16)

NOTES

Formerly Model #: U841A



UB13
Chrome Hat & Coat Hook

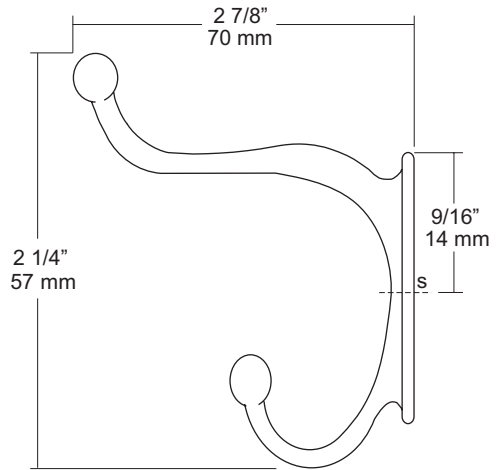
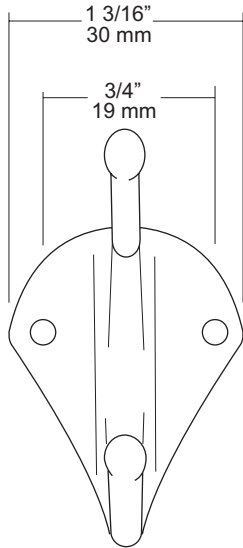
Revision 08/13

JOB #:

ITEM #:

QUANTITY:

MOUNTING	HANDING	TYPE	SIZE	OTHER



SPECIFICATIONS

UB Accessories: Fabricated of forged brass with a nickel and copper plating of chrome coating. In compliance with all standard commercial and government standards.

Overall Size: 1 3/16"W x 2 1/4"H x 2 7/8"D

30mm x 57mm x 70mm

INSTALLATION

Place hook on mounting surface and transfer mounting points. Drill pilot holes and secure with proper fasteners per each application.

NOTES



UC10

Single Robe Hook

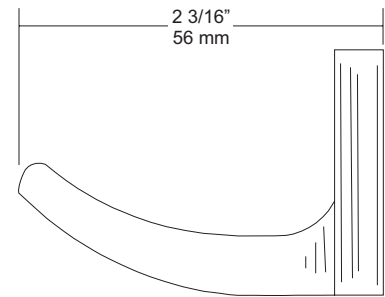
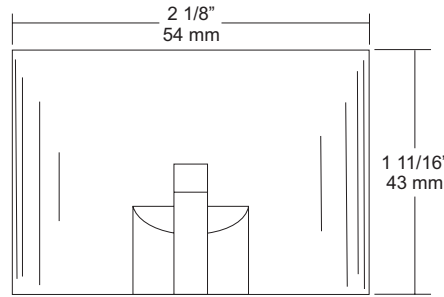
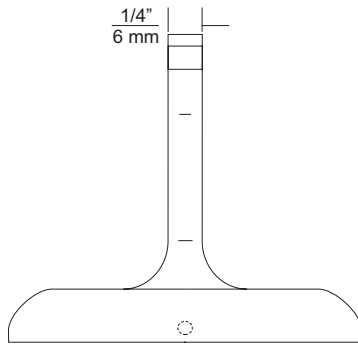
Revision 03/11

JOB #:

ITEM #:

QUANTITY:

MOUNTING	HANDING	TYPE	SIZE	OTHER



SPECIFICATIONS	INSTALLATION
----------------	--------------

UC Accessories: All accessories are fabricated of high polished chrome plating over virgin zinc die cast. All UC items comply with standard federal specifications.

Overall Size: 2 1/8"W x 1 11/16"H x 2 3/16"D

54mm x 44mm x 56mm

Place concealed mounting bracket on wall surface at desired location. Transfer mounting points and drill pilot holes. Secure plate with proper fasteners per application. Place item over plate making sure it fits snugly and secure on the underside with supplied set screw.

NOTES



UC31 Series

Square Towel Bar

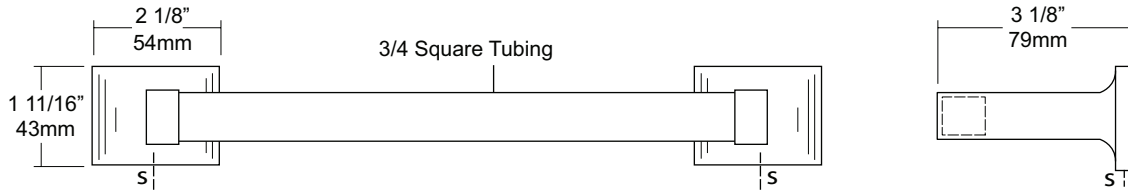
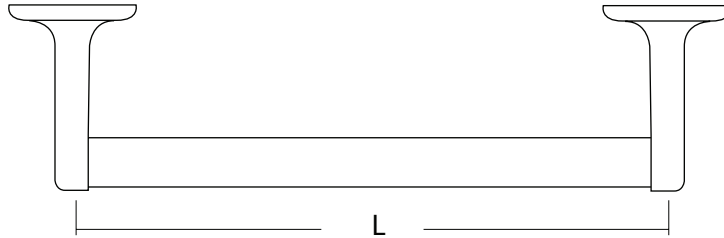
Revision 06/11

JOB #:

ITEM #:

QUANTITY:

MOUNTING	HANDING	TYPE	SIZE	OTHER



SPECIFICATIONS

UC Accessories: All accessories are fabricated of high polished chrome plating over virgin zinc die cast. All UC items comply with standard federal specifications.

Overall Size: 3 1/8" deep off wall 79mm

Bar: 3/4"OD

Standard lengths: 18", 24", 30"

INSTALLATION

Place posts on flat surface and connect each towel bar. Measure the center line distance from post to post. Transfer this dimension to desired location marked. Transfer mounting points and drill pilot holes. Secure plate with proper fasteners per application. Place post over plate making sure it fits snugly and secure on the underside with supplied set screw. Insert bar into post not mounted and place over plate making sure to insert bar into mounted post. Secure with set screw.

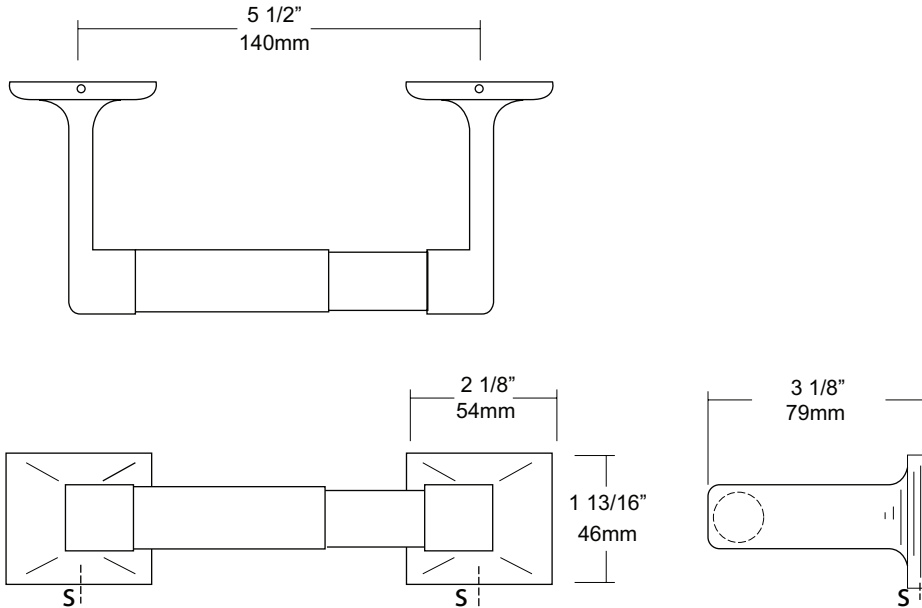
NOTES

JOB #:

ITEM #:

QUANTITY:

MOUNTING	HANDING	TYPE	SIZE	OTHER



SPECIFICATIONS

UC Accessories: All accessories are fabricated of high polished chrome plating over virgin zinc die cast. All UC items comply with standard federal specifications.

Rollers: White ABS rollers with heavy duty internal spring. Optional chrome plated roller available on request.

Optional U007 Theft Resistant Adapter: Prevents spindle from being removed until roll has been depleted.

Overall Size: 7 5/8"W x 1 13/16"H x 3 1/8"D (without roll)

195mm x 44mm x 79mm

Capacity: One standard roll with a 5 1/4" (133mm) OD

INSTALLATION

Place concealed mounting bracket on wall surface at desired location. Transfer mounting points and drill pilot holes. Secure plate with proper fasteners per application. Place item over plate making sure it fits snugly and secure on the underside with supplied set screw. Do this three times maintaining a 5 1/2" space centerline between posts. Make sure the post you select to be mounted as center post will accommodate two rolls and not the end post.

Toilet Paper Dispensers: All dispensers that are to meet ADA code cannot have any type of controlled delivery. (4.16)

NOTES



UX1-B-CV

Flange & Curved Shower Rod

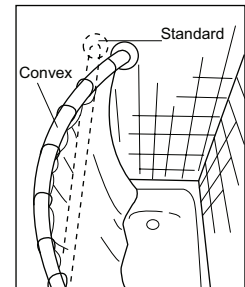
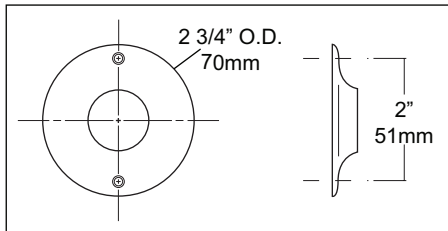
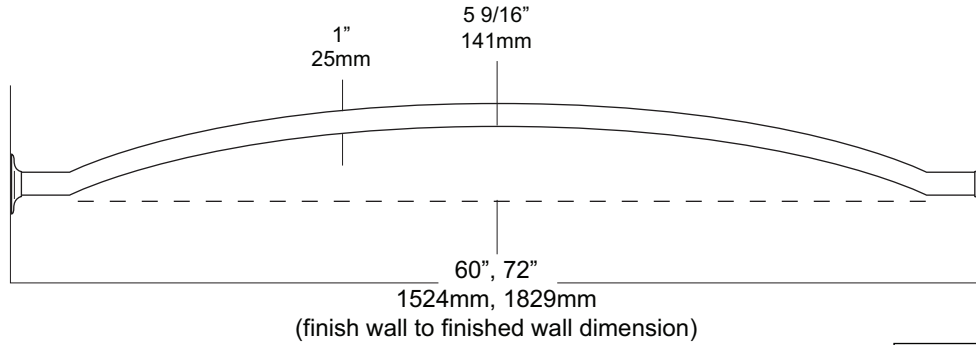
Revision 03/12

JOB #:

ITEM #:

QUANTITY:

MOUNTING	HANDING	TYPE	SIZE	OTHER



SPECIFICATIONS

Rods: Fabricated of #18 ga stainless steel with a #4 satin finish with a 1" outside diameter. Rod configuration is accomplished by a roll former that provides an additional 5 9/16" showering area. (Aprx. 25%)

Flanges: 22 ga. exposed mounting stainless steel flanges have a #4 satin finish to match rod. One flange is permanently secured to the rod, the other is loose for mounting purposes. 72"L is the maximum recommended size for this style rod. Overhead supports are not required for this style rod.

Overall Size: 1" O.D.

Standard Sizes: 60", 72"

INSTALLATION

Provide an area on wall surface at desired or specified location. Hold flange to wall surface and transfer mounting points. Drill pilot holes. Place flanges on the ends of the rods. Secure flanges to wall surface with proper fasteners per application. Make sure the shower rod is level before securing.

NOTES

Formerly Model #: UCVS



UX169
Shower Curtain Hooks

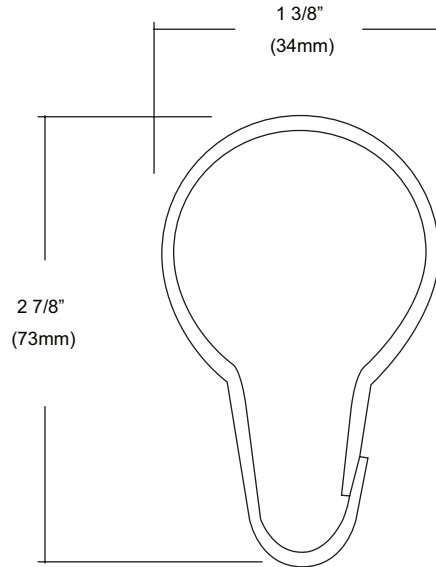
Revision 03/11

JOB #:

ITEM #:

QUANTITY:

MOUNTING	HANDING	TYPE	SIZE	OTHER



SPECIFICATIONS

Unit is constructed of stainless steel. Ring snaps around the shower rod to support curtain. Spacing of hooks is every 6" and can be installed on both 1" & 1 1/4" diameter rods.

Overall Size: 1 3/8"W x 2 7/8

34mm x 73mm

INSTALLATION

Thread hook through curtain eyelet. Slide rings onto curtain rod. Hook can accommodate 1" & 1 1/4" rods.

NOTES



UX1K

Flange & Shower Rod

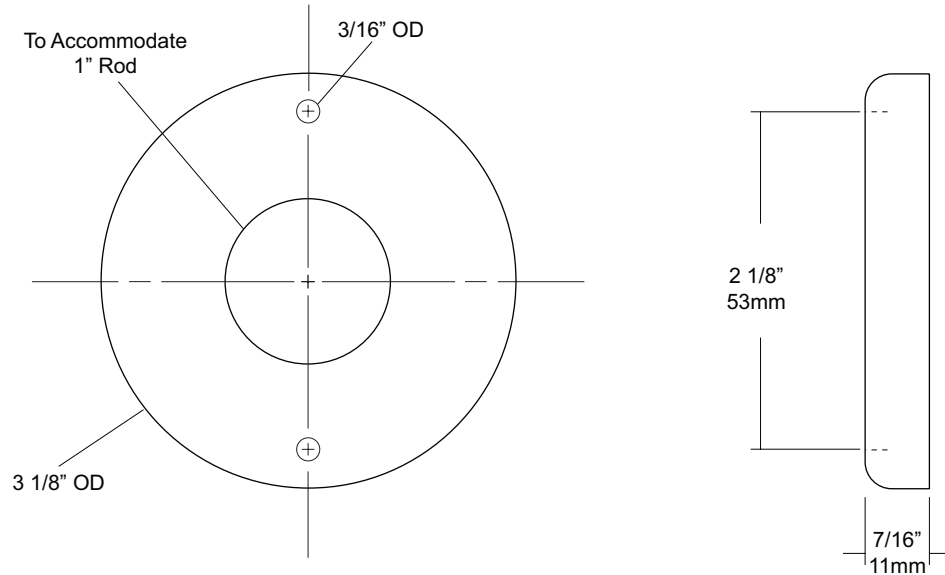
Revision 03/11

JOB #:

ITEM #:

QUANTITY:

MOUNTING	HANDING	TYPE	SIZE	OTHER



SPECIFICATIONS

Exposed Cover: Fabricated of #22 gauge stainless steel with a #4 satin finish. Cover has two (2) exposed mounting points.
Shower Rod: Fabricated of 18 gauge stainless steel with a #4 satin finish.
UX1: 1" outside diameter

INSTALLATION

Provide an area on wall surface at desired or specified location. Hold flange to wall surface and transfer mounting points. Drill pilot holes. Place flanges on the ends of the rods. Secure flanges to wall surface with proper fasteners per application.

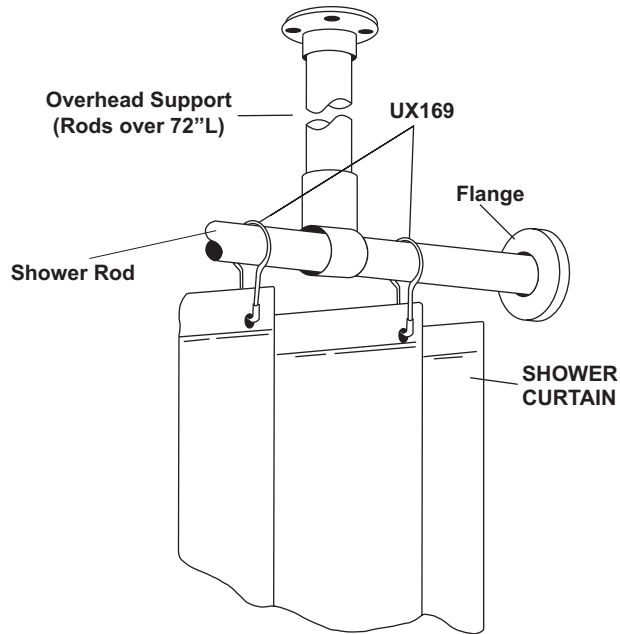
NOTES

JOB #:

ITEM #:

QUANTITY:

MOUNTING	HANDING	TYPE	SIZE	OTHER



SPECIFICATIONS	INSTALLATION
----------------	--------------

Bacteria & Mildew Resistant: Heavy duty vinyl film (8 mil) that is flame retardant, durable and waterproof. Microbiotic KV-33 is an integral part added to the fabrication of this curtain that can be laundered repeatedly without losing this barrier against bacteria, fungus and mildew. KV-33 is a durable bacteriostat, mildewstat and fungistat that will provide protection for as long as you use this style curtain. It will retard the growth of organisms, thereby inhibiting odors caused by decaying bacteria.

Design: To insure the ultimate in bacteria free curtain, there are no side hems to hinder the flow-off of soap and water. This also makes cleaning easier. The heading is reinforced with a ten gauge vinyl film with rust proof anodized eyelets spaced 6" apart.

Cleaning: Sponge with warm mild soap and rinse with clear water.

Machine washing: Relatively cool water temp not to exceed 120 degrees F. DO NOT USE DETERGENTS. Air dry at low temp. Colors: Standard stock color is white. Special order for other colors are available on request.

***UX1-V/UX2-V:** Overhead s/s supports for oversized shower rods. (For shower rods over 72" in length an overhead support is recommended)

UX1-V: 1" OD shower rods.

UX2-V: 1 1/4" OD shower rods.

Recommended: UX169 stainless steel shower curtain hooks to connect to AJW shower curtain rods. Various types of flanges are available to secure rod and curtain to mounting surface (exposed and concealed).

Measuring Curtains: Curtains are measured W x H. The same curtain will fit a 1 or 1 1/4" diameter rod.

NOTES

Formerly Model #: 250P