

date
projectname
attn
from
fax
email
phone

7/1/16
Boca Lofts
Ric Waggoner

5618485556
rwaggoner@nationalmillworkinc.com
5618485556



U180A

Folded Towel Dispenser

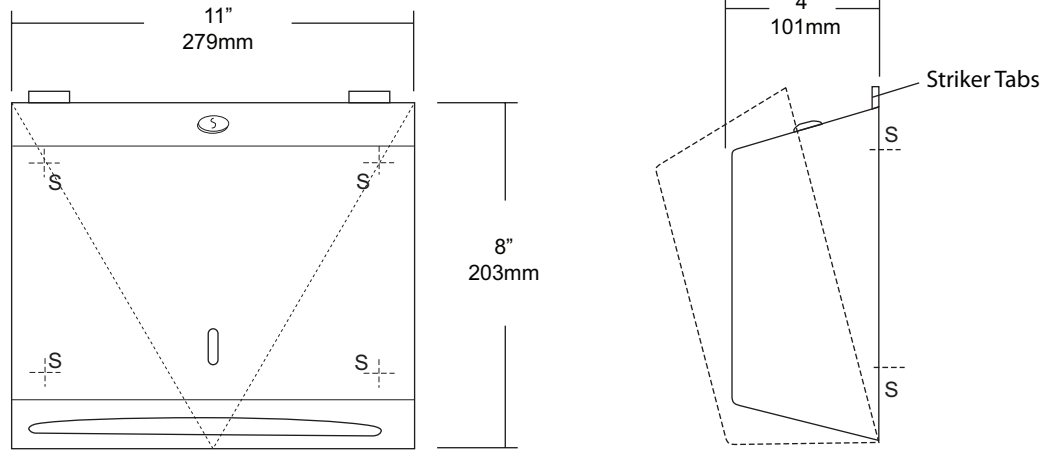
Revision 03/11

JOB #:

ITEM #:

QUANTITY:

MOUNTING	HANDING	TYPE	SIZE	OTHER



SPECIFICATIONS

- Cabinet:** #22 ga. stainless steel with #4 satin finish. Striker tabs prevents damage to mounting surface when cover is closed. (Unibody design)
- Cabinet Back:** #22 ga stainless steel with embossed towel guides.
- Hinges:** Full length, heavy duty, stainless steel , piano type hinge. (Welded, no rivets)
- Locks:** Pin tumbler, commercial quality, keyed like all other AJW cabinets.
- Towel Dispenser:** Area is hemmed to prevent towel tearing and injury.
- Overall Size:** 11"W x 8"H x 4"D (stainless steel)
279mm x 203mm x 102mm
- Capacity:** 200 c-fold or 325 multifold
- Options:**
-TK: Twist lock in lieu of keyed lock.

INSTALLATION

Provide an area on mounting surface at desired or specified location. Open cover and place unit against wall and transfer mounting points after checks out to be level and is at the proper mounting height. Secure unit to surface with proper fasteners, fill cabinet with towels, close cover and remove key.

Recommend towel dispensing area at a height of 40" above finished floor to meet ADA Code.

NOTES



U450-2
Surface Mounted Waste Receptacle

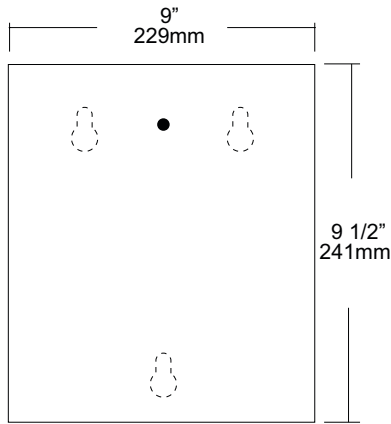
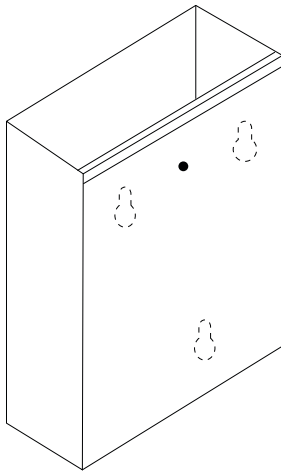
Revision 10/14

JOB #:

ITEM #:

QUANTITY:

MOUNTING	HANDING	TYPE	SIZE	OTHER



SPECIFICATIONS

Waste: Fabricated of #22 ga stainless steel with a #4 satin finish on all exposed surfaces. All leading edges are hemmed and have a radius to prevent injury.

Back: Fabricated of stainless steel formed for rigidity with multiple welds to cabinet body.

Overall Size: 9"W x 9 1/2"H x 4"D
229mm x 241mm x 102mm

Waste Capacity: 2 gallons (.26 cu ft)

Options:

- CV: Covered Waste
- VL3: 2.75 Gallon Liner

INSTALLATION

Provide an area on wall surface at desired or specified location. Hold unit to wall surface, making sure unit is level and transfer mounting points. Drill pilot holes. Using proper fasteners per application, secure unit to wall surface.

NOTES

Formerly Model #: U450