

date  
projectname  
attn  
from  
fax  
email  
phone

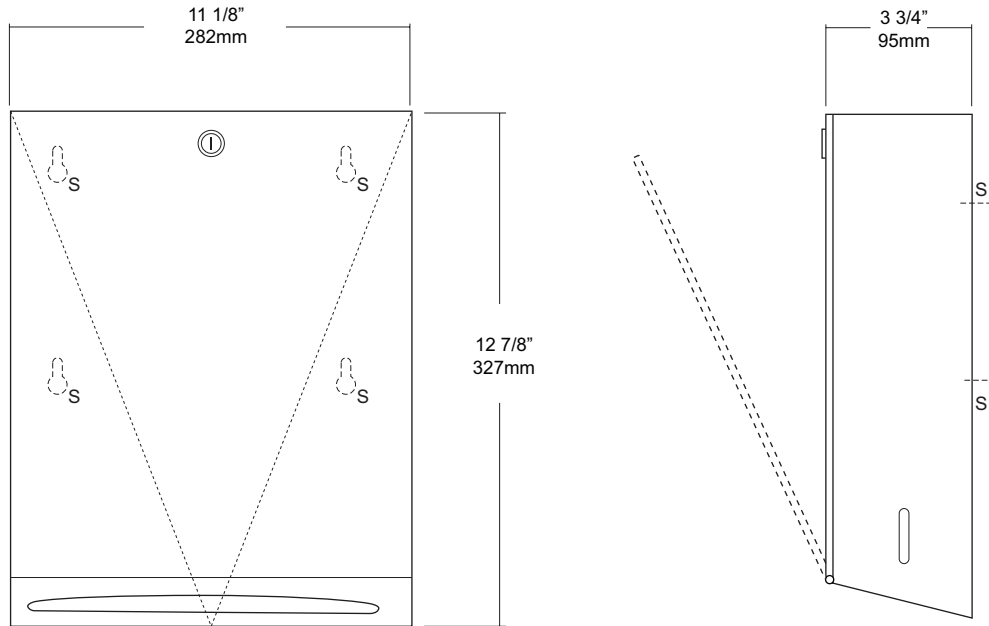
5-14-20  
QNS website images  
QNS

JOB #:

ITEM #:

QUANTITY:

MOUNTING	HANDING	TYPE	SIZE	OTHER



### SPECIFICATIONS

**Cabinet:** Fabricated of heavy gauge steel with a white, powder coated finish. Door is equipped with a keyed lock

**Hinges:** Full length, heavy duty, stainless steel , piano type hinge. (Welded, no rivets)

**Locks:** Pin tumbler, commercial quality.

**Towel Dispenser:** Area is hemmed to prevent towel tearing and injury.

**Overall Size:** 11 1/8"W x 12 7/8"H x 3 3/4"D  
 279mm x 327mm x 102mm

**Capacity:** 400 c-fold or 525 multifold

### INSTALLATION

Provide an area on mounting surface at desired or specified location. Open cover and place unit against wall and transfer mounting points after checks out to be level and is at the proper mounting height. Secure unit to surface with proper fasteners, fill cabinet with towels, close cover and remove key.

Recommend towel dispensing area at a height of 40" above finished floor to meet ADA Code.

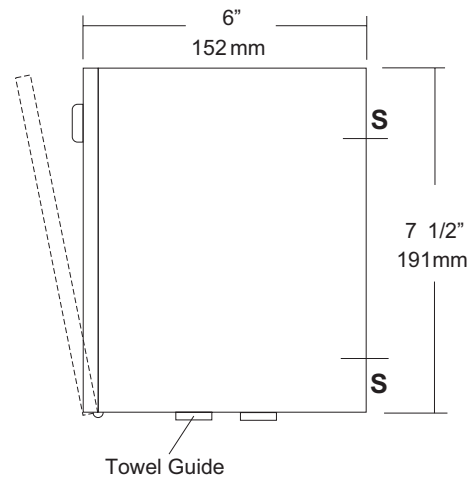
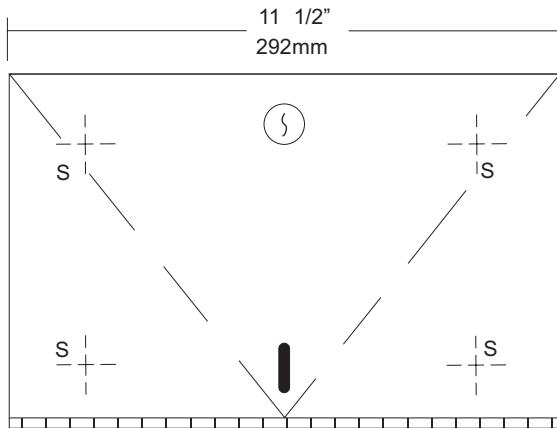
### NOTES

JOB #:

ITEM #:

QUANTITY:

MOUNTING	HANDING	TYPE	SIZE	OTHER



### SPECIFICATIONS

- Cabinet Body:** Fabricated of #22 ga stainless steel with a #4 satin finish.
- Back:** #22 ga stainless steel with multiple welds to cabinet.
- Door:** #22 ga stainless steel with 1/4" returns for maximum rigidity. Slot in door provides a visual paper level check at all times.
- Hinges:** Full length stainless steel piano type hinge. Towel Dispensing Area: Hemmed edges to prevent injury and towel tearing.
- Locks:** Pin tumbler commercial quality keyed like all other AJW cabinets.
- Overall Size:** 11 1/2"W x 7 1/2"H x 6"D  
292mm x 191mm x 152mm
- Capacity:** 400 singlefold towels
- Options:**
  - TK: Twist lock in lieu of keyed lock.

### INSTALLATION

- Provide an area on mounting surface at desired or specified location. Open cover and place unit against wall and transfer mounting points after checks out to be level and is at the proper mounting height. Secure unit to surface with proper fasteners, fill cabinet with towels, close cover and remove key.
- Recommend towel dispensing area at a height of 40" above finished floor to meet ADA Code.

### NOTES



# U210

## Towel & Soap Dispenser Combination Unit

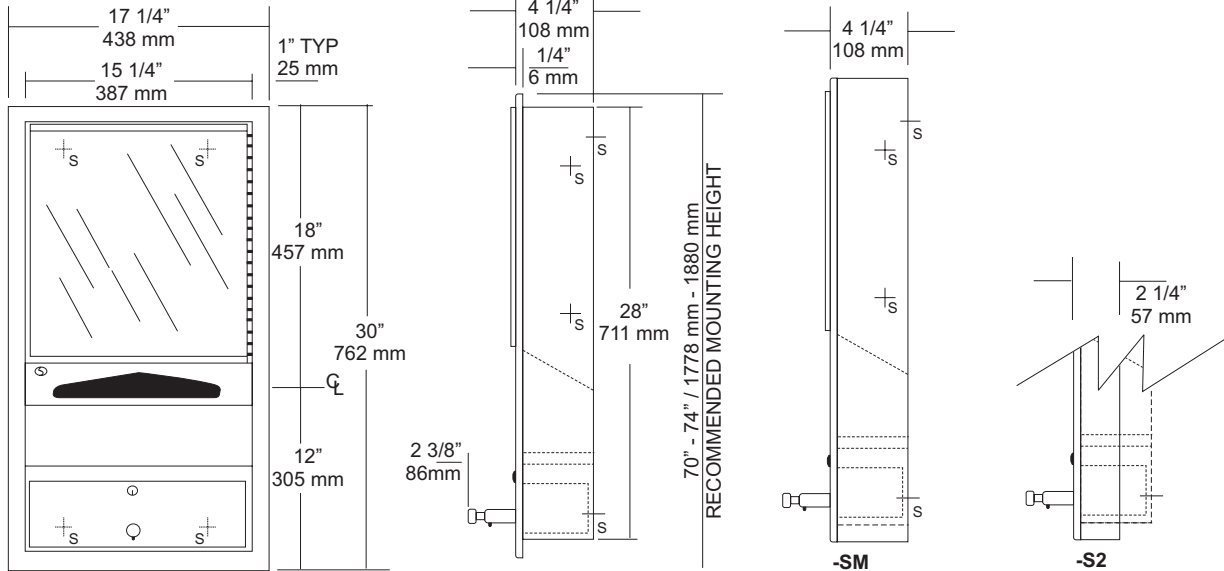
Revision 03/11

JOB #:

ITEM #:

QUANTITY:

MOUNTING	HANDING	TYPE	SIZE	OTHER



### SPECIFICATIONS

- Cabinet Body:** Fabricated of #22 ga stainless steel with a #4 satin finish.
- Flange:** Fabricated of #22 ga stainless steel with #4 satin finish. One piece construction without miters or welds, returns are 1/4" to wall for maximum rigidity.
- Cabinet Back:** Fabricated of stainless steel with multiple welds to cabinet body for maximum rigidity.
- Door:** 1/4" plate glass with a 15 year warranty against silver spoilage, with top and bottom s/s channel.
- Soap Tank:** #20 ga stainless steel fully welded construction. Removable for easy servicing and cleaning. All purpose chrome on brass bellows valve is included. Tank capacity is 100 fluid ounces.
- Towel Dispenser:** Hemmed edges to prevent towel tearing and injury.
- Shelf:** Fabricated of #22 ga stainless steel #4 satin finish.
- Hinges:** Full length stainless steel piano type hinge.
- Locks:** Pin tumbler type, keyed like all other AJW items.
- Collars:** #22 ga stainless steel finished to match cabinet for semi-recessing or surface mounting.
- Overall Size:** 17 1/4"W x 30"H x 4 1/4"D  
(438mm x 762mm x 108mm)
- Wall Opening:** 15 3/4"W x 28 1/2"H x 4"D  
(400mm x 648mm x 102mm)
- Towel Capacity:** 600 c-fold or 800 multifold
- U210-S2:** semi-recessed. 2" collar, with 2" (51mm) wall opening.
- U210-SM:** Surface mounted collar.
- Options:**
- R: Refill Indicator

### INSTALLATION

Coordinate installation with architect or contractor to avoid interference with pipes, vents etc. Provide a wall opening 15 3/4"W x 28 1/2"H. Depth will depend on mounting style. See specifications. If a collar is required place over back of cabinet before placing into wall opening or mounting to surface. Place unit in wall opening making sure cabinet will be level. Secure with proper fasteners per application. Remove soap tank and fill with proper soap. Secure in cabinet and lock in place. Load the proper paper towels and avoid over filling.

Preventive maintenance: Each soap dispenser should be flushed out aprx. Every 30 days with warm water to avoid valve from clogging with old soap. Do not use abrasive cleaners to clean dispensers or cabinets.

### NOTES