

date
projectname
attn
from
fax
email
phone

7/10/20
De Baca County Detention Center
Cory Mansell
Brittany Bennett

support@ajw.com
845-562-3332



U926

Retractable Shower Bench

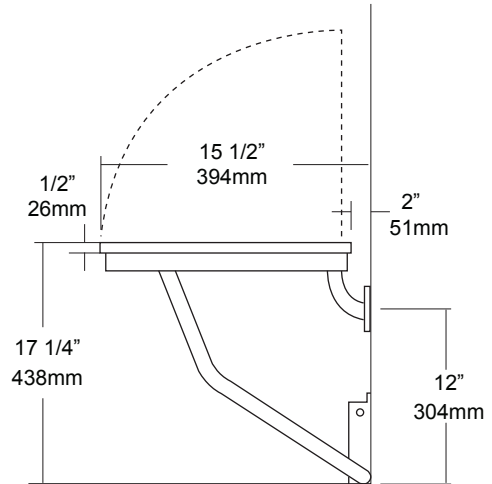
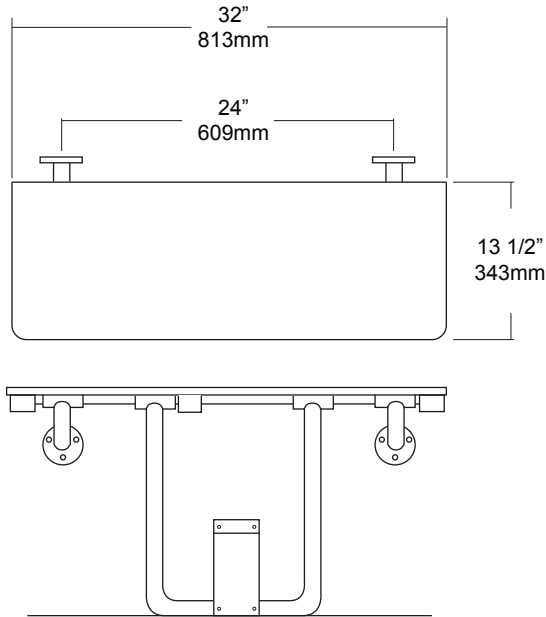
Revision 1/15

JOB #:

ITEM #:

QUANTITY:

MOUNTING	HANDING	TYPE	SIZE	OTHER



SPECIFICATIONS

Seat: Fabricated of #18 gauge #4 satin finish stainless steel welded to frame. All leading edges on slats have a radius edge for safety.

tubing: Fabricated of #18 gauge stainless steel with a #4 satin finish.

Main Frame: 1 1/4" square tubing with capped ends. Underside has no exposed fasteners.

Flanges: #18 gauge stainless steel with four (4) exposed mounting points. Under slung supports have a 1 1/4" OD.

Leg Support: #18 gauge stainless steel one piece construction.

Mounting Bracket: #16 gauge stainless steel "hat" style bracket with four (4) mounting points. Bracket acts as a guide to raise and lower platform. For maximum support bracket should be mounted on finished floor to accept load transfer. Seat will remain in an upright position when not in use by means of a spring clip.

Overall Size: 32"W x 13 1/2"D (seating area)
813mm x 343mm

INSTALLATION

To comply with ADA code, seat should be mounted at a height where the seating location should be at a height of 17" - 19" above finished floor. Check all State and Local code for building requirements. Recommend in wall mounting on all shower seats (BP10) for maximum strength. Place seat up against wall surface making sure seat is at the proper mounting height level. Transfer all mounting point locations and drill pilot holes. Secure seat with proper fasteners for each application. (Fasteners not provided, must be ordered separate) Snugly secure seat and check seat to be level and the raising and lowering of the seat does not bind. When all checks good, finish securing fasteners. When properly mounted seat will support over 1300 lbs. To conform with ADA code 4.21.3 and 4.26.3

Note: This shower seat is not intended to be installed in applications that have shower bases with rounded corners. AJW recommends the U928 for such applications.

NOTES

Formerly Model #: U926-SS



US130-A Series

Security Straight Grab Bar

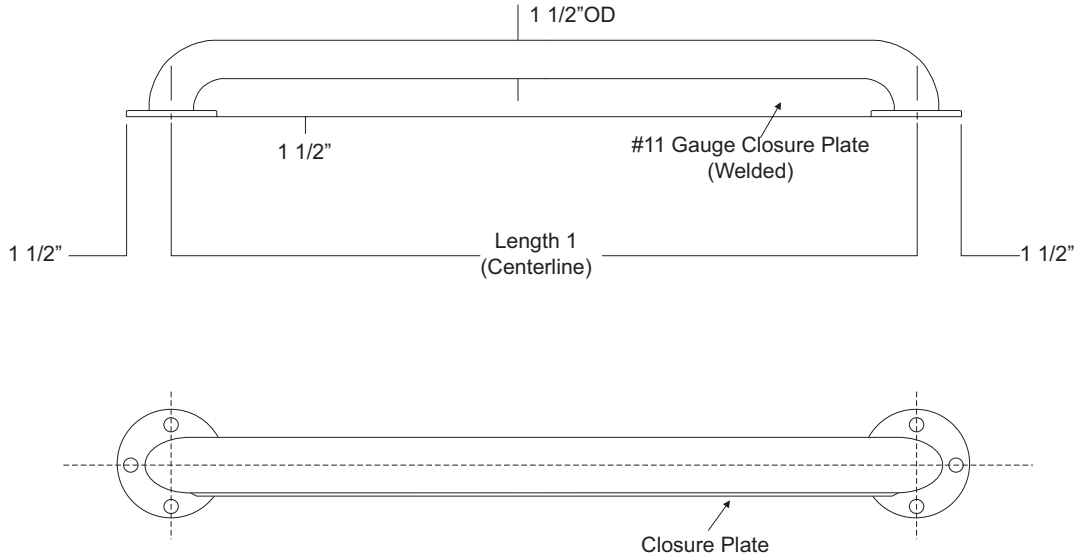
Revision 09/11

JOB #:

ITEM #:

QUANTITY:

MOUNTING	HANDING	TYPE	SIZE	OTHER



SPECIFICATIONS

Tubing: Fabricated of #18 ga stainless steel with a #4 satin finish and 1 1/2" outside diameter. All bends are formed by an automatic mandrel bending process. All bars maintain a constant 1 1/2" offset.

Flanges: Fabricated of 3" diameter, #11 ga stainless steel with #4 satin finish to match tubing. Flanges are heliarc welded to bar to form a one piece construction. Each flange has three (3) mounting points (1/4" dia.)

Closure Plate: Fabricated of #11 gauge stainless steel welded to the underside of the bar.

Strength: Bars that provide a 1 1/2" offset can support loads in excess of 900 lbs when properly installed. Other configurations can support loads excess of 250 lbs when properly installed. Grab bars must be installed properly to support the loads intended.

US130: Security Grab Bar, satin finish

US130X: Security Grab Bar, non-slip finish

"A" Style: 12" min. to 48" max. centerline dimension.

***When measuring and ordering grab bars, remember bars are sized centerline to centerline.**

***Grab Bars comply with ADA Code 4.26.2**

***Non-chloric and non-abrasive cleaners should be used to clean surface of bars and flanges.**

INSTALLATION

Before installing grab bars, verify with all state and local codes for requirements on bar diameter and type finish. Recommended mounting heights for grab bars are 33" - 36" centerline above finished floor. All mounting of grab bars when possible should have in wall mounting back plates. Find centerline mounting points and place bar on line making sure to be on center. Transfer mounting points (3 per flange) to wall. Drill pilot holes and secure bar with proper anchors per application.

NOTES



US130-G Series

Security Two Wall Grab Bar

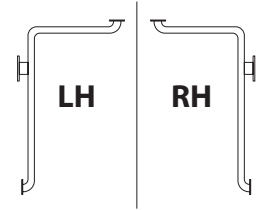
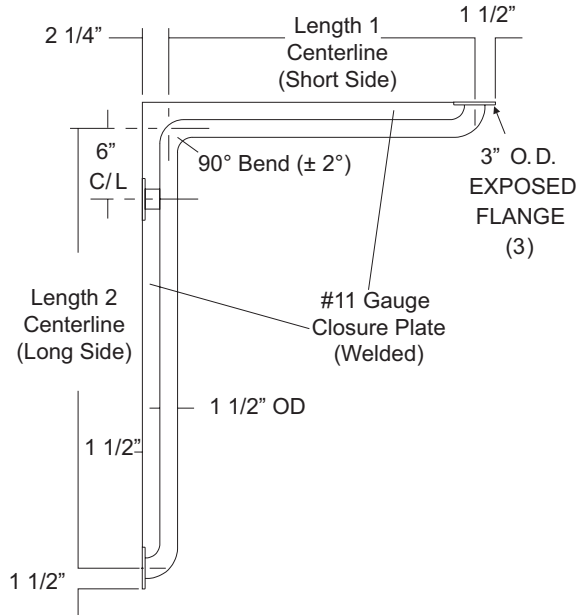
Revision 01/12

JOB #:

ITEM #:

QUANTITY:

MOUNTING	HANDING	TYPE	SIZE	OTHER



(Left Hand Shown)

SPECIFICATIONS

Tubing: Fabricated of #18 ga stainless steel with a #4 satin finish and 1 1/2" outside diameter. All bends are formed by an automatic mandrel bending process. All bars maintain a constant 1 1/2" offset. Add suffix "X" for peened grip (Nonslip finish) Ex. US130X-G-5436

Flanges: Fabricated of 3" diameter, #11 ga stainless steel with #4 satin finish to match tubing. Flanges are heliarc welded to bar to form a one piece construction, with 3 mounting points (1/4" dia.)

Closure Plate: Fabricated of #11 gauge stainless steel welded to the underside of the bar. LH or RH style must be indicated for this type bar.

Strength: Bars that provide a 1 1/2" offset can support loads in excess of 900 lbs when properly installed. Other configurations can support loads of excess of 250 lbs when properly installed. Grab bars must be installed properly to support the loads intended.

US130: Security Grab Bar, satin finish

US130X: Security Grab Bar, non-slip finish

***When measuring and ordering grab bars, remember bars are sized centerline to centerline.**

***Grab Bars comply with ADA Code 4.26.2**

***Non-chloric and non-abrasive cleaners should be used to clean surface of bars and flanges.**

INSTALLATION

Before installing grab bars, verify with all state and local codes for requirements on bar diameter and type finish. Recommended mounting heights for grab bars are 33" - 36" centerline above finished floor. All mounting of grab bars when possible should have in wall mounting back plates. Find centerline mounting points and place bar on line making sure to be on center. Transfer mounting points (3 per flange) to wall. Drill pilot holes and secure bar with proper anchors per application.

Note: Due to the security applications of this product, the entire length of closure plate must maintain contact with wall surface. AJW is not responsible for improper application due to variations in wall construction and surface.

NOTES



US74

Security Mount Toilet Tissue Holder

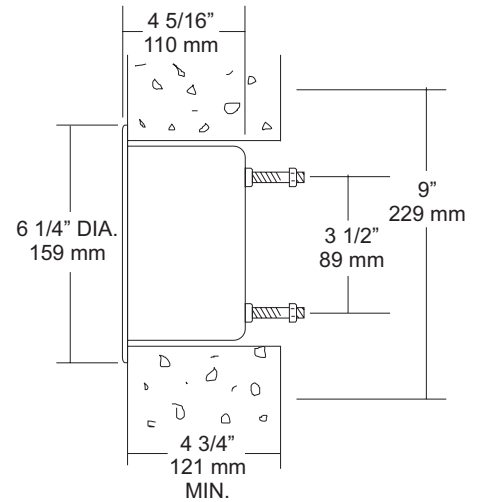
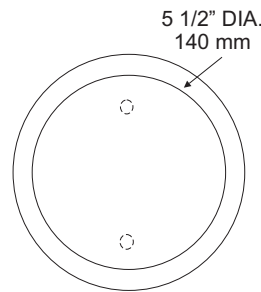
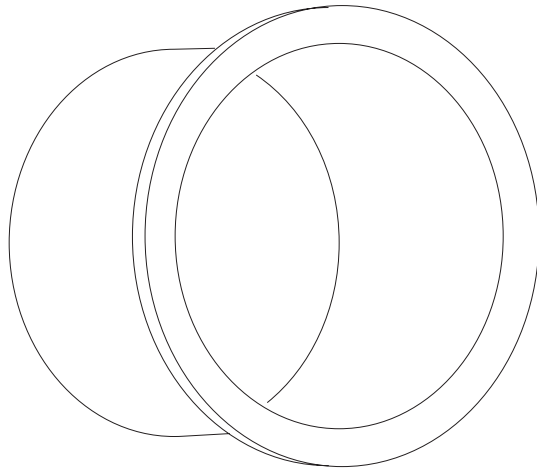
Revision 05/11

JOB #:

ITEM #:

QUANTITY:

MOUNTING	HANDING	TYPE	SIZE	OTHER



SPECIFICATIONS

Toilet Tissue Holder: Fabricated of #16 gauge stainless steel with a satin finish on all exposed surfaces. Unit is a drawn one-piece construction. Rim is beveled to form a snug fit against wall surface. Back of holder has welded anchor nuts to accept 1/4"-20 threaded securing rods that is secured to #11 gauge back plate.

Overall Size: 6 1/4" OD x 4 5/16"D
159mm x 110mm

Wall Opening: 5 3/4"W x 4 3/4"D
146mm x 121mm

Toilet Tissue: One standard roll with a 5 1/4" (133mm) OD.

INSTALLATION

Coordinate installation with contractor or architect to avoid interference with pipes, vents, etc. In wall. Provide a wall opening on 5 3/4" diameter. Wall depth opening will vary per application. Minimum wall depth required is 4 3/4"D. Measure wall depth and cut threaded securing rods to proper length. Thread rods into weld nuts on the back of holder. Place back plate over rods and secure with nuts and washers. (Nuts and washers not included.)

Toilet Paper Dispensers: All dispensers that are to meet ADA code cannot have any type of controlled delivery. (4.16)

NOTES



US740

Security Frameless Mirror

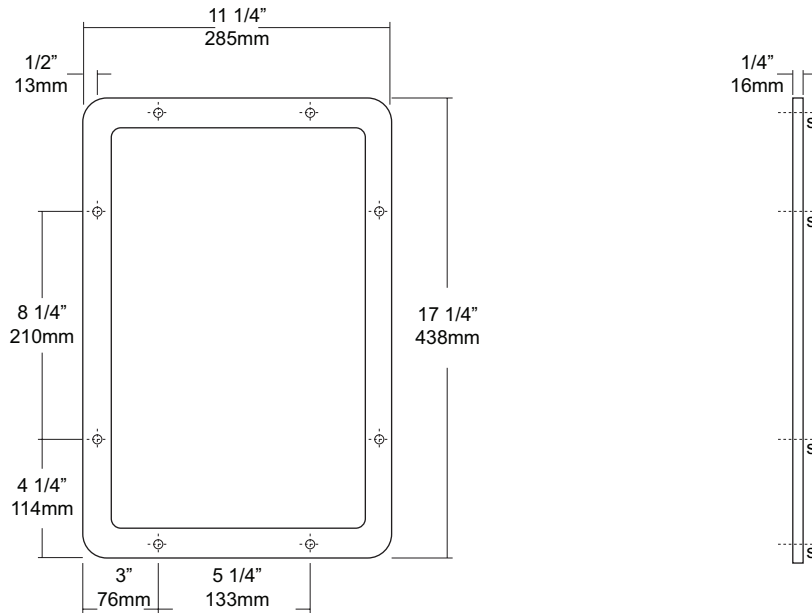
Revision 03/11

JOB #:

ITEM #:

QUANTITY:

MOUNTING	HANDING	TYPE	SIZE	OTHER



SPECIFICATIONS

Security Mirror: Fabricated of #18 ga stainless steel polished to a #8B finish. All exposed mounting points locations are countersunk. One piece design provides a rigid security mirror that has the appearance of a framed mirror.

Overall Size: 11 1/4"W x 17 1/4"H x 1/4"D
286mm x 438mm x 6mm

INSTALLATION

Place mirror on wall surface at desired or specified location. Making sure unit is level, transfer all mounting points to mounting surface. Drill pilot holes. Remove all white vinyl protective coating and secure with proper fasteners per application.

NOTES

Formerly Model #: US7408B