



# U134EA

## Hands Free Soap Dispenser

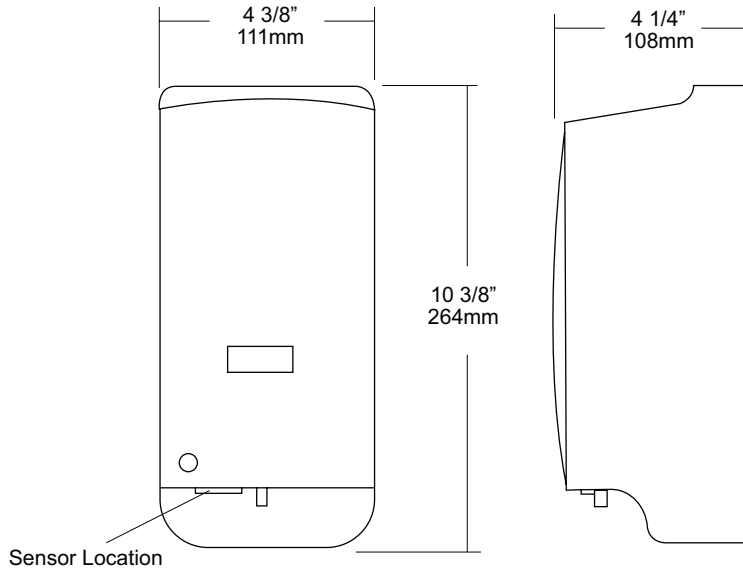
Revision 03/11

JOB #:

ITEM #:

QUANTITY:

MOUNTING	HANDING	TYPE	SIZE	OTHER



### SPECIFICATIONS

**Body & Back:** Fabricated of white high impact plastic material with a smooth design and curves. Hidden security locking mechanism prevents vandalism. (Special key provided) Cover is equipped with a clear viewer to allow a constant soap level check.

**Bottle:** Convenient filler cap on bottle allows easy servicing of dispenser. Bottle is equipped with flexible valve assembly. (Bag in a box not required)

**Sensor:** Hands free sensor provides easy operation by passing hands through activation field. A pre-measured amount of soap will dispense. Unit is operated by three (3) "C" batteries, not provided, Alkaline batteries are recommended for best performance. When properly mounted dispenser will comply with ADA code. Green light indicates power, red light indicates low battery

**Overall Size:** 4 3/8"W x 10 3/8"H x 4 1/4"D

**111mm x 264mm x 108mm**

**Capacity:** 1000ml (aprx 40oz)

### INSTALLATION

If mounting on wall surface, transfer mounting hole dimensions from back of unit to wall surface. Drill pilot holes and secure unit to surface with proper fasteners. Sensor cannot be any higher than 40" above finished floor to comply with ADA code.

\*It is not recommended to mount any soap dispenser on mirrors

\*\*For best performance, use pre-mixed low concentrate solutions. Dispensers should have periodic maintenance performed to insure the life of the dispenser. Rinse out bottle and valve with warm water to prevent sludge buildup.

Preventative Maintenance: Each dispenser should be flushed out aprx. Every 30 days with warm water to prevent valve from clogging with old soap. Do not use abrasive cleaners to clean dispenser.

### NOTES