

date  
projectname  
attn  
from  
fax  
email  
phone

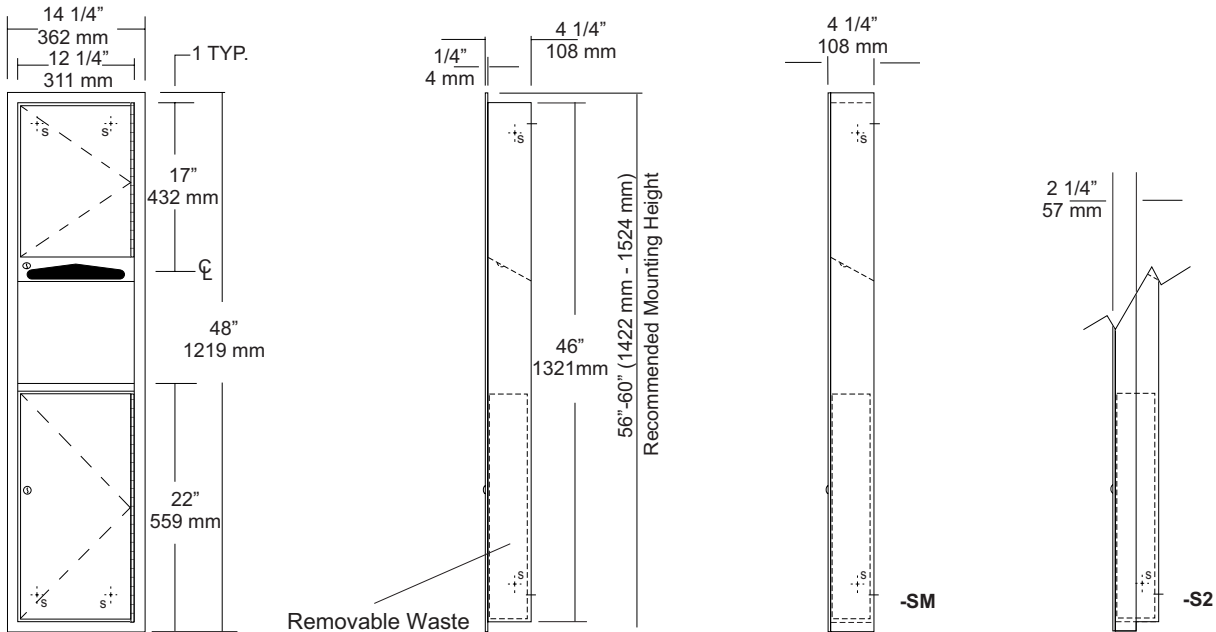
6/25/2021  
845 N MORGAN  
SUHA  
BFG

JOB #:

ITEM #:

QUANTITY:

MOUNTING	HANDING	TYPE	SIZE	OTHER
----------	---------	------	------	-------



### SPECIFICATIONS

**Body:** Fabricated of #22 ga stainless steel with a #4 satin finish.

**Flange:** Fabricated of #22 ga stainless steel with #4 satin finish and 1/4" returns to wall, no miters or welds.

**Cabinet Back:** Fabricated of stainless steel formed for rigidity with multiple welds to cabinet body.

**Cabinet Door:** Fabricated of #22 ga stainless steel with #4 satin finish with full length door stop to prevent vandalism

**Towel Dispenser:** Dispensing area has hemmed edges to prevent injury and towel tearing.

**Removable Waste:** Stainless steel removable waste, with heavy duty handle for easy removal.

**Hinges:** Heavy duty, full length, stainless steel piano type hinge.

**Lock:** Pin tumbler commercial quality keyed like all other AJW cabinets.

**Collars:** Fabricated of #22 ga #4 satin finish stainless steel finished to match cabinet body.

**Overall Size:** 14 1/4"W x 48"H x 4 1/4"D  
**362mm x 1219mm x 108mm**

**Wall Opening:** 12 3/4"W x 46 1/2"H x 4"D  
**324mm x 1181mm x 102mm**

**U640-S2:** semi-recessed with 2" collar. (2" wall opening 51mm)

**U640-SM:** Surface mounted with full skirt.

**Towel Capacity:** 600 c-fold or 800 multifold

**Waste Capacity:** 3 gallons (.40 cu ft)

### INSTALLATION

Coordinate installation with contractor and architect to avoid interference with pipes vents etc. Provide a rough wall opening 12 3/4"W x 46 1/2"H. Wall opening depth will depend on style mounting. If a collar is required, slip over back of unit. Remove waste & install unit in opening. Make sure cabinet will sit flush in wall and secure with proper fasteners per application. Install waste back into cabinet and load paper towels.

When cleaning cabinet, use a soft cloth, a non-abrasive or chloric solutions.

### NOTES



# U711 Series Channel Frame Mirror

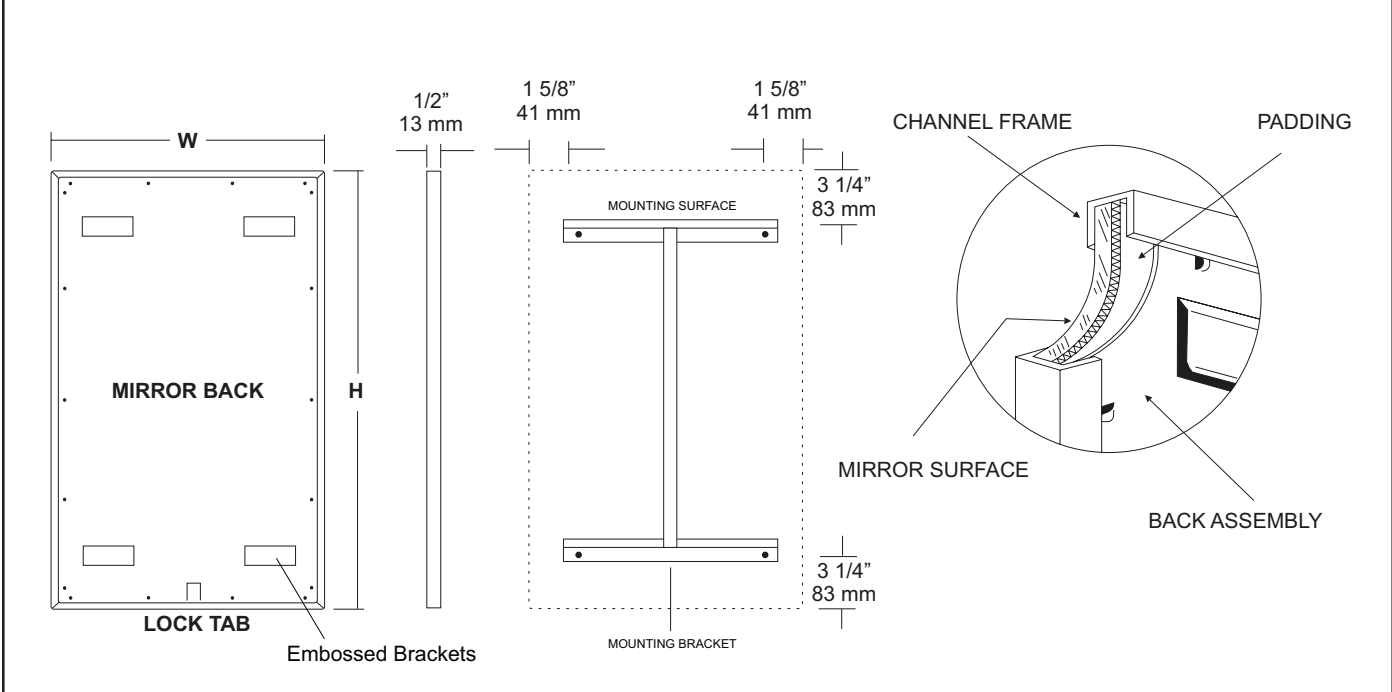
Revision 11/15

JOB #:

ITEM #:

QUANTITY:

MOUNTING	HANDING	TYPE	SIZE	OTHER



## SPECIFICATIONS

**Frame:** Fabricated of #20 ga stainless steel, #4 satin finish. Roll formed 1/2" x 1/2" x 1/2" channel frame has mitered corners and secured with stainless steel rivet.

**Mirror:** 1/4" thick type 1 transparent flat type, class 1 - clear glass mirrors. Mirror is coated with silver and sealed with a uniform electrolytic copper plating, along with two coats of paint for added protection. Mirrors are guaranteed against silver spoilage for a period of 15 years. Mirrors conform to ASTM C1036 and ASTM C1503-R8.

**Filler:** Full size, 1/8" shock absorbing, water resistant, nonabrasive, polyethylene padding protects all concealed mirror surfaces.

**Back:** #20 ga pre-plated galvanized steel, with embossed horizontal louver mounting brackets. Embossed theft resistant pressure activated clip lock device, locks mirror in place to wall hangers.

**Hangers:** Fabricated of #20 ga pre-plated steel galvanized steel with mounting points.

**Standard Sizes Available (W x H):** 16"x20", 16"x24", 16"x30", 18"x24", 18"x30", 18"x36", 24"x30", 24"x36", 24"x42", 24"x48", 18"x60", 20"x60", 24"x60", 18"x72", 24"x72"

### Options:

- LG:** Laminated Glass
- LX:** Polycarbonate
- PM:** Plastic Acrylic
- T:** Tempered Glass
- VC:** Vinyl Clad (Safety Glass)
- 8B:** #8 Reflective Stainless Steel

\*Stainless steel mirrors reflect images in different optic quality than plate glass. There will be a slight distortion which increases proportionately with the mirror size. Therefore, AJW Architectural Products™ cannot be held responsible for quality of image.

- \*\*Mirrors are always ordered Width x Height
- \*\*\*Recommended max size for 8B mirrors: 72" x 47-1/2"
- \*\*\*\*Framed mirrors are fabricated to a tolerance of (+/-) 1/8"
- \*\*\*\*\* Mirrors conform to Federal Specifications DD-M-00411b & DD-g-541D

## INSTALLATION

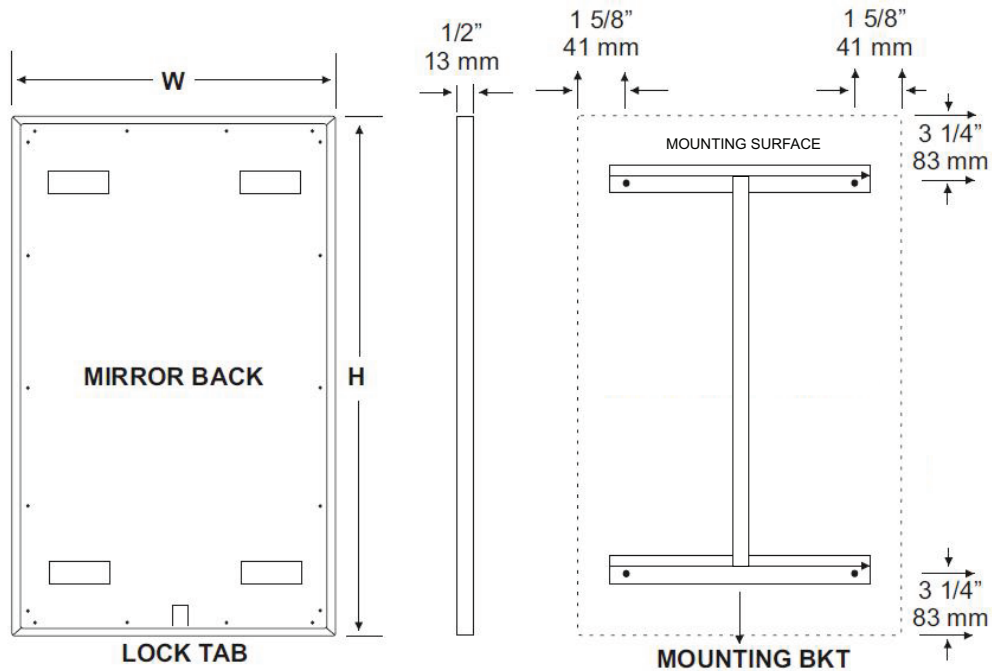
Coordinate installation with architect / contractor for specific mounting location and height for each mirror application. Making sure "I" bracket is level, transfer all mounting point locations to wall surface from drawing. Secure brackets with proper fasteners for each application. Slide mirror down over horizontal brackets until clip lock secures mirror in place. Mirror can only be removed by inserting tool through hole at bottom of frame depressing clip. This will allow mirror to slide up over brackets. Fillers are available if mirrors are mounted above and below tile line. (U004 Filler) filler material will match mirror frame to form a one piece construction.

To meet ADA Code, bottom edge of reflective surface can be no higher than 40" above finished floor. (4.19.6) Full length mirrors may be used for universal application when installed in correct locations.

Abrasive cleaners & chloric solutions should not be used on mirrors. Discoloring and /or scratching of frame and reflective surface may occur.

## NOTES

# U711 Installation Instruction Sheet



## INSTALLATION

Coordinate installation with architect / contractor for specific mounting location and height for each mirror application. Making sure "I" bracket is level, transfer all mounting point locations to wall surface from drawing. Secure brackets with proper fasteners for each application. Slide mirror down over horizontal brackets until clip lock secures mirror in place. Mirror can only be removed by inserting tool through hole at bottom of frame depressing clip. This will allow mirror to slide up over brackets. Fillers are available if mirrors are mounted above and below tile line. (U004 Filler) Filler material will match mirror frame to form a one piece construction.

To meet ADA Code, bottom edge of reflective surface can be no higher than 40" above finished floor. (4.19.6) Full length mirrors may be used for universal application when installed in correct locations.

## CARE & CLEANING

Wipe mirrors with a soft cloth, taking special care to rub stainless steel frames with the grain to avoid scratching. Do not use abrasive cleaners containing chloric solutions on stainless steel frames. Glass Plus or other window cleaning products are ideal.



# U804 Toilet Tissue Dispenser

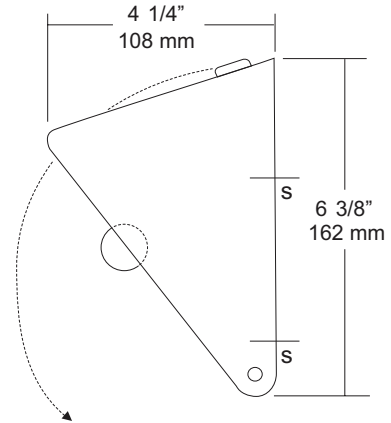
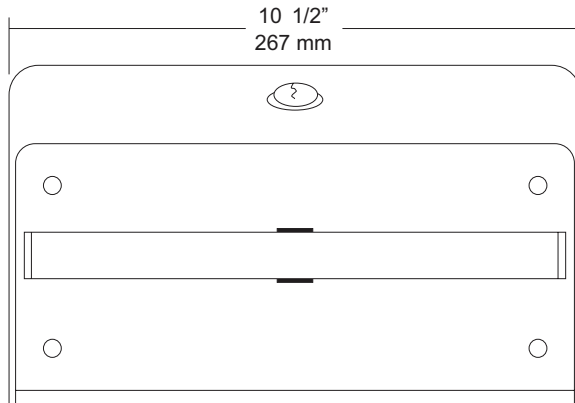
Revision 03/11

JOB #:

ITEM #:

QUANTITY:

MOUNTING	HANDING	TYPE	SIZE	OTHER



## SPECIFICATIONS

**Hood:** Fabricated of #18 gauge stainless steel with a #4 satin finish on all exposed surfaces. Radius corners and leading edges are deburred. Keyed hood provides a theft resistant dispenser. Rolls cannot be removed without opening dispenser.

**Back Plate:** Fabricated of #22 gauge stainless steel.

**Roller:** Stainless steel roller is welded to a stainless steel post that has a capped end to prevent damage to roll.

**Locks:** commercial quality pin tumbler lock keyed like all other AJW accessories.

**Overall Size:** 10 1/2"W x 6 3/8"H x 4 1/4"D

**267mm x 161mm x 108mm**

**Capacity:** Two standard rolls with a 5 1/4" (133mm) OD.

**Options:**

-TK: Keyless twist lock.

## INSTALLATION

Open hood of dispenser and place unit on mounting surface at desired or specified location. Making sure unit is level transfer mounting points to surface using unit as a template. Drill pilot holes and secure unit with proper fasteners per application. Install roll of toilet tissue and secure cover.

Toilet Paper Dispensers: All dispensers that are to meet ADA code cannot have any type of controlled delivery. (4.16)

## NOTES



# U841 Toilet Tissue Dispenser

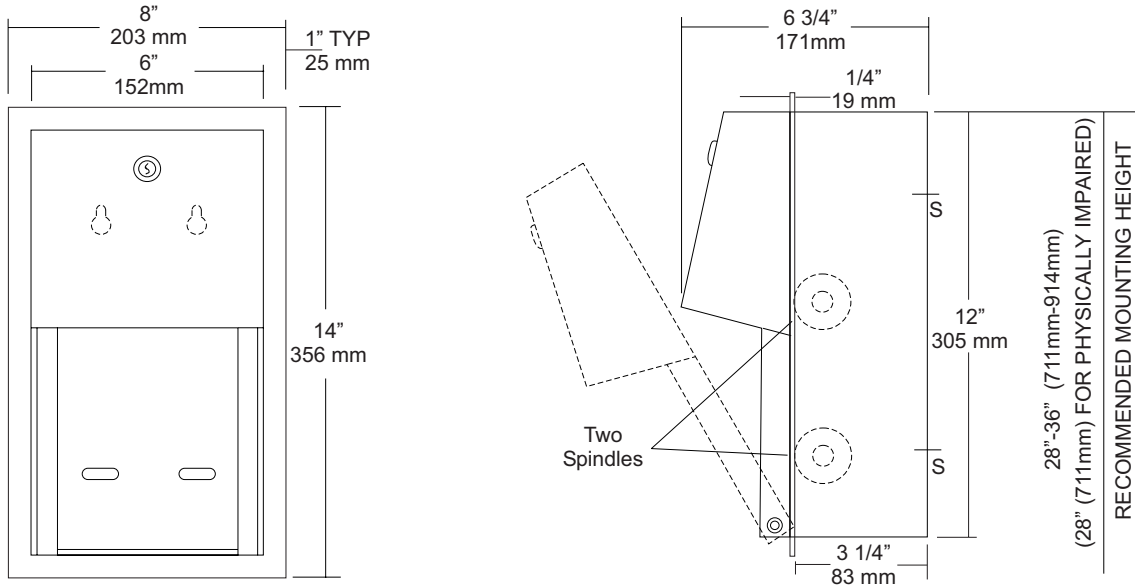
Revision 03/11

JOB #:

ITEM #:

QUANTITY:

MOUNTING	HANDING	TYPE	SIZE	OTHER



## SPECIFICATIONS

- Body:** Fabricated of #22 ga stainless steel with #4 satin finish. Concealed inner dispensing mechanism is #18 ga stainless steel.
- Back:** Fabricated of #18 ga stainless steel with multiple welds to cabinet body forming a one piece construction.
- Hood:** Fabricated of #18 ga stainless steel finished to match cabinet body. Hood is secured with stainless steel hinge rivets to cabinet body. Top roll of tissue will not drop down unless the bottom roll has been depleted. When unit is closed, this will provide a theft resistant, non-control operation and reduce vandalism.
- Flange:** One piece construction without miters or welds fabricated of #22 ga stainless steel, with #4 satin finish to match cabinet.
- Locks:** Pin tumbler, commercial quality locks keyed like all other AJW cabinets.
- Spindles:** (U005) Fabricated of one-piece molded high impact black ABS material.
- Overall Size:** 8"W x 14"H x 6 3/4"D  
203mm x 356mm x 171mm
- Wall Opening:** 6 3/8"W x 12 3/8"H x 3 5/8"D  
162mm x 314mm x 93mm
- Capacity:** Two standard rolls with a 5 1/4" (133mm) OD.

## INSTALLATION

Coordinate installation with architect or contractor to avoid pipes, vents, etc. Provide a rough wall opening in mounting surface at desired or specified location. Open cabinet, remove spindles and insert into opening. Secure unit with proper fasteners per each application. Load toilet tissue on rollers, place in concealed track and close hood. Raise lower roll against upper and take hand away. Lower roll should fall into place with upper roll remaining up above the hood line. If loaded properly, top roll will not fall for use until bottom roll has been depleted. When servicing dispenser, full rolls must be used on both spindles to insure proper operation.

To meet ADA code, dispensers cannot have any type of control delivery. (4.16)

## NOTES

Formerly Model #: U841A



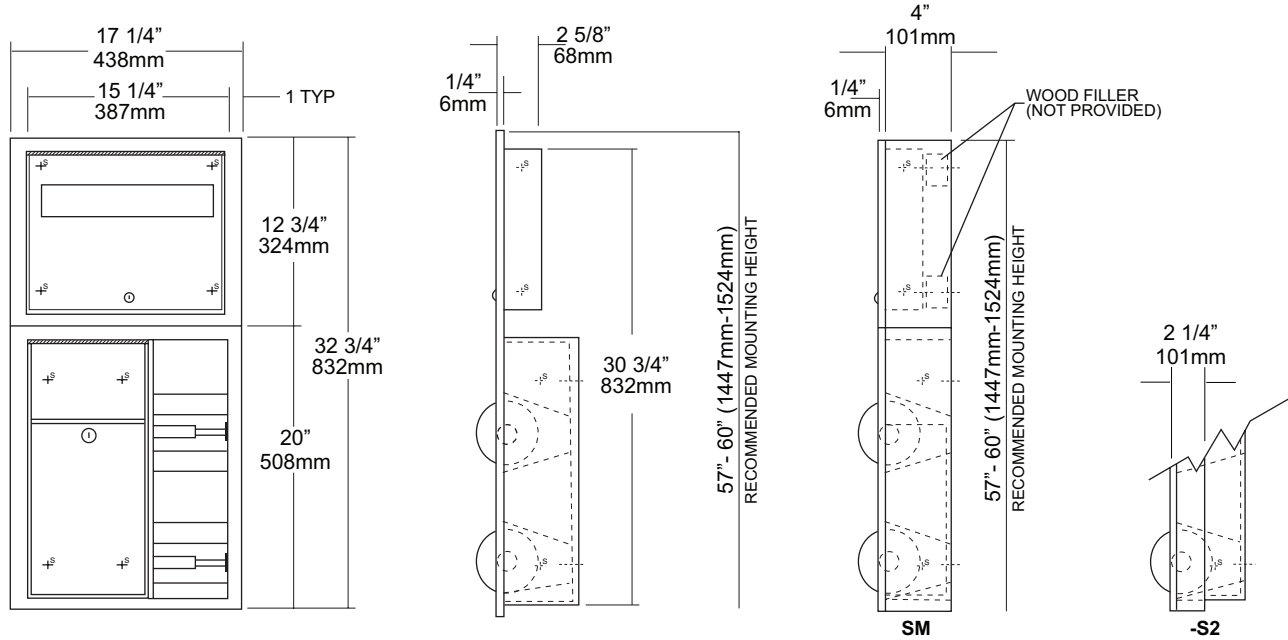
# U860

Seat Cover, Sanitary Napkin Disposal &  
Toilet Tissue Dispenser Combination Unit

Revision 03/11

JOB #:
ITEM #:
QUANTITY:

MOUNTING	HANDING	TYPE	SIZE	OTHER



### SPECIFICATIONS

**Cabinet:** Fabricated of #22 gauge stainless steel. All exposed surfaces have a #4 satin finish.

**Flange:** Fabricated of #22 gauge stainless steel one-piece drawn seamless construction. No seams or exposed miters with 1/4" returns to wall surface.

**Napkin Disposal:** Self closing push panel door is fabricated of #22 gauge stainless steel. Removable Waste is fabricated of same material with pin tumbler lock. Waste is identified with International Graphic symbol.

**Toilet Tissue Dispenser:** #22 gauge stainless steel hat adapters secure chrome plated, spring loaded rollers in place.

**U007 Theft Resistant Adapter:** Prevents spindle from being removed until roll has been depleted.

**Seat Cover Dispenser:** #22 gauge stainless steel secured by pin tumbler lock.

**Hinges:** All hinges are full length, heavy duty, stainless steel piano type hinges.

**Collars:** #22 ga stainless steel finished to match cabinet.

**Overall Size:** 17 1/4"W x 32 3/4"H x 4 1/4"D  
 438mm x 832mm x 108mm

**Wall Opening:** 15 3/4"W x 31 1/4"H x 4"D  
 400mm x 793mm x 102mm

**U860-S2:** 2" semi-recessed. collar, 2" wall opening, 51 mm

**U860-SM:** Full surface mounted collar.

**Waste Capacity:** 2 Gallons (.26 cu ft)

**Toilet Tissue:** Two standard rolls with a 5 1/4" (133mm) OD.

**Seat Cover Capacity:** 500

### INSTALLATION

Provide rough wall opening at desired or specified location of 15 3/4"W x 31 3/4"H. (Depth of opening will depend on type mounting required.) Place lower unit in opening. Before securing place seat cover dispenser in opening to ensure proper fit. If both units fit properly in opening, secure bottom unit than the top. If collars are required, place collar onto the units from the back before securing to mounting area. Fill seat cover dispenser and toilet tissue rolls.

**Toilet Paper Dispensers:** All dispensers that are to meet ADA code cannot have any type of controlled delivery. (4.16)

### NOTES



# U860A

## Seat Cover & Toilet Tissue Dispenser Combination Unit

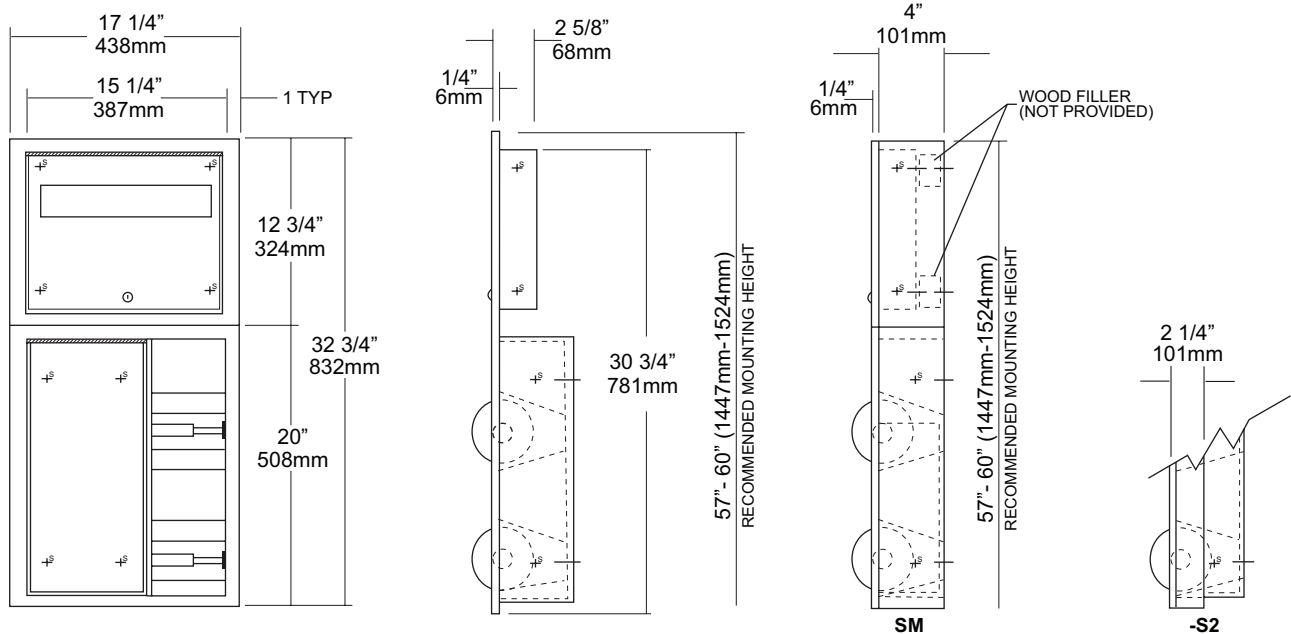
Revision 03/11

JOB #:

ITEM #:

QUANTITY:

MOUNTING	HANDING	TYPE	SIZE	OTHER



SPECIFICATIONS	INSTALLATION
----------------	--------------

**Cabinet:** Fabricated of #22 gauge stainless steel. All exposed surfaces have a #4 satin finish.

**Flange:** Fabricated of #22 gauge stainless steel one-piece drawn seamless construction. No seams or exposed miters with 1/4" returns to wall surface.

**Toilet Tissue Dispenser:** #22 gauge stainless steel hat adapters secure chrome plated, spring loaded rollers in place.

**U007 Theft Resistant Adapter:** Prevents spindle from being removed until roll has been depleted.

**Seat Cover Dispenser:** #22 gauge stainless steel secured by pin tumbler lock.

**Hinges:** All hinges are full length, heavy duty, stainless steel piano type hinges.

**Collars:** #22 ga stainless steel finished to match cabinet.

**Overall Size:** 17 1/4"W x 32 3/4"H x 4 1/4"D  
438mm x 832mm x 108mm

**Wall Opening:** 15 3/4"W x 31 1/4"H x 4"D  
400mm x 793mm x 102mm

**U860A-S2:** semi-recessed with 2" collar, 2" wall opening.

**U860A-SM:** Surface Mounted cabinet.

**Toilet Tissue:** Two standard rolls with a 5 1/4" (133mm) OD.

**Seat Cover Capacity:** 500

Provide rough wall opening at desired or specified location of 15 3/4"W x 31 1/4"H. (Depth of opening will depend on type mounting required.) Place lower unit in opening. Before securing place seat cover dispenser in opening to ensure proper fit. If both units fit properly in opening, secure bottom unit than the top. If collars are required, place collar onto the units from the back before securing to mounting area. Fill seat cover dispenser and toilet tissue rolls.

Toilet Paper Dispensers: All dispensers that are to meet ADA code cannot have any type of controlled delivery. (4.16)

**NOTES**