

date
projectname
attn
from
fax
email
phone

06-22-18
Barren Co ATC
Alliance Corporation
Atlas Metal Products



U124
Soap Dispenser

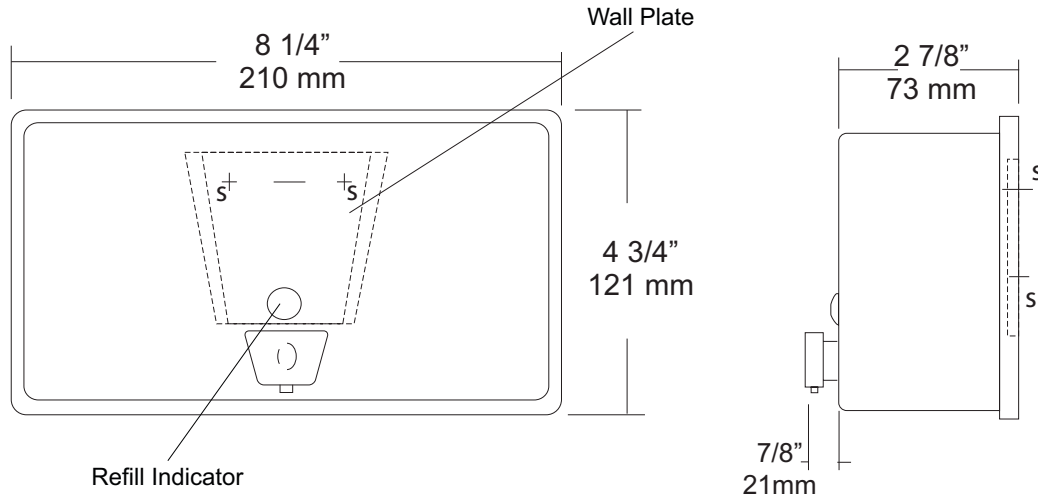
Revision 11/14

JOB #:

ITEM #:

QUANTITY:

MOUNTING	HANDING	TYPE	SIZE	OTHER



SPECIFICATIONS

Soap Tank: Fabricated of #20 ga stainless steel, #4 satin finish, fully welded one-piece construction.

Valve: All purpose antibacterial soap valve cylinder, black molded plastic push style valve that takes less than 5 lbs of force and one hand to operate complies with barrier free guidelines when mounted at proper height.

Viewer: Clear plastic window allows a constant fluid level check.

Concealed Mounting Plate: Fabricated of heavy gauge stainless steel.

Filler Cap: Fabricated of stainless steel, hinged to allow easy servicing, secured with special key that creates a vandal resistant dispenser.

Overall Size: 8 1/4"W x 4 3/4"H x 3 3/4"D
210mm x 121mm x 95mm (Horizontal Mounting)

Capacity: 40 oz.

Recommend type soaps without chloric solutions for proper operation.

INSTALLATION

Provide an area on mounting surface at desired or specified location. Secure concealed mounting plate to wall surface with proper fasteners. Slide dispenser down over mounting plate and secure by means of set screw located inside tank. Fill unit with proper soap. Close lid and secure with special key. Test valve for proper operation.

*It is not recommended to mount any soap dispenser on mirrors

**For best performance, use pre-mixed low concentrate solutions. Dispensers should have periodic maintenance performed to insure the life dispenser. Rinse out globe and valve with warm water to avoid sludge buildup.

Preventative Maintenance: Each dispenser should be flushed out aprx. Every 30 days with warm water to prevent valve from; clogging with old soap. Abrasive cleaners should not be used when wiping down dispenser.

NOTES



U1511EA Series

Low Profile Hands Free Dryer with
Universal Voltage

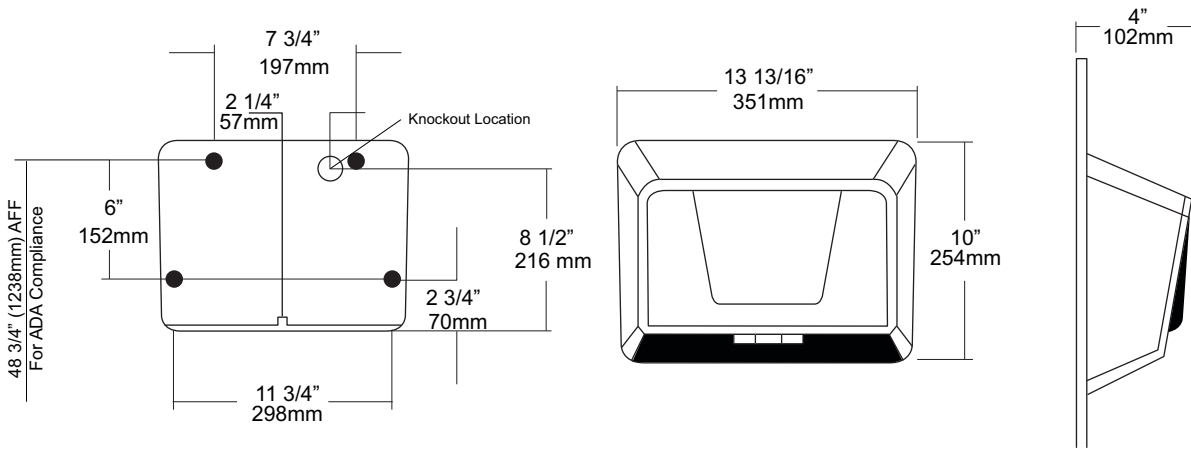
Revision 11/14

JOB #:

ITEM #:

QUANTITY:

MOUNTING	HANDING	TYPE	SIZE	OTHER



SPECIFICATIONS INSTALLATION

Element: Industrial strength coil wound on mica support protected by temperature limit.

Circuitry: Infrared microprocessor control allows multi- voltage application.

Assembly: Dual blower wheel and housing made of engineered thermoplastics powered by thermally protected brush motor. Assembled on a plated steel base plate for maximum strength and durability.

Cover and Finish:

U1511EA: Powder coated (white) formed steel alloy. Cover secured to base with theft resistant screws.

U1511EA-SF: satin stainless steel cover.

Overall Size: 13"W x 10"H x 4"D

Specifications:

Motor: 7500 RPM (Brushed motor)

Sound Level: 73 DB

Volts	Watts	Amps	Frequency
110-120	1800	15	50 hz or 60 hz
208-240	2400	10	50 hz or 60 hz

Coordinate installation with architect and contractor avoid interference with pipes, vents etc. Verify mounting height for each application for code compliance. Place template on wall surface and transfer mounting points, Drill holes for securing making sure power source is not be interrupted when base is installed, Remove cover. Unit must be installed by qualified licensed electricians. Properly connect power supply and test dryer for proper operation, Install cover and secure with theft resistant fasteners and test again. (15 second delay from when power is connected to when unit is operational)

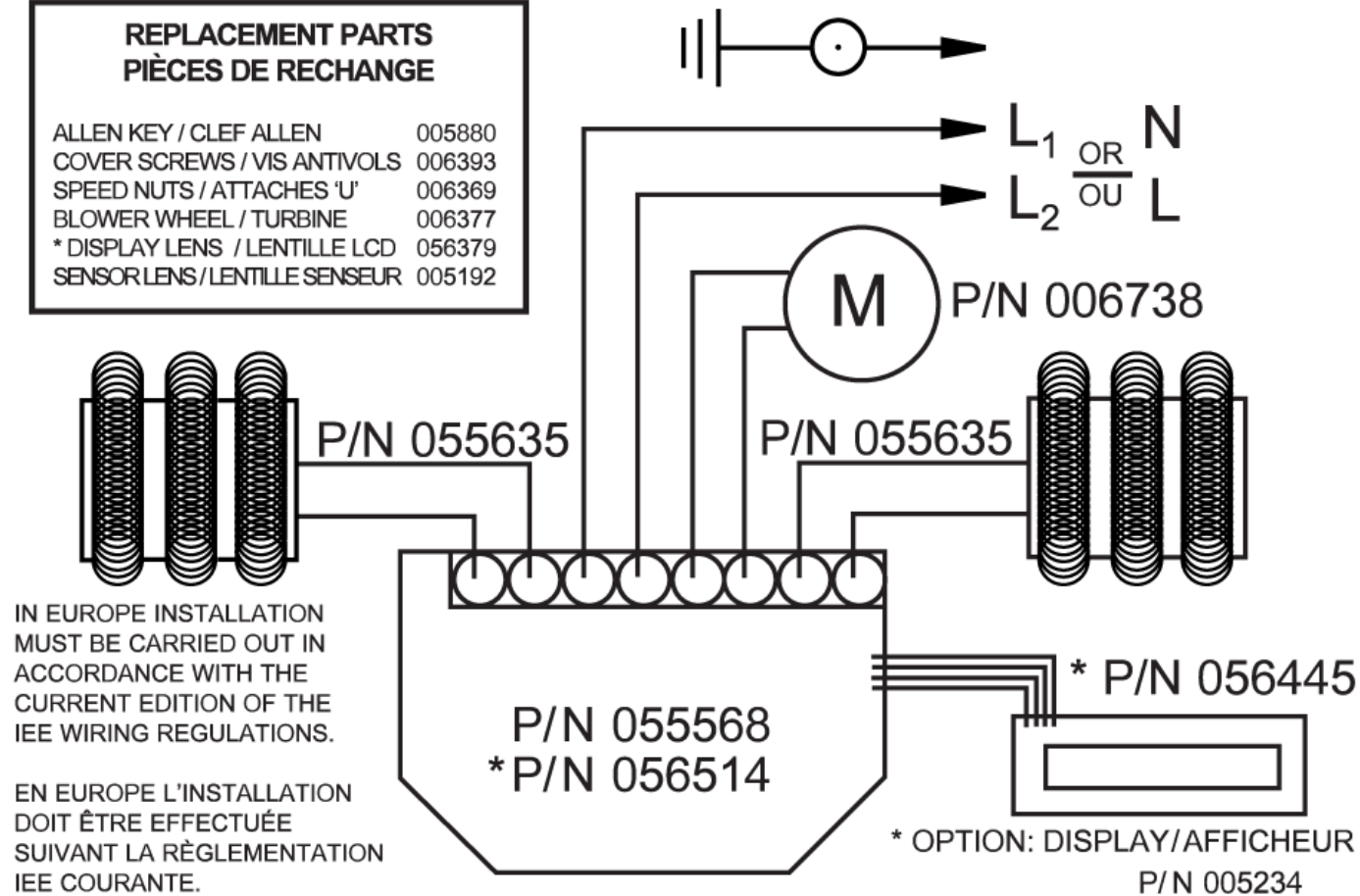
NOTES

Formerly Model #: U1511EA

THIS APPLIANCE MUST BE GROUNDED - CET APPAREIL DOIT ÊTRE MIS À LA TERRE

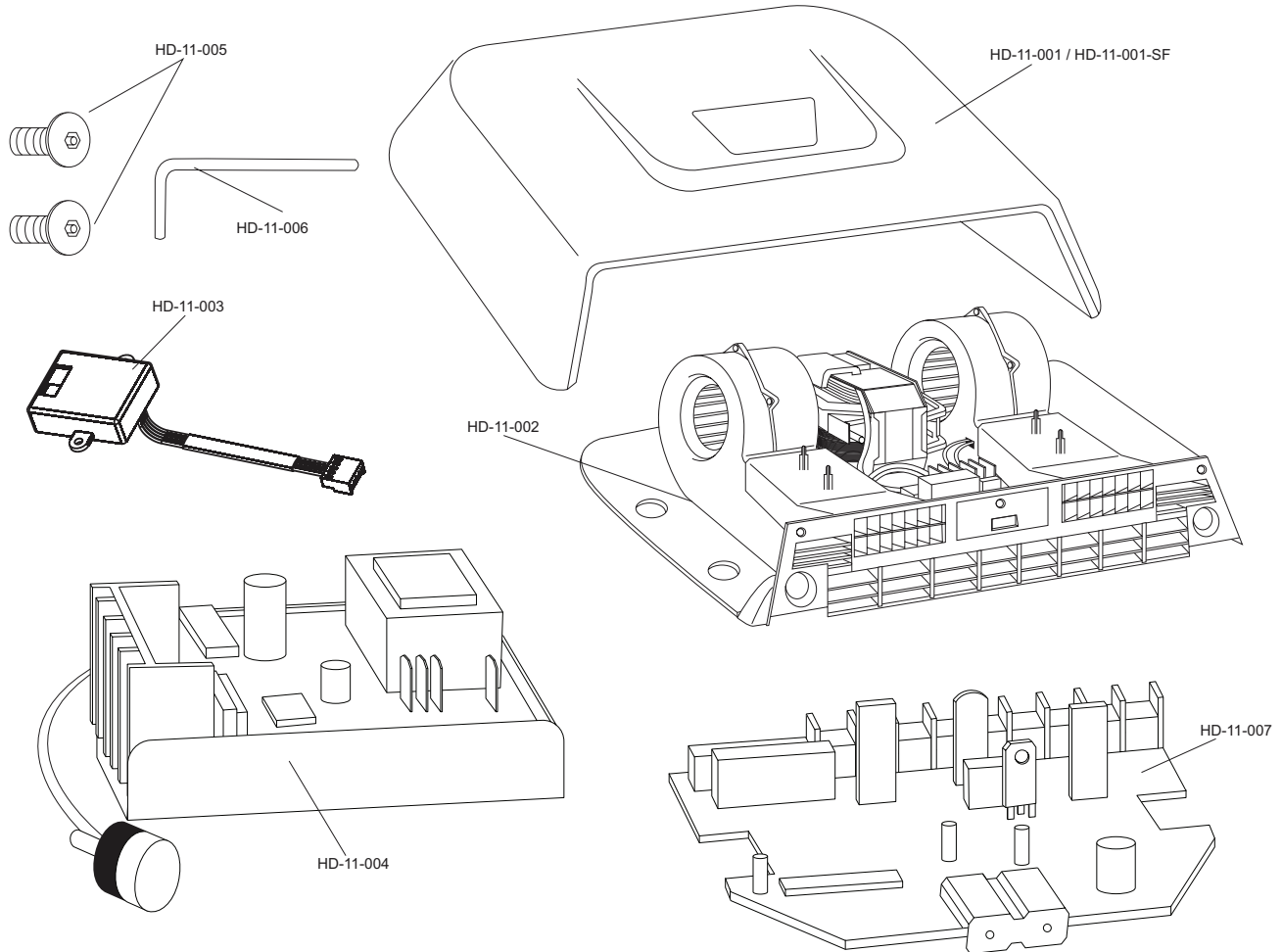
**REPLACEMENT PARTS
PIÈCES DE RECHANGE**

ALLEN KEY / CLEF ALLEN	005880
COVER SCREWS / VIS ANTIVOLS	006393
SPEED NUTS / ATTACHES 'U'	006369
BLOWER WHEEL / TURBINE	006377
* DISPLAY LENS / LENTILLE LCD	056379
SENSOR LENS / LENTILLE SENSEUR	005192



U1511EA Hand Dryer

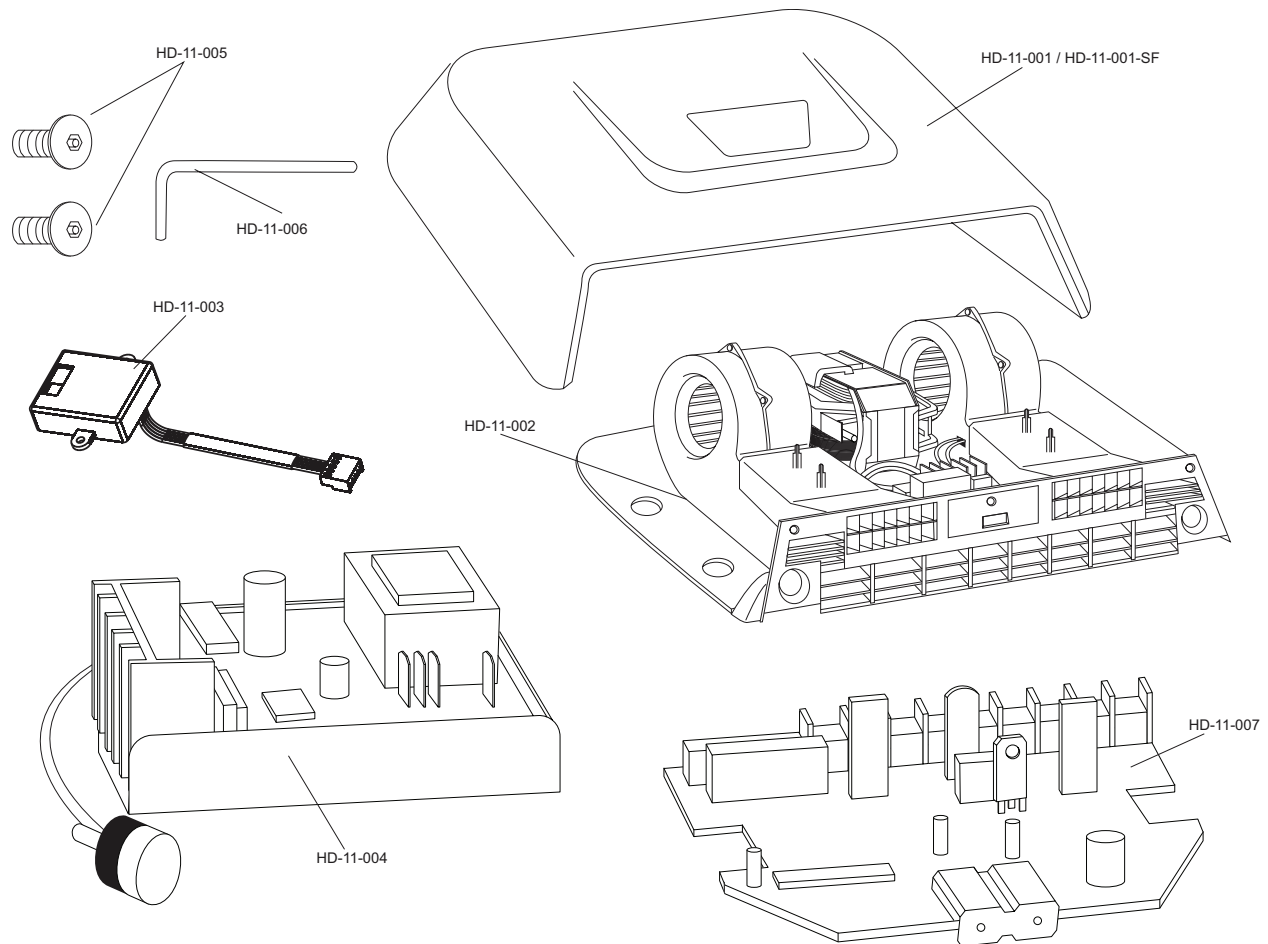
Part Diagram



Part Number	Part Description
HD-11-001 / HD-11-001-SF	White powder coated cover for U1511EA (Satin finish: HD-11-001-SF)
HD-11-002	Heating element for U1511EA.
HD-11-003	Automatic sensor for U1511EA
HD-11-004	Modular for U1511EA hand dryer
HD-11-005	Theft resistant fasteners for U1511EA
HD-11-006	Key for theft resistant fasteners
HD-11-007	Circuit Board

U1511EA Hand Dryer

Troubleshooting



TROUBLESHOOTING

1. The dryer will not run:

First ensure that the breaker supplying the dryer is operational. If it is, disconnect the power and remove the dryer cover. Taking suitable precautions to avoid shock hazard, reconnect the power and check for voltage at the wire leads. If there is power and the dryer will not run, replace circuit board.

2. The dryer cycles by itself, runs all the time or is not sensitive enough:

Ensure that there is no obstruction on or in front of the infra-red lens. Disconnect the power. Remove the dryer cover and the screws holding the circuit board. Ensure there are no obstructions between the infra-red "eyes" on the circuit board and the lens. If the problem persists, replace the circuit board.

3. The elements get hot but the motor does not turn:

Disconnect the power. Remove the dryer cover and check for obstructions in the fan housings. **Damaged fans must be replaced.** If there are no obstructions, the motor can be replaced.

4. The motor runs but the elements do not get hot:

Disconnect the power and remove the dryer cover. Check for loose or damaged wires. Remove the access cover on the blower housing. Check the element for signs of burning or breakage. Damaged elements must be replaced. If the element does not appear damaged, disconnect it at the circuit board and check for continuity across the two element wires. An open circuit indicates damage to the integral temperature

CARE & MAINTENANCE

Proper maintenance should be performed on the units at least every 6 months under normal use

1. Disconnect the electrical supply
2. Use the security hex driver to remove the three cover-mounted screws
3. Remove cover
4. Clean all dust and lint from the interior of the dryer
5. Replace the cover. Do not over tighten the screws
6. Wipe cover with a damp cloth. Never use abrasives to clean the cover

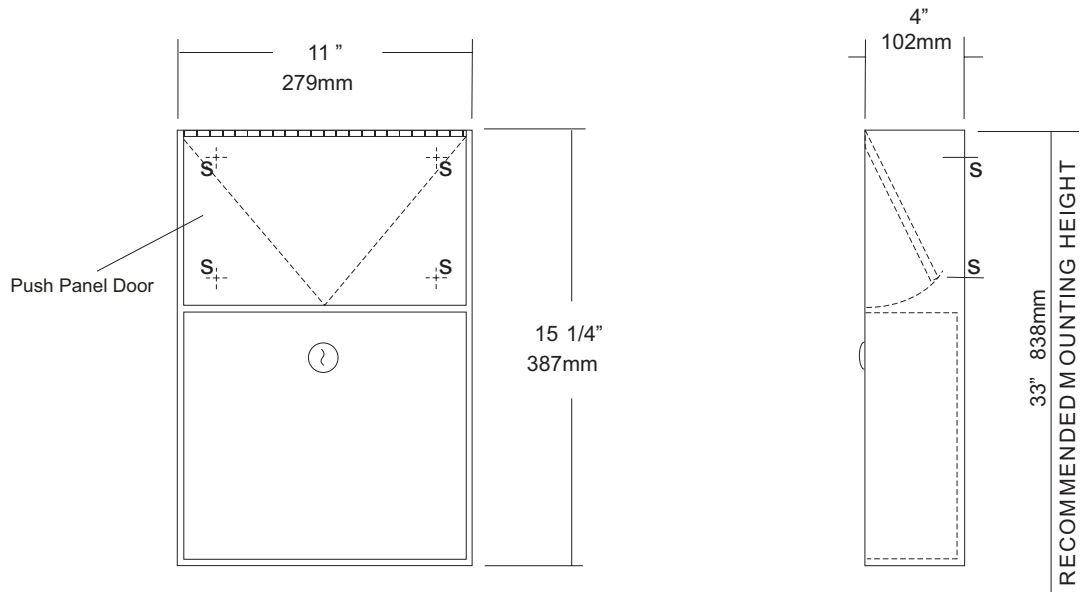
Note: Cleaning and maintenance must be performed by qualified electrical personnel



U582
 Surface Mounted Sanitary Napkin
 Disposal
 Revision 03/11

JOB #:
 ITEM #:
 QUANTITY:

MOUNTING	HANDING	TYPE	SIZE	OTHER



SPECIFICATIONS **INSTALLATION**

Cabinet Body: Fabricated of #22 ga stainless steel #4 satin finish,
Push Panel: Fabricated of #22 ga stainless steel self closing push panel. International graphic symbols are optional.
Waste: #22 ga stainless steel removable type waste secured by a pin tumbler lock. Optional finger grip in lieu of lock is available.
Locks: Pin tumbler commercial quality locks keyed like all other AJW cabinets,
Hinge: Full length, heavy duty, stainless steel piano type hinge,
Overall Size: 11"W x 15 1/4"H x 4"D
279mm x 387mm x 102mm
Capacity: 1.5 gallons (.2 cu ft.)
NDL-13-50: Waxed disposable liners. (50 per Case)
OPTIONS:
 -PW: Rigid plastic waste insert
 -IGS: International Graphic Symbol

Provide an area on wall surface at desired or specified location. Place unit on wall and verify unit is level. Transfer mounting point locations and drill pilot holes. Remove waste can and secure to wall surface with proper fasteners for each application.

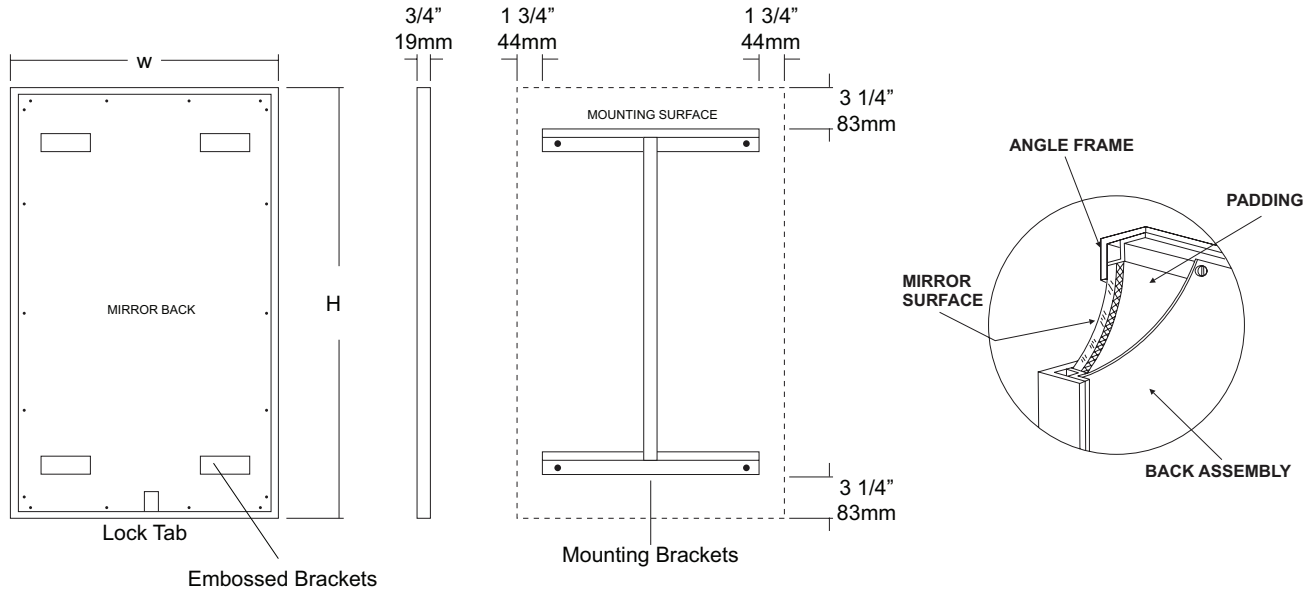
NOTES

JOB #:

ITEM #:

QUANTITY:

MOUNTING	HANDING	TYPE	SIZE	OTHER



SPECIFICATIONS

Frame: Fabricated of #18 ga stainless steel, #4 satin finish. 3/4" x 3/4" frame with welded mitered corners are ground and polished smooth. #22 ga concealed "Z" channel is spot welded to inner perimeter of frame for reinforcement and greater rigidity.

Mirror: 1/4" thick type 1 transparent flat type, class 1 - clear glass mirrors. Mirror is coated with silver and sealed with a uniform electrolytic copper plating, along with two coats of paint for added protection. Mirrors are guaranteed against silver spoilage for a period of 15 years. Mirrors conform to ASTM C1036 and ASTM C1503-R8.

Filler: 3/16" thick full size, shock absorbing, water resistant, non-abrasive polyethylene padding protects all concealed mirror surfaces.

Back: #20 ga pre-plated galvanized steel, with embossed horizontal louver mounting brackets. Embossed theft resistant pressure activated clip lock device, locks mirror in place to wall hangers. Back is secured to frame with concealed Phillips head screws.

Hangers: Fabricated of #20 ga pre-plated steel galvanized steel with mounting points.

Standard Sizes Available (W x H): 16"x24", 16"x20", 16"x30", 18"x24", 18"x30", 18"x36", 20"x60", 24"x30", 24"x36", 24"x42", 24"x48", 18"x60", 24"x60", 24"x72", 18"x72"

Options:

- LG:** Laminated Glass
- LX:** Polycarbonate
- PM:** Plastic Acrylic
- T:** Tempered Glass
- VC:** Vinyl Clad (Safety Glass)
- 8B:** #8 Reflective Stainless Steel

* Stainless steel mirrors reflect images in different optic quality than plate glass. There will be a slight distortion which increases proportionately with the mirror size. Therefore, AJW Architectural Products™ cannot be held responsible for quality of image.

** Mirrors are always ordered Width x Height

*** Recommended max size for 8B mirrors: 72" x 47-1/2"

**** Framed mirrors are fabricated to a tolerance of (+/-) 1/8"

***** Mirrors conform to Federal Specifications DD-M-00411b & DDg-541D.

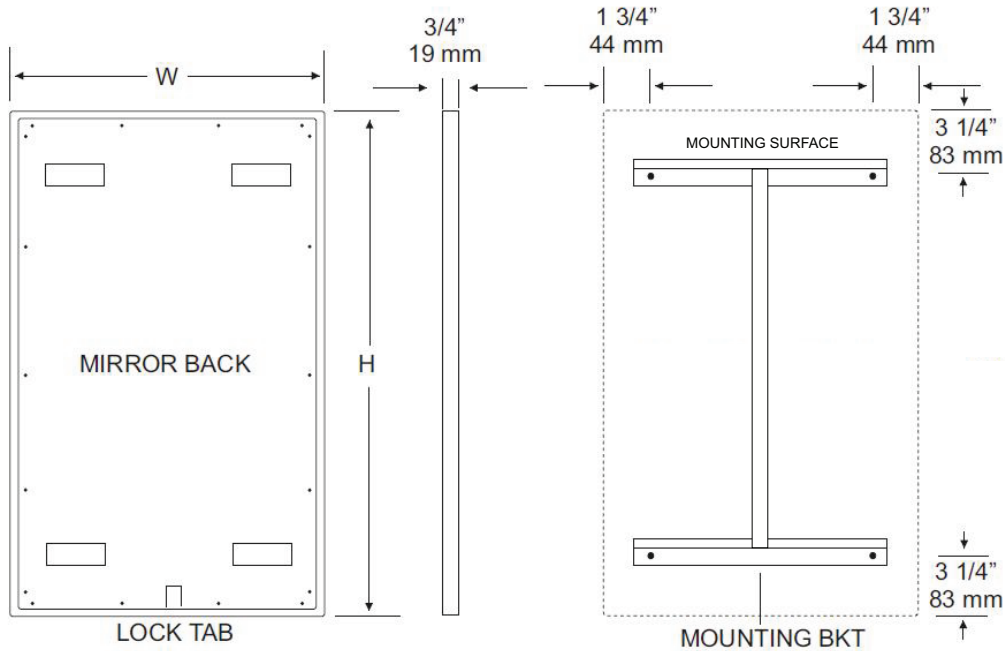
INSTALLATION

Coordinate installation with architect / contractor for specific mounting location and height for each mirror application. Making sure "I" bracket is level, transfer all mounting point locations to wall surface from drawing. Secure brackets with proper fasteners for each application. Slide mirror down over horizontal brackets until clip lock secures mirror in place. Mirror can only be removed by inserting tool through hole at bottom of frame depressing clip. This will allow mirror to slide up over brackets. Fillers are available if mirrors are mounted above and below tile line. (U004 Filler) filler material will match mirror frame to form a one piece construction.

To meet ADA Code, bottom edge of reflective surface can be no higher than 40" above finished floor. (4.19.6) Full length mirrors may be used for universal application when installed in correct locations.

Abrasive cleaners & chloric solutions should not be used on mirrors. Discoloring and /or scratching of frame and reflective surface may occur.

NOTES



INSTALLATION

Coordinate installation with architect / contractor for specific mounting location and height for each mirror application. Making sure "I" bracket is level, transfer all mounting point locations to wall surface from drawing. Secure brackets with proper fasteners for each application. Slide mirror down over horizontal brackets until clip lock secures mirror in place. Mirror can only be removed by inserting tool through hole at bottom of frame depressing clip. This will allow mirror to slide up over brackets. Fillers are available if mirrors are mounted above and below tile line. (U004 Filler) Filler material will match mirror frame to form a one piece construction.

To meet ADA Code, bottom edge of reflective surface can be no higher than 40" above finished floor. (4.19.6) Full length mirrors may be used for universal application when installed in correct locations.

CARE & CLEANING

Wipe mirrors with a soft cloth, taking special care to rub stainless steel frames with the grain to avoid scratching. Do not use abrasive cleaners containing chloric solutions on stainless steel frames. Glass Plus or other window cleaning products are ideal.



U840 Toilet Tissue Dispenser

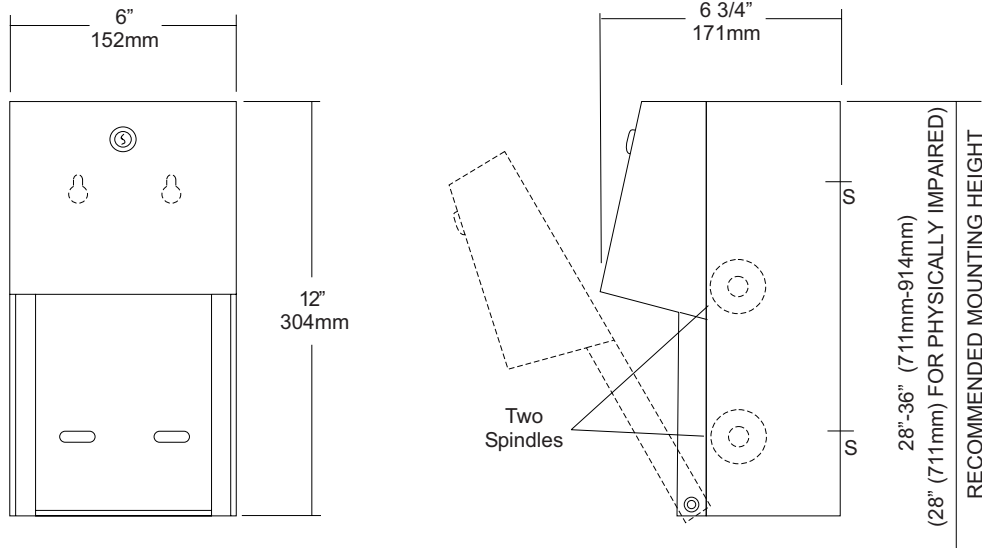
Revision 03/11

JOB #:

ITEM #:

QUANTITY:

MOUNTING	HANDING	TYPE	SIZE	OTHER



SPECIFICATIONS

- Body:** Fabricated of #22 ga stainless steel with #4 satin finish. Concealed inner dispensing mechanism is #18 ga stainless steel.
- Back:** Fabricated of #18 ga stainless steel with multiple welds to cabinet body forming a one piece construction.
- Hood:** Fabricated of #18 ga stainless steel finished to match cabinet body. Hood is secured with stainless steel hinge rivets to cabinet body. Top roll of tissue will not drop down unless the bottom roll has been depleted. When unit is closed, this will provide a theft resistant, non-control operation and reduce vandalism.
- Locks:** Pin tumbler, commercial quality locks keyed like all other AJW cabinets.
- Spindles:** (U005) Fabricated of one-piece molded high impact black ABS material.
- Overall Size:** 6"W x 12"H x 6 3/4"D
152mm x 305mm x 171mm
- Capacity:** Two standard rolls with a 5 1/4" (133mm) OD..

INSTALLATION

Provide an area on mounting surface at desired or specified location. Open cabinet, remove spindles and hold unit to wall at desired location. Transfer mounting points and drill pilot holes. Secure unit with proper fasteners per each application. Load toilet tissue on rollers, place in concealed track and close hood. Raise lower roll against upper and take hand away. Lower roll should fall into place with upper roll remaining up above the hood line. If loaded properly, top roll will not fall for use until bottom roll has been depleted. When servicing dispenser, full rolls must be used on both spindles to insure proper operation.

All toilet tissue dispensers that meet ADA code cannot have any type of control delivery. (4.16)

NOTES

Formerly Model #: U840A



UG3-A

Grab Bars

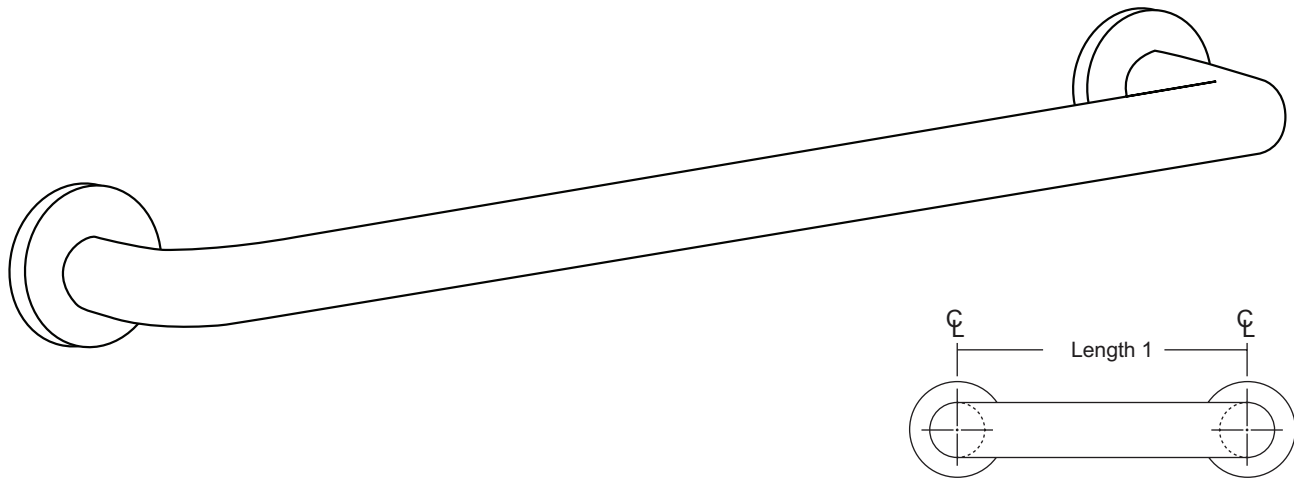
Revised 03/11

JOB #:

ITEM #:

QUANTITY:

MOUNTING	HANDING	TYPE	SIZE	OTHER



SPECIFICATIONS & INSTALLATION

Tubing: Fabricated of #18 ga stainless steel with a #4 satin finish. Available in 1 1/2" outside diameter. All bends are formed by an automatic mandrel bending process. All bars maintain a constant 1 1/2" offset.

Finish: Standard finish is a #4 satin finish. For a non-slip finish (peened) add suffix X to model number. (Ex. UG3X-A)

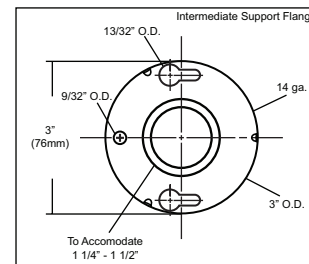
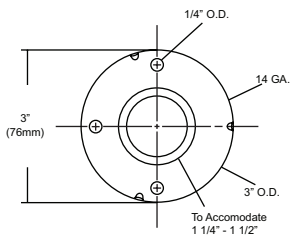
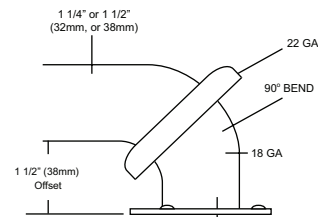
Flanges: Snap flanges are fabricated of 3" diameter, 3/8" deep drawn #22 ga stainless steel with #4 satin finish to match tubing. Flanges have dimples that secure over mounting plate.

Strength: Bars with a 1 1/2" offset clearance will support loads in excess of 900lbs when properly installed. Bars with greater offsets will support loads up to 250lbs when properly installed.

Installation: Before installing grab bars, verify with all state and local codes for requirements on bar diameter and type finish. Recommended mounting heights for grab bars are 33" - 36" centerline above finished floor. All mounting of grab bars when possible should have in wall mounting back plates. Find centerline mounting points and place bar on line making sure to be on center. Transfer mounting points (3 per flange) to wall. Drill pilot holes and secure bar with proper anchors per application. Snap cover over mounting plate.

Standard Lengths (Other sizes available upon request): 12", 16", 18", 24", 30", 32", 36", 42", 48", 50", 52", 54", 56"

FLANGE INFORMATION



NOTES