

date  
projectname  
attn  
from  
fax  
email  
phone

06/08/2021  
Deltek  
CB  
CB  
cynthiabelisle@deltek.com  
214-616-1580



# U830

Jumbo Roll Toilet Tissue Dispenser

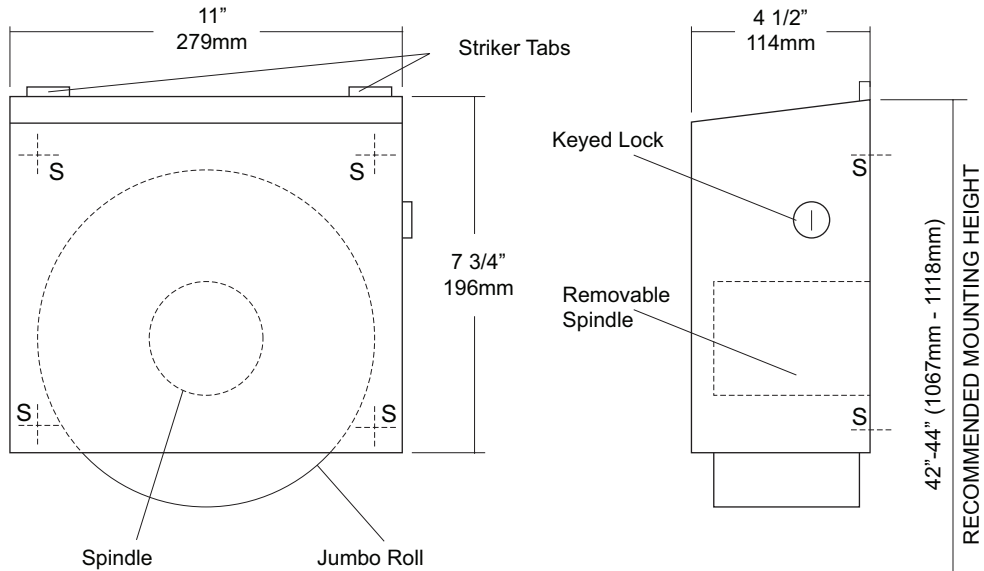
Revision 03/11

JOB #:

ITEM #:

QUANTITY:

MOUNTING	HANDING	TYPE	SIZE	OTHER



## SPECIFICATIONS      INSTALLATION

**Body:** Fabricated of #22 ga stainless steel with a #4 satin finish, with one piece unibody construction. Sloping hood prevents articles such as cigarettes on top of unit that may cause a fire.

**Cabinet Back:** Fabricated of #22 ga stainless steel formed for rigidity. One piece back is equipped with striker tabs.

**Spindles:** Unit is equipped with a solid white ABS spindle and a capped stainless steel 1 1/4" diameter spindle. Unit will hold one 9" diameter roll with a core diameter of 1 3/8" - 3 1/4". (Non-control delivery)

**Hinges:** Heavy duty, stainless steel piano type hinge.

**Locks:** Pin tumbler, commercial quality keyed like all other AJW cabinets.

**Overall Size:** 11"W x 7 3/4"H x 4 1/2"D  
**254mm x 305mm x 108mm**

**Capacity:** One 9" OD (229mm) jumbo tissue roll

Provide an area on wall at desired or specified location. Unlock cabinet and place unit on wall making sure cabinet is level. Transfer mounting points to surface and drill pilot holes. Secure unit with proper fasteners per application. Load toilet tissue on spindle and close cabinet.

Toilet Paper Dispensers: All dispensers that are to meet ADA code cannot have any type of controlled delivery. (4.16)

## NOTES

Formerly Model #: U830A



# U832

## Jumbo Roll Toilet Tissue Dispenser

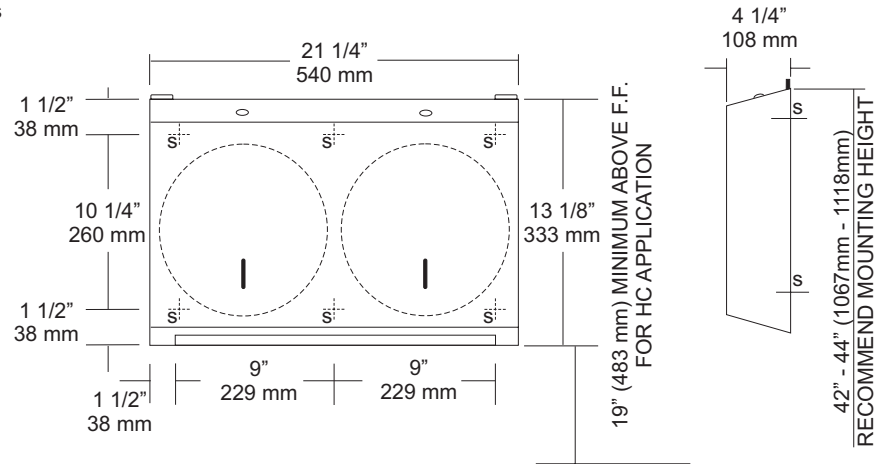
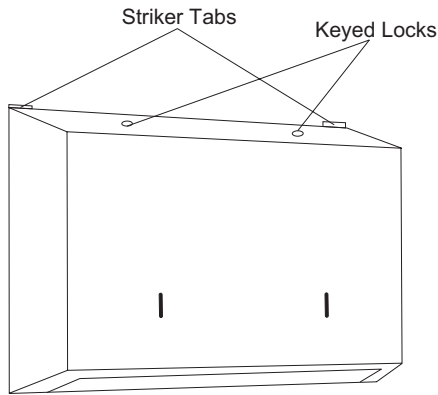
Revision 03/11

JOB #:

ITEM #:

QUANTITY:

MOUNTING	HANDING	TYPE	SIZE	OTHER



### SPECIFICATIONS

**Body:** Fabricated of #18 ga stainless steel with a #4 satin finish, with one piece unibody construction. Sloping hood prevents articles such as cigarettes on top of unit that may cause a fire. Body equipped with refill viewer.

**Cabinet Back:** Fabricated of #22 ga stainless steel formed for rigidity. One piece back is equipped with striker tabs.

**Tissue Guide:** Fabricated of #22 ga stainless steel hemmed and deburred to prevent injury and tissue tearing.

**Spindles:** Unit is equipped with a solid white ABS spindle and a capped stainless steel 1 1/4" diameter spindle. Unit will hold two 9" diameter rolls with a core diameter of 1 3/8" - 3 1/4". (Non-control delivery)

**Hinges:** Heavy duty, stainless steel piano type hinge.

**Locks:** Pin tumbler, commercial quality keyed like all other AJW cabinets.

**Overall Size:** 21 1/4"W x 13 1/8"H x 4 1/4"D  
**540mm x 333mm x 108mm**

**Capacity:** Two 9" OD (229mm) jumbo tissue rolls

### INSTALLATION

Provide an area on wall at desired or specified location. Unlock cabinet and place unit on wall making sure cabinet is level. Transfer mounting points to surface and drill pilot holes. Secure unit with proper fasteners per application. Load toilet tissue on spindles and close cabinet.

Toilet Paper Dispensers: All dispensers that are to meet ADA code cannot have any type of controlled delivery. (4.16)

### NOTES

Formerly Model #: U832A



# U834

## Jumbo Roll Toilet Tissue Dispenser

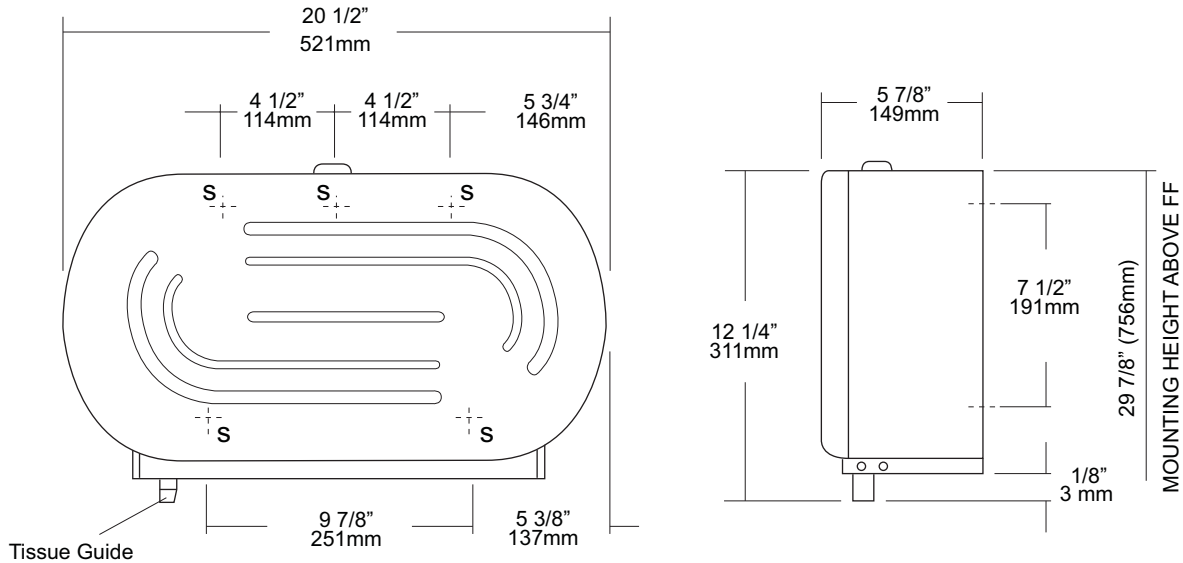
Revision 03/11

JOB #:

ITEM #:

QUANTITY:

MOUNTING	HANDING	TYPE	SIZE	OTHER



### SPECIFICATIONS

- Body:** Fabricated of #20 ga stainless steel with a #4 satin finish with a smooth radius silhouette,
- Cabinet Door:** Drawn one piece construction, fabricated of #18 gauge stainless steel finished and grain to match cabinet body, Door is secured to body by means of oversized heavy duty rivets,
- Tissue Guide:** Spring loaded ABS guide,
- Spindles:** Unit will hold two 9" diameter rolls with a core diameter of 1 3/8" - 3 1/4" (Non-control delivery) by removing the outer spindle,
- Locks:** Commercial quality, pin tumbler lock.
- Overall Size:** 20 1/2"W x 12 1/4"H x 5 7/8"D  
**521mm x 311mm x 149mm**
- Capacity:** Two 9" OD (229mm) jumbo tissue rolls

### INSTALLATION

Provide an area on wall at desired or specified location. Unlock cabinet and place unit on wall making sure cabinet is level. Transfer mounting points to surface and drill pilot holes. Secure unit with proper fasteners per application. Load toilet tissue on spindles and close cabinet.  
Toilet Paper Dispensers: All dispensers that are to meet ADA code cannot have any type of controlled delivery. (4.16)

### NOTES



# U838

## Jumbo Roll Toilet Tissue Dispenser

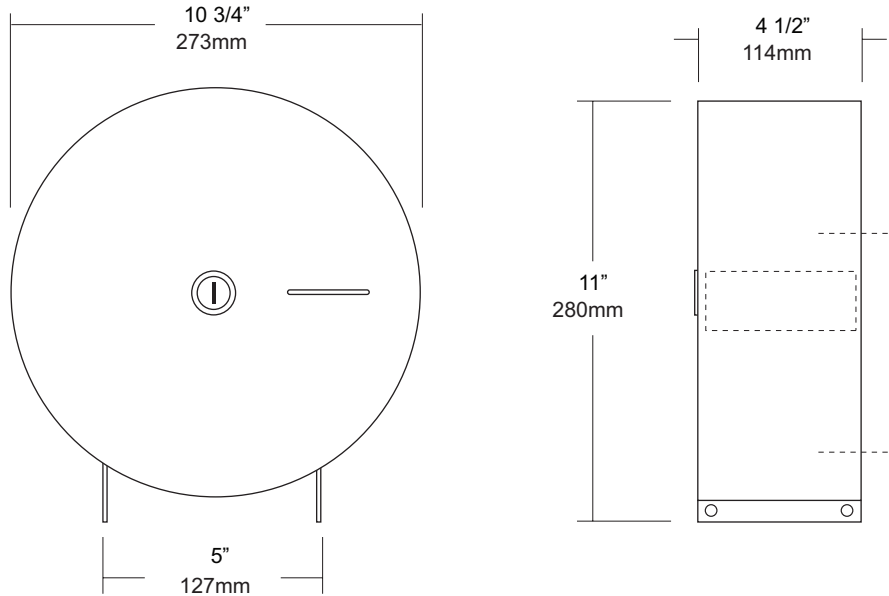
Revision 02/14

JOB #:

ITEM #:

QUANTITY:

MOUNTING	HANDING	TYPE	SIZE	OTHER



### SPECIFICATIONS

**Cabinet:** Fabricated of #20 ga stainless steel with a #4 satin finish, and stainless steel pivot hinges that secure cabinet to mounting bracket. Body equipped with refill viewer. Non-control delivery system complies with ADA code.

**Dispensing Area:** Paper is dispensed without any sharp edges.

**Locks:** Special keyed lock secures cabinet to non-removable spindle.

**Overall Size:** 10 3/4"W x 11"H x 4 1/2"D

**273mm x 279mm x 114mm**

**Capacity:** One 9" OD or 10" OD jumbo tissue roll

### INSTALLATION

Provide an area on wall at desired or specified location. Unlock cabinet and place unit on wall making sure cabinet is level. Transfer mounting points to surface and drill pilot holes. Secure unit with proper fasteners per application. Load toilet tissue on spindle and close cabinet.

Toilet Paper Dispensers: All dispensers that are to meet ADA code cannot have any type of controlled delivery. (4.16)

### NOTES



**UP830**  
Jumbo Roll Toilet Tissue Dispenser

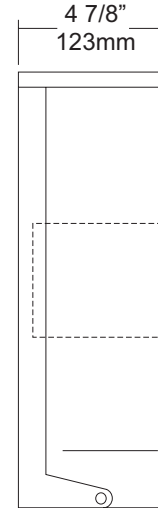
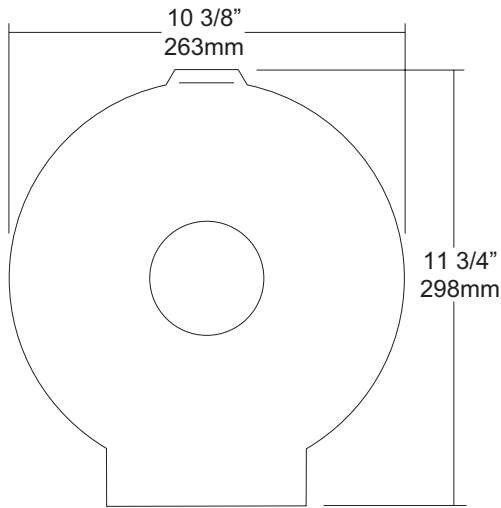
Revision 03/11

JOB #:

ITEM #:

QUANTITY:

MOUNTING	HANDING	TYPE	SIZE	OTHER



**SPECIFICATIONS**

**Body:** Fabricated of high impact ABS material.  
**Cover:** Fabricated of translucent, high impact ABS material that allows a constant visual paper level check. The cover is secured with special key for security.  
**Spindle:** Fixed spindle that is an integral part of the cabinet body. Spindle will hold rolls with a 3" diameter core.  
**Overall Size:** 10 3/8"W x 11 3/4"H x 4 7/8"D  
**264mm x 298mm x 111mm**  
**Capacity:** One 9" OD (229mm) jumbo tissue roll

**INSTALLATION**

Provide an area on wall surface at desired or specified location. Hold unit up to wall making sure unit is level and transfer mounting points. Drill pilot holes and secure with proper fasteners per application. Load toilet tissue and secure cabinet cover.  
 All toilet tissue dispensers should not have any type controlled delivery to meet ADA code. (4.16) Code requires area that dispenses paper be minimum 19" above finished floor.

**NOTES**



**UP832**  
Jumbo Roll Toilet Tissue Dispenser

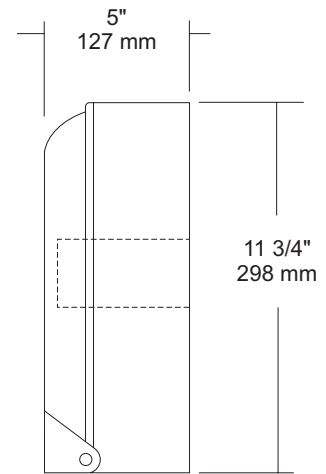
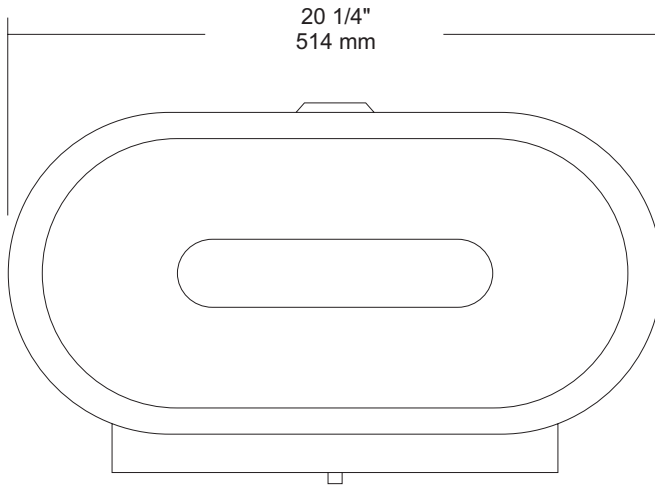
Revision 03/11

JOB #:

ITEM #:

QUANTITY:

MOUNTING	HANDING	TYPE	SIZE	OTHER



**SPECIFICATIONS**

**Body:** Fabricated of high impact ABS material.  
**Cover:** Fabricated of translucent, high impact ABS material that allows a constant visual paper level check. The cover is secured with special key for security.  
**Spindles:** Fixed spindles that are an integral part of the cabinet body. Spindle will hold rolls with a 3" diameter core.  
**Overall Size:** 20 1/4"W x 11 3/4"H x 5"D  
**514mm x 298mm x 127mm**  
**Capacity:** Two 9" OD (229mm) jumbo tissue rolls

**INSTALLATION**

Provide an area on wall surface at desired or specified location. Hold unit up to wall making sure unit is level and transfer mounting points. Drill pilot holes and secure with proper fasteners per application. Load toilet tissue and secure cabinet cover. All toilet tissue dispensers should not have any type controlled delivery to meet ADA code. (4.16) Code requires area that dispenses paper be minimum 19" above finished floor.

**NOTES**