

date
projectname
attn
from
fax
email
phone

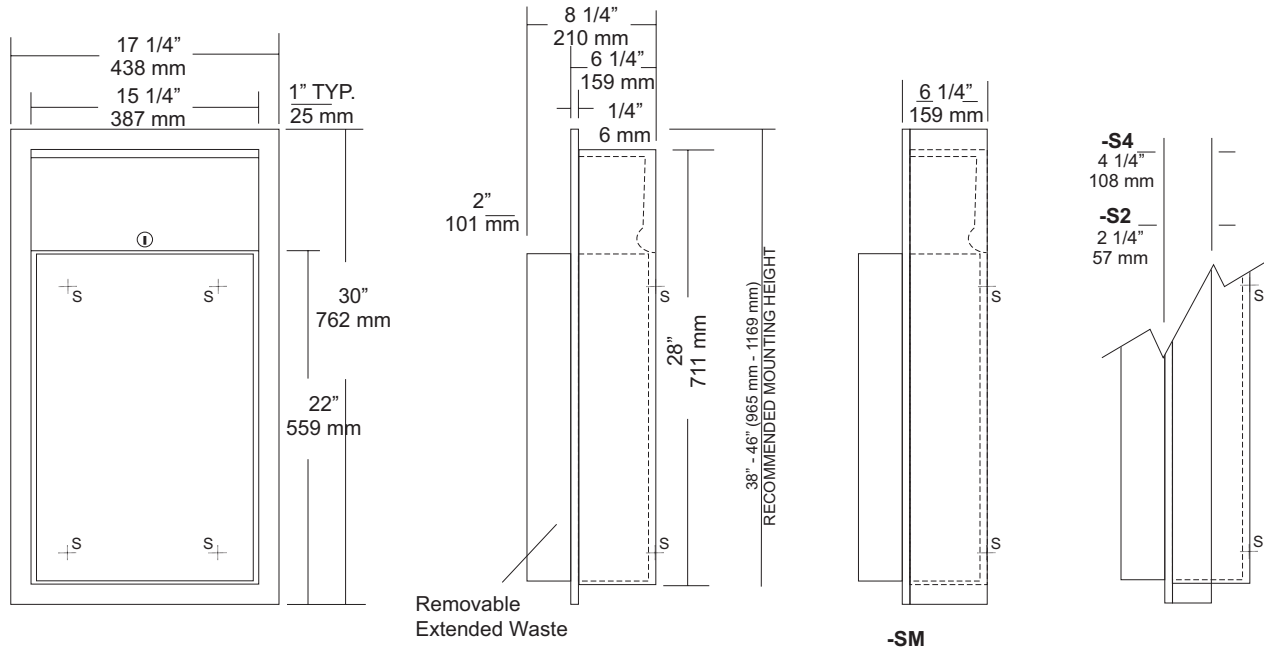
10/9/23
USF Taneja
Jake Ingram Barr & Barr
Taylor Bell
813-741-9919
taylor813@gmail.com
813-741-9926

JOB #:

ITEM #:

QUANTITY:

MOUNTING	HANDING	TYPE	SIZE	OTHER
----------	---------	------	------	-------



SPECIFICATIONS

Body: Fabricated of #22 ga stainless steel with #4 satin finish on all exposed areas.

Flange: Fabricated of #22 ga stainless steel finished to match cabinet. One piece construction without miters or welds with 1/4" returns to wall surface for maximum strength.

Back: Fabricated of stainless steel formed for rigidity with multiple welds to cabinet body to form a one-piece construction.

Removable Waste: Fabricated of #22 ga stainless steel with #4 satin finish with hemmed edges and radius corners. Hook tabs allow liner to be installed are an integral part of waste can. Waste is secured in place by tumbler lock and bottom hanger.

Lock: Pin tumbler, commercial quality, keyed like all other AJW cabinets.

Collars: Fabricated of #22 ga stainless steel, sized & finished to match cabinet. (Used for surface mounting & semi-recessing)

Overall Size: 17 1/4"W x 30"H x 8 1/4"D (2" ext. waste)
438mm x 762mm x 210mm

Wall Opening: 15 3/4"W x 28 1/2"H x 6"D
400mm x 724mm x 152mm

U414-S2: semi-recessed 2" collar (4" wall open.102mm)

U414-S4: semi-recessed 4" collar (2" wall open.51mm)

U414-SM: Surface mounting collar

Waste Capacity: 12 gallons (1.6 cu ft)

Options:

- VL1: Re-usable vinyl liner
- CV: Covered Waste

INSTALLATION

Coordinate installation with architect and contractor. Provide a wall opening 15 3/4"W x 28 1/2"H . Wall depth will vary if collars are required. Remove waste from cabinet and insert into opening. Secure unit with proper fasteners for each application. Make sure each unit is plumb and true. Secure unit in cabinet by locking in place by tumbler lock. Liners may be installed. (VL1 Re-usable liner)

If semi-recessed cabinets are required see specification for wall depth's.

NOTES



U580
Partition Mounted Sanitary Napkin
Disposal

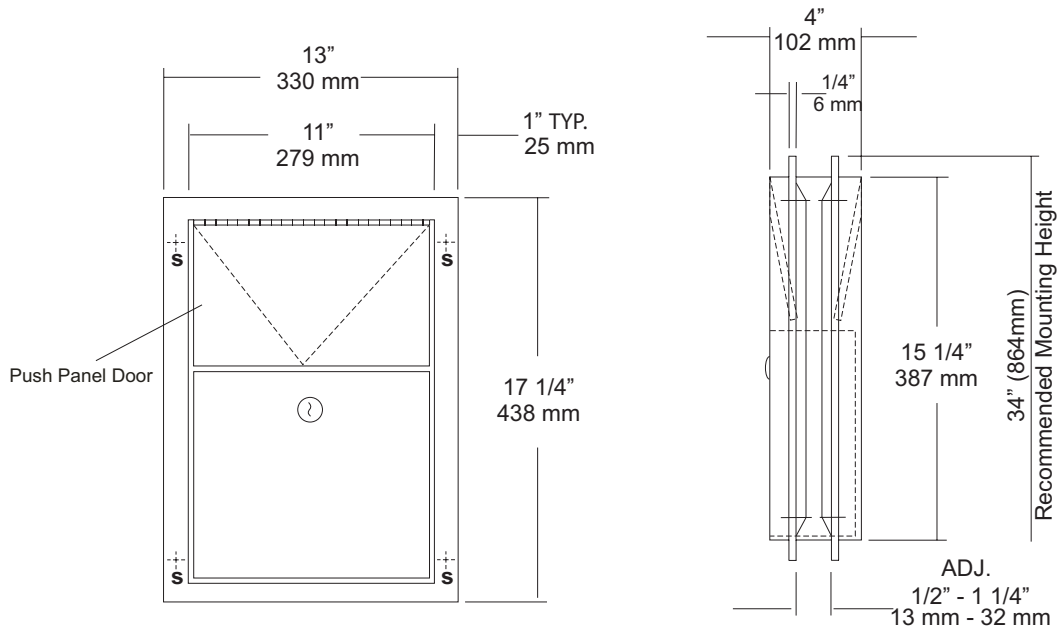
Revision 09/13

JOB #:

ITEM #:

QUANTITY:

MOUNTING	HANDING	TYPE	SIZE	OTHER



SPECIFICATIONS

Body: Fabricated of #22 ga stainless steel, #4 satin finish.
Flanges: Fabricated of #22 ga stainless steel, drawn one-piece construction with 1/4" returns to wall surface. One flange is welded to body the other is adjustable to fit 1/2" - 1 1/4" thick partitions. (No miters or welds).
Push Panels: Fabricated of #22 ga stainless steel self closing push panel door. *International graphic symbol optional*
Waste: #22 ga stainless steel removable from one side with pin tumbler type lock securing in place. Optional finger grip in lieu of lock
Locks: Pin tumbler locks keyed like all other AJW cabinets.
Hinges: Full length, heavy duty, stainless steel piano type.
Overall Size: 13"W x 17 1/4"H x 4"D
330mm x 438mm x 108mm
Wall Opening: 11 1/2"W x 15 3/4"H
292mm x 400mm
Capacity: 1.5 gallons (.2 cu ft)
NDL-13-50: Waxed disposable liners. (50 per Case)
U580-PW: Same as U580 with plastic removable waste.

INSTALLATION

Provide a rough partition opening 11 1/2"W x 15 3/4"H. Remove adjustable flange and place unit into opening. Secure welded flange to partition at four points making sure unit fits flush and is level. Place adjustable flange over unit and secure to partition the same way as the fixed flange. Be sure the proper fasteners are used for each application.

NOTES



U832

Jumbo Roll Toilet Tissue Dispenser

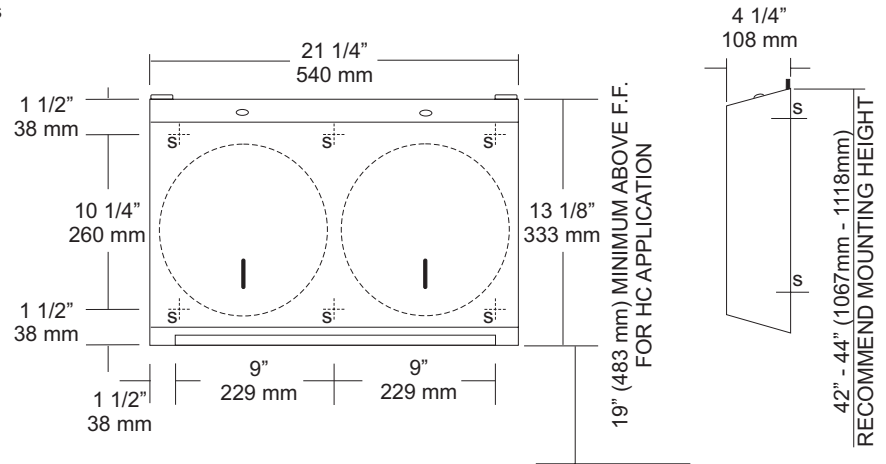
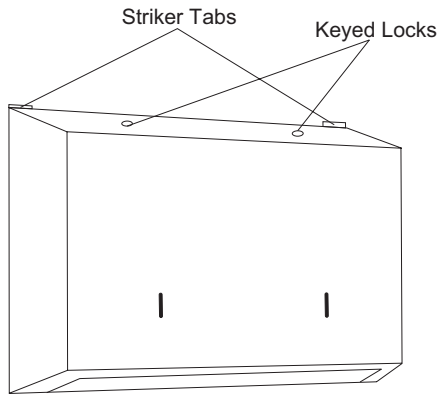
Revision 03/11

JOB #:

ITEM #:

QUANTITY:

MOUNTING	HANDING	TYPE	SIZE	OTHER



SPECIFICATIONS

Body: Fabricated of #18 ga stainless steel with a #4 satin finish, with one piece unibody construction. Sloping hood prevents articles such as cigarettes on top of unit that may cause a fire. Body equipped with refill viewer.

Cabinet Back: Fabricated of #22 ga stainless steel formed for rigidity. One piece back is equipped with striker tabs.

Tissue Guide: Fabricated of #22 ga stainless steel hemmed and deburred to prevent injury and tissue tearing.

Spindles: Unit is equipped with a solid white ABS spindle and a capped stainless steel 1 1/4" diameter spindle. Unit will hold two 9" diameter rolls with a core diameter of 1 3/8" - 3 1/4". (Non-control delivery)

Hinges: Heavy duty, stainless steel piano type hinge.

Locks: Pin tumbler, commercial quality keyed like all other AJW cabinets.

Overall Size: 21 1/4"W x 13 1/8"H x 4 1/4"D
540mm x 333mm x 108mm

Capacity: Two 9" OD (229mm) jumbo tissue rolls

INSTALLATION

Provide an area on wall at desired or specified location. Unlock cabinet and place unit on wall making sure cabinet is level. Transfer mounting points to surface and drill pilot holes. Secure unit with proper fasteners per application. Load toilet tissue on spindles and close cabinet.

Toilet Paper Dispensers: All dispensers that are to meet ADA code cannot have any type of controlled delivery. (4.16)

NOTES

Formerly Model #: U832A



U8504

Uni-Door Seat Cover Dispenser

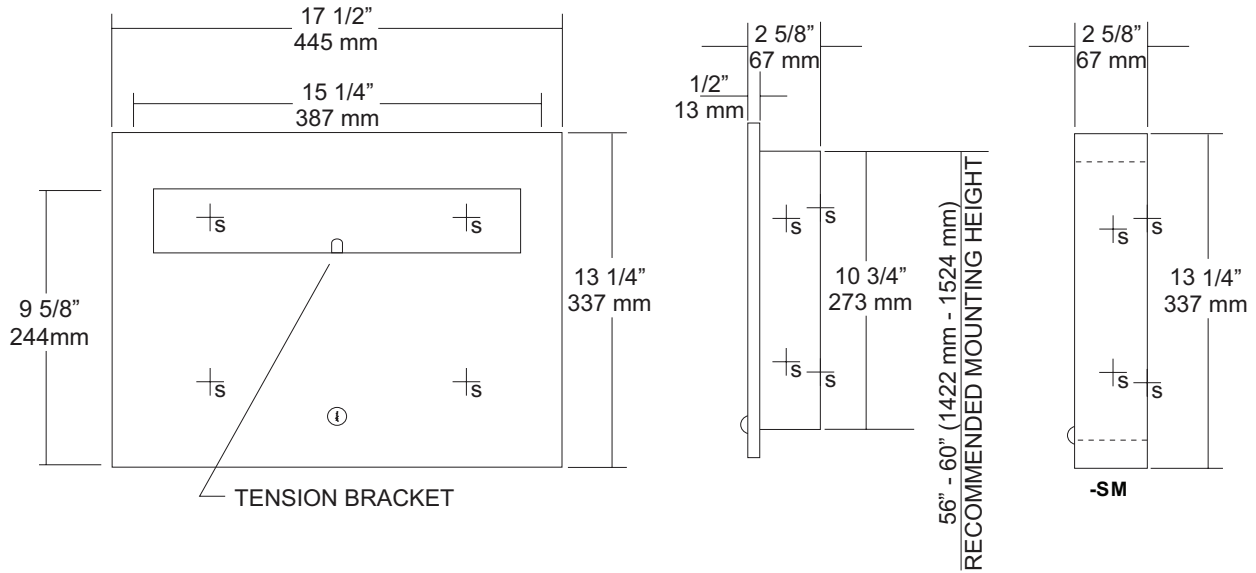
Revision 05/11

JOB #:

ITEM #:

QUANTITY:

MOUNTING	HANDING	TYPE	SIZE	OTHER



SPECIFICATIONS

Body: Fabricated of #22 gauge stainless steel with a #4 satin finish on all exposed surfaces.

Flange: #22 gauge stainless steel with 1/4" returns to wall without any miters.

Uni-Door: #18 ga stainless steel door. Seat cover dispensing area (on both units) are deburred and polished smooth to avoid paper tearing and injury.

Hinge: Full length, stainless steel piano type hinge.

Lock: Pin tumbler commercial quality, keyed like all other AJW cabinets.

Overall Size: 17 1/2"W x 13 1/4"H x 2 5/8"D
445mm x 337mm x 68mm

Wall Opening: 15 3/4"W x 11 1/4"H x 2 5/8"D
400mm x 286mm x 60mm

U8504-SM: Surface mounted unit

Capacity: 500 seat covers

INSTALLATION

Provide required wall opening at desired or specified location with coordination with architect or contractor to avoid interference with pipes, vents, etc. Unlock cabinet and place unit in opening. Secure to rough framing with proper fasteners per each application. Fill dispenser with product and secure cabinet door.

NOTES