

date  
projectname  
attn  
from  
fax  
email  
phone

JANUARY 10, 2024  
COMSTOCK STY 3  
KATIE DELMORE

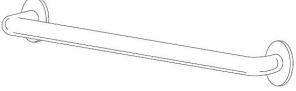
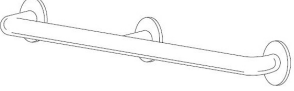
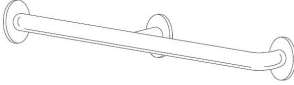
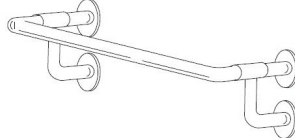
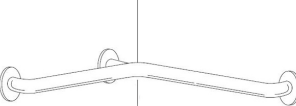
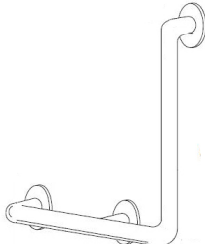
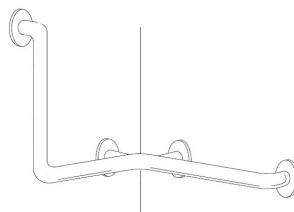
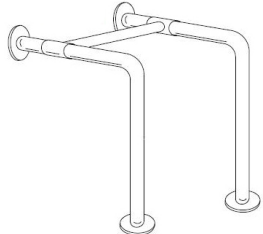
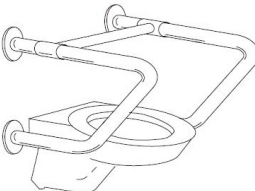
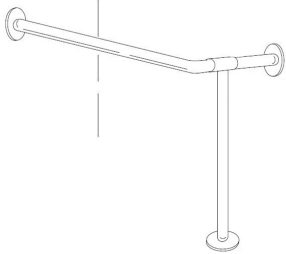
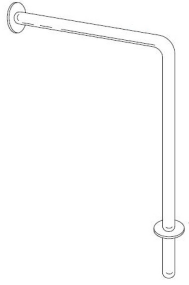
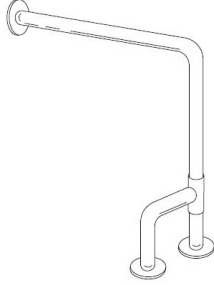
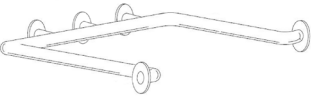
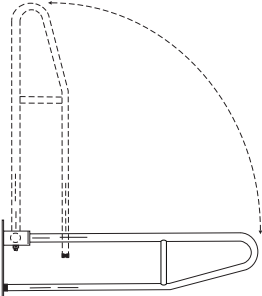
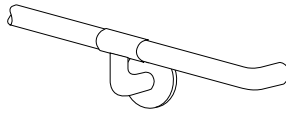
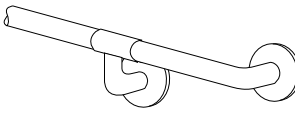
[KathleenD@stumbaugh.com](mailto:KathleenD@stumbaugh.com)

**CONFIGURATIONS**  
 Grab Bars

Job #:

Item #:

Quantity:

 <p>A</p>	 <p>B</p>	 <p>C</p>	 <p>F</p>
 <p>G</p>	 <p>K</p>	 <p>L</p>	 <p>N</p>
 <p>O</p>	 <p>Q</p>	 <p>R</p>	 <p>S</p>
 <p>V</p>	 <p>U</p>	 <p>Y</p>	 <p>Z</p>

\*When measuring and ordering grab bars, remember bars are sized centerline to centerline.

\*Grab Bars comply with ADA Code 4.26.2

\*Non-chloric and non-abrasive cleaners should be used to clean surface of bars and flanges.

\*Custom sizes available upon request



# UG3-A

Grab Bars

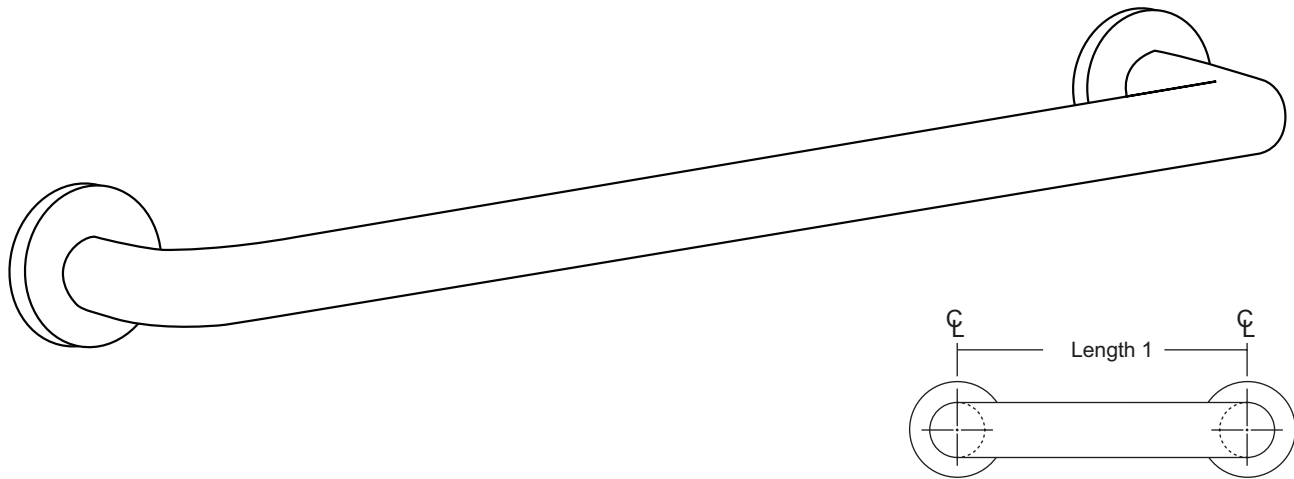
Revised 03/11

JOB #:

ITEM #:

QUANTITY:

MOUNTING	HANDING	TYPE	SIZE	OTHER



## SPECIFICATIONS & INSTALLATION

**Tubing:** Fabricated of #18 ga stainless steel with a #4 satin finish. Available in 1 1/2" outside diameter. All bends are formed by an automatic mandrel bending process. All bars maintain a constant 1 1/2" offset.

**Finish:** Standard finish is a #4 satin finish. For a non-slip finish (peened) add suffix X to model number. (Ex. UG3X-A)

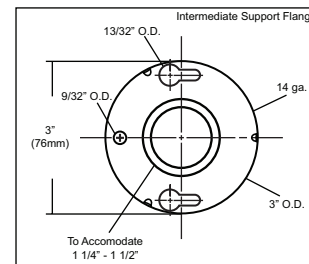
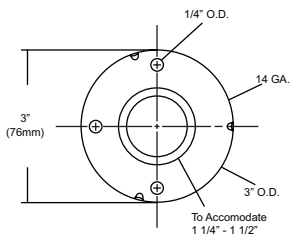
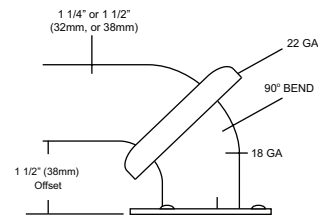
**Flanges:** Snap flanges are fabricated of 3" diameter, 3/8" deep drawn #22 ga stainless steel with #4 satin finish to match tubing. Flanges have dimples that secure over mounting plate.

**Strength:** Bars with a 1 1/2" offset clearance will support loads in excess of 900lbs when properly installed. Bars with greater offsets will support loads up to 250lbs when properly installed.

**Installation:** Before installing grab bars, verify with all state and local codes for requirements on bar diameter and type finish. Recommended mounting heights for grab bars are 33" - 36" centerline above finished floor. All mounting of grab bars when possible should have in wall mounting back plates. Find centerline mounting points and place bar on line making sure to be on center. Transfer mounting points (3 per flange) to wall. Drill pilot holes and secure bar with proper anchors per application. Snap cover over mounting plate.

**Standard Lengths (Other sizes available upon request):** 12", 16", 18", 24", 30", 32", 36", 42", 48", 50", 52", 54", 56"

## FLANGE INFORMATION



## NOTES