

date
projectname
attn
from
fax
email
phone

11/4/2020
TBD
Kee
Kee Choo
2029740776
kee.choo@smithgroup.com
2029740776



U104 Soap Dispenser

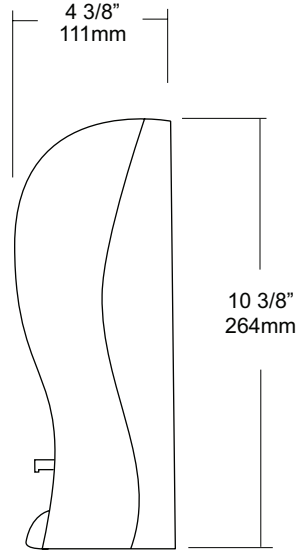
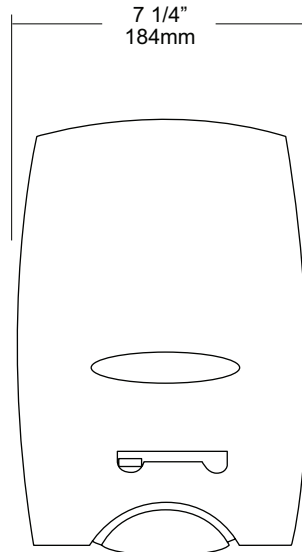
Revision 03/11

JOB #:

ITEM #:

QUANTITY:

MOUNTING	HANDING	TYPE	SIZE	OTHER



SPECIFICATIONS INSTALLATION

Body / Tank: Fabricated of high impact plastic with a cover that pivots forward to load in front for easy servicing with a viewer window to check fluid level.

Dispensing Paddle: Push lever for easy one hand operation that requires less than 5 lbs of force to operate. Sliding lever allows quick and easy switching from the empty box to the remaining full one.

Valve: Unit is not equipped with a valve assembly. Each "Bag-in-a box" has it's own valve assembly.

Overall Size: 7 1/4"W x 10 3/8"H x 4 3/8"D

184mm x 264mm x 111mm

Capacity: Two (2) 500 ml bag-in-a box

If mounting on wall surface, transfer mounting hole dimensions from mounting plate to mounting surface. Drill pilot holes and secure unit to surface with proper fasteners. Dispensing bar cannot be any higher than 40" above finished floor to comply with ADA code. Load bag of soap and place valve in location as noted. Close dispenser and test operation.

*It is not recommended to mount any soap dispenser on mirrors

Preventative Maintenance: Each dispenser should be flushed out aprx. Every 30 days with warm water to prevent valve from; clogging with old soap. Abrasive cleaners should not be used when wiping down dispenser.

NOTES

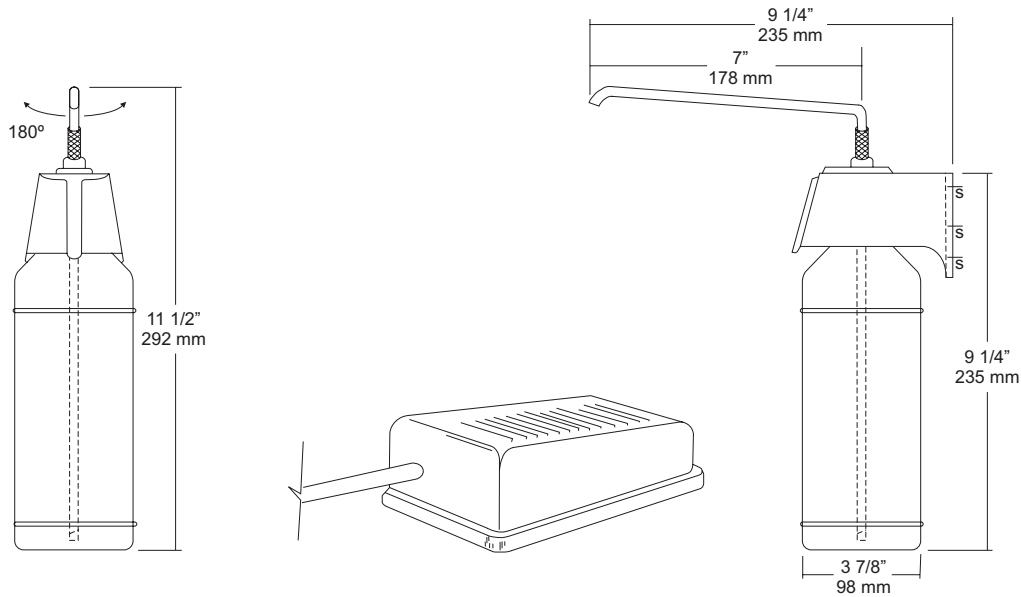
Formerly Model #: U104A

JOB #:

ITEM #:

QUANTITY:

MOUNTING	HANDING	TYPE	SIZE	OTHER



SPECIFICATIONS

Spout: Fabricated of 316 stainless steel that rotates 7" in length, that will dispense all type of surgical and antibacterial soaps.

Globe: Translucent molded polyethylene globe that is shatterproof and corrosion resistant.

Foot Pedal: Foot pump is molded of neoprene with a non-slip surface and is connected to dispenser by means of an 8'-0" durable vinyl tubing.

Mounting Hood: Fabricated of Grey high impact plastic that is corrosion resistant. Hood secures to mounting surface by means of a concealed mounting plate. Globe, supply tube and spout all secure at areas inside hood to complete dispenser.

Overall Size: 4 1/2"W x 9 1/4"H

114mm x 235mm

Capacity: 32 oz.

INSTALLATION

Provide an area on wall surface at desired or specified location that will allow foot pedal operation in an area that will be accessible to the user. Secure concealed mounting plate to wall surface (with proper fasteners) making sure unit will be level and allow globe to be removed for servicing and cleaning. Secure hood over plate. Connect supply tube to valve inside hood making sure notched end will be inside globe. Fill globe with desired soap and secure to hood. Prime dispenser until soap flows freely from spout.

Preventative Maintenance: Each dispenser should be flushed out aprx. Every 30 days with warm water to prevent valve from; clogging with old soap. Abrasive cleaners should not be used when wiping down dispenser.

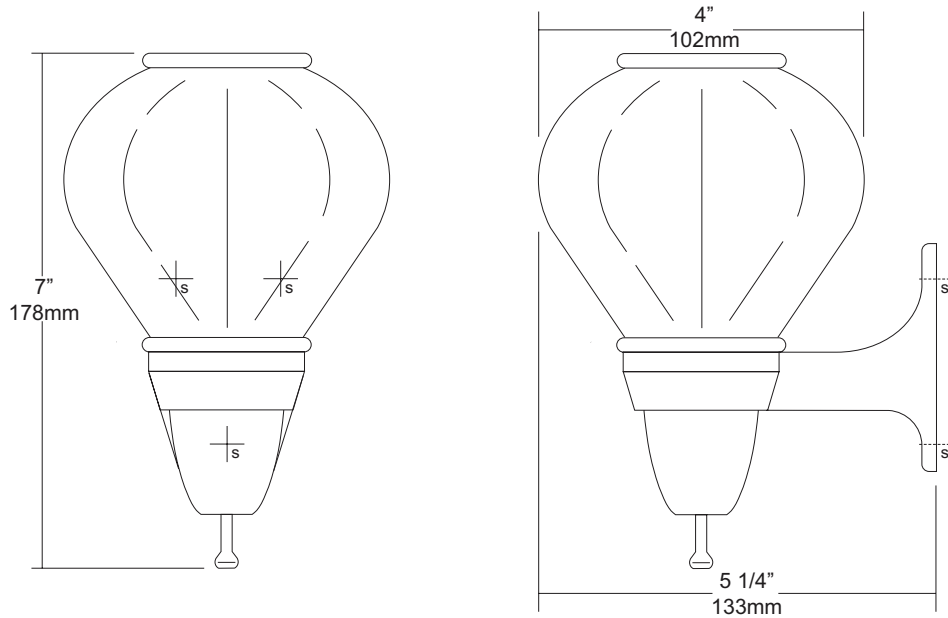
NOTES

JOB #:

ITEM #:

QUANTITY:

MOUNTING	HANDING	TYPE	SIZE	OTHER



SPECIFICATIONS **INSTALLATION**

Piston Valve Assembly: Fabricated of bright chrome plated ABS material with a stainless steel return spring that operates on a gravity feed system.

Operation: One hand, push up operation that requires less than 5 lbs of force to operate. Will dispense a pre-measured amount of soap that is drip free.

Globe: Translucent, polyethylene that is shatterproof and corrosion resistant.

Seals: Globe and piston seals are fabricated of neoprene.

Mounting Bracket: Fabricated of bright chrome plated ABS with three (3) exposed mounting points.

Overall Size: 4"W x 7"H x 5 1/4"D
 102mm x 178mm x 133mm

Capacity: 16 fl oz.

Place mounting bracket on wall surface at desired location. Transfer mounting points to surface making sure unit will be level. Drill pilot holes and secure unit bracket with proper fasteners per each application. Fill globe with proper soap making sure soap has been mixed properly per instructions of soap manufacturer. Secure valve to globe snugly wall openingut over-tightening damaging seals. Place globe and valve down into bracket and screw into place. Test valve for operation.

*It is not recommended to mount any soap dispenser on mirrors.

**For best performance, use pre-mixed low concentrate solutions. Dispensers should have periodic maintenance performed to insure the life dispenser. Rinse out globe and valve with warm water to avoid sludge buildup.

Preventative Maintenance: Each dispenser should be flushed out aprx, Every 30 days with warm water to prevent valve from; clogging with old soap. Abrasive cleaners should not be used when wiping down dispenser.

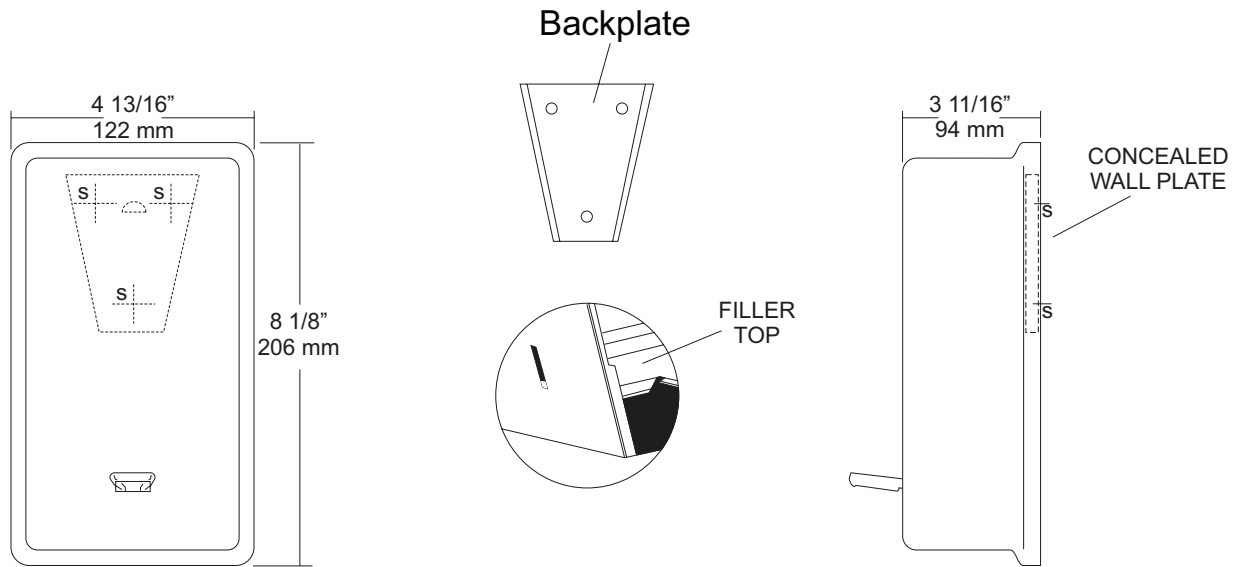
NOTES

JOB #:

ITEM #:

QUANTITY:

MOUNTING	HANDING	TYPE	SIZE	OTHER



SPECIFICATIONS

Tank: Fabricated of #22 gauge stainless steel, formed construction. Back and tank are fully welded to form a one piece unit. Large filler cap is tamper resistant that opens with special key. Large opening allows easy servicing.

Concealed Wall Plate: Fabricated of heavy gauge stainless steel.

Valve: Stainless steel agitator that is spring loaded and adjustable to regulate the amount of soap to be dispensed. Caking of powdered soap is avoided because moisture cannot enter dispenser.

Overall Size: 4 13/16"W x 8 1/8"H x 3 11/16"D

121mm x 206mm x 93mm

Capacity: 32 oz powder soap

INSTALLATION

Provide an area on wall surface at desired or specified location. Place concealed mounting plate on wall surface and transfer mounting points. Drill pilot holes and secure with proper fasteners per application. Secure tank to mounting plate by opening filler cap and tightening down lock screw. Fill tank with powder soap. Test powder for dispensing and adjust to required flow.

*It is not recommended to mount any soap dispenser on mirrors

NOTES



U115 Powder Soap Dispenser

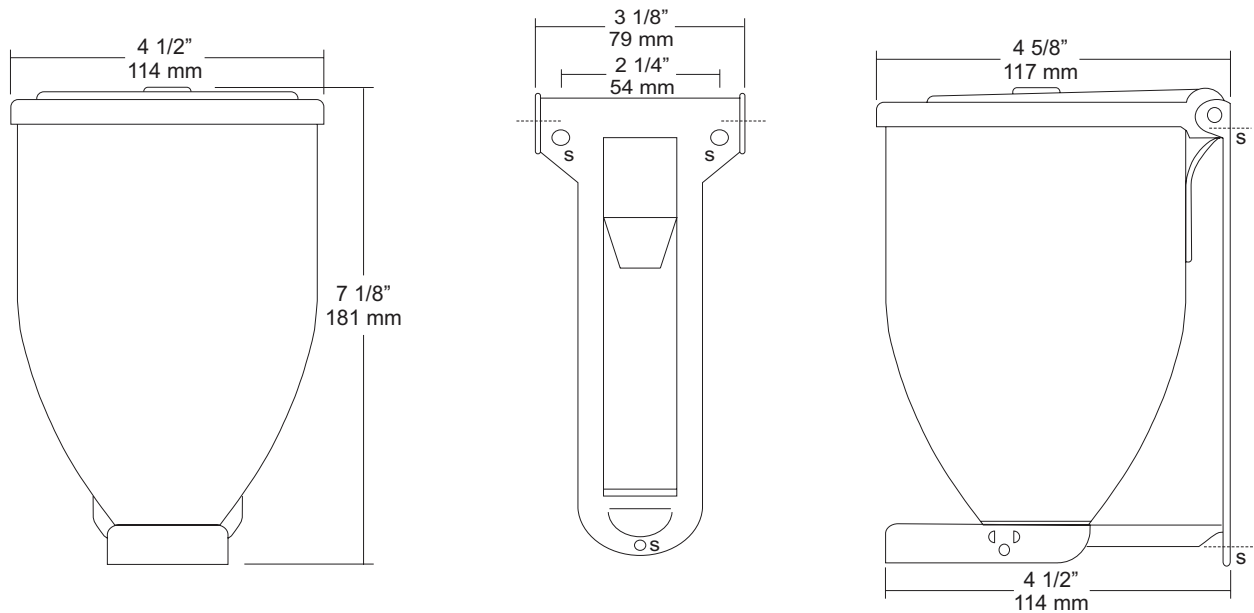
Revision 03/11

JOB #:

ITEM #:

QUANTITY:

MOUNTING	HANDING	TYPE	SIZE	OTHER



SPECIFICATIONS INSTALLATION

Tank: Fabricated corrosion resistant stainless steel with a brushed satin finish. Large filler cap (4 3/8" dia. 111mm) is tamper resistant that opens with special key. Large opening allows easy servicing.

Wall Plate: Fabricated of heavy gauge chrome plated steel.

Dispensing Arm: Push knob, spring and discharging mechanism are fabricated of stainless steel. Pre-measured amounts of powder soap are dispensed to prevent waste and is moisture resistant to avoid caking of powder.

Overall Size: 4 1/2"W x 7 1/8"H x 4 5/8"D
114mm x 181mm x 119mm

Capacity: 32 oz powder soap

Provide an area on wall surface at desired or specified location. Clip tank to bottom of mounting plate. Place mounting plate on wall surface and transfer mounting points. Drill pilot holes and secure with proper fasteners per application. Secure tank to top of mounting plate by pressing top of dispenser against wall plate and installing hinge pin. Open filler cap and fill with powder soap. Test push bar for proper operation. Secure lid after operation checks good.

*It is not recommended to mount any soap dispenser on mirrors

NOTES

U116 Soap Dispenser

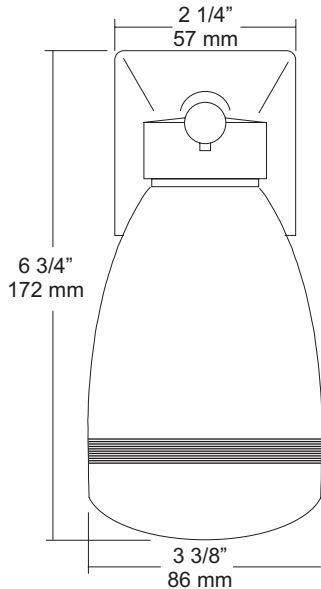
Revision 03/11

JOB #:

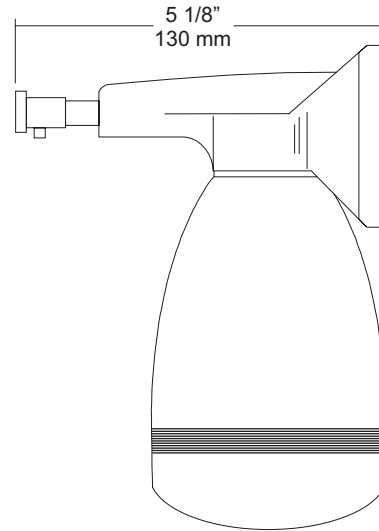
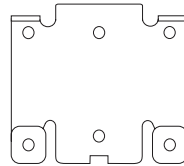
ITEM #:

QUANTITY:

MOUNTING	HANDING	TYPE	SIZE	OTHER



WALL PLATE



SPECIFICATIONS

Valve: Push-in valve is fabricated of chrome plated ABS material with stainless steel spring and check valve. Valve is located above fluid level to assure a drip free operation and dispenses a pre-measured amount of soap to prevent waste.

Housing: Fabricated of chrome plated brass.

Globe: Translucent, polyethylene, shatterproof globe that is corrosion resistant.

Wall Plate: Concealed heavy gauge steel plate.

Overall Size: 3 3/8"W x 6 3/4"H x 5 1/8"D

86mm x 171mm x 130mm

Capacity: 16 oz.

INSTALLATION

Provide a desired or specified location on wall surface. Place concealed wall plate at mounting location and transfer mounting points making sure plate is level. Drill pilot holes and secure with proper fasteners per application. There are two mounting screws to be used to secure housing at the bottom of the plate. After screws are in place, insert supply tube on valve under housing making sure notched end is at the bottom. Fill globe with proper soap and install onto housing. Prime dispenser to insure operation.

*It is not recommended to mount any soap dispenser on mirrors

**For best performance, use pre-mixed low concentrated solutions. Dispensers should have periodic maintenance performed by rinsing out dispenser with warm water. This will avoid sludge buildup.

Preventative Maintenance: Each dispenser should be flushed out approx. Every 30 days with warm water to prevent valve from; clogging with old soap, Abrasive cleaners should not be used when wiping down dispenser.

NOTES

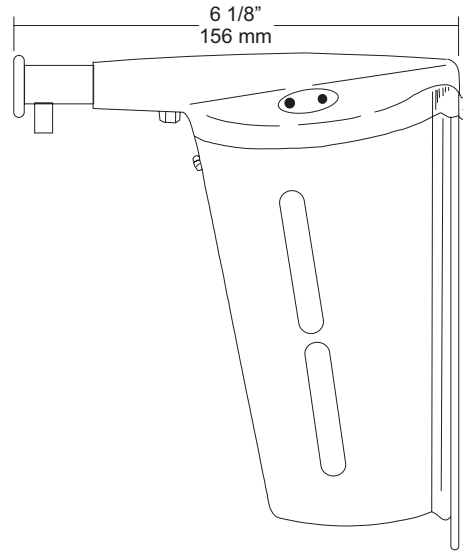
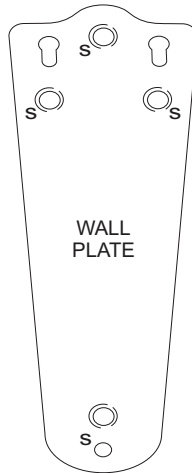
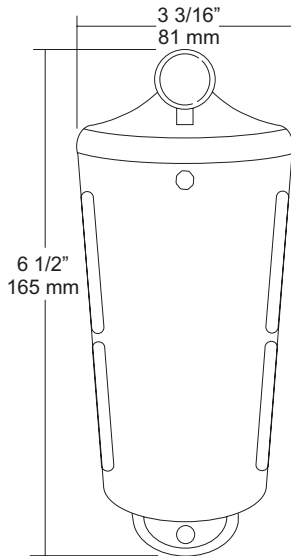
Formerly Model #: U117L

JOB #:

ITEM #:

QUANTITY:

MOUNTING	HANDING	TYPE	SIZE	OTHER



SPECIFICATIONS	INSTALLATION
----------------	--------------

Dispenser: Fabricated of chrome plated brass.

Valve: Push in type valve is fabricated of chrome plated ABS material with a stainless steel return spring. Valve is located above soap level to assure a drip free operation. Available in liquid or lather style.

Globe: Clear, high impact, corrosion resistant container encased in highly polished stainless steel container with slotted sides to allow a constant fluid level check.

Mounting Plate: Theft resistant chrome plated steel wall plate.

Filler Cap: Theft resistant filler cap is equipped with special service key and secured by means of a small chain.

Overall Size: 3 3/16"W x 6 1/2"H x 6 1/8"D

81mm x 165mm x 156mm

Capacity: 12 fluid oz.

Provide an area on wall surface at desired or specified location. Hold mounting plate to surface making sure unit is level and transfer mounting points. Secure plate with proper fasteners per application. Two top screws will set dispenser in place on mounting plate. Secure bottom of dispenser to plate with supplied fastener. Remove service cap and fill dispenser with proper soap. Prime dispenser until soap flows freely.

*It is not recommended to mount any soap dispenser on mirrors

**For best performance, use pre-mixed low concentrate solutions. Dispensers should have periodic maintenance performed to insure life of dispenser. Rinse out globe and valve with warm water to prevent sludge buildup.

Preventative Maintenance: Each dispenser should be flushed out aprx. Every 30 days with warm water to prevent valve from; clogging with old soap, Abrasive cleaners should not be used when wiping down dispenser.

NOTES

Formerly Model #: U120L



U120

Shelf & Soap Dispenser Combination Unit

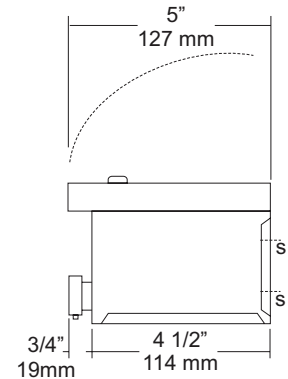
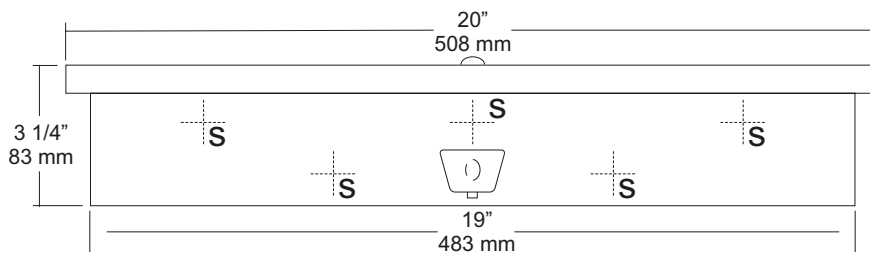
Revision 03/11

JOB #:

ITEM #:

QUANTITY:

MOUNTING	HANDING	TYPE	SIZE	OTHER



SPECIFICATIONS

Tank: Fabricated of #20 gauge stainless steel with a #4 satin finish removable for easy servicing and cleaning.

Shelf & Bracket: Fabricated of #18 gauge stainless steel. All exposed areas have a #4 satin finish. Shelf is secured to back by means of full length, stainless steel piano type hinge.

Valve: All purpose antibacterial soap valve cylinder, black molded plastic push style valve that takes less than 5 lbs of force and one hand to operate complies with barrier free guidelines when mounted at proper height.

Lock: Tamper resistant lock.

Overall Size: 20"W x 3 1/4"H x 5"D

508mm x 83mm x 127mm

Capacity: 128 fl oz.

INSTALLATION

Provide an area on wall surface at desired or specified location. Remove tank and place unit on mounting surface making sure bracket is level, transfer mounting points. Drill pilot holes and secure bracket to wall with proper fasteners per application. Fill tank with proper soap and install into bracket. Prime valve until soap flows freely. Close lid (shelf) and secure.

*It is not recommended to mount any soap dispenser on mirrors

** For best performance, use pre-mixed low concentrate solutions. Dispensers should have periodic maintenance performed to insure life of dispenser. Rinse out globe and valve with warm water to prevent sludge buildup.

Preventative Maintenance: Each dispenser should be flushed out aprx. Every 30 days with warm water to prevent valve from; clogging with old soap. Abrasive cleaners should not be used when wiping down dispenser.

NOTES

Formerly Model #: U122L



U122

Shelf & Soap Dispenser Combination Unit

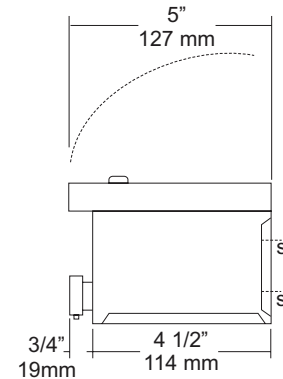
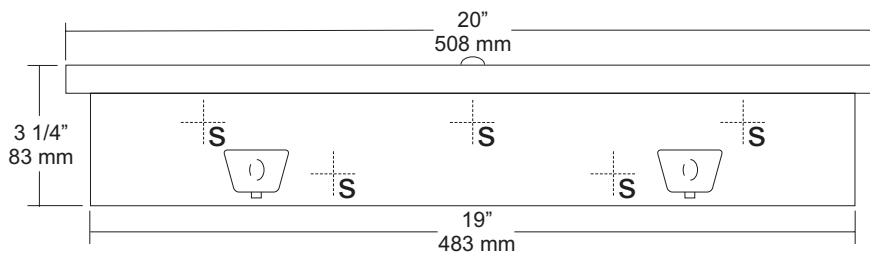
Revision 03/11

JOB #:

ITEM #:

QUANTITY:

MOUNTING	HANDING	TYPE	SIZE	OTHER



SPECIFICATIONS

Tank: Fabricated of #20 gauge stainless steel with a #4 satin finish removable for easy servicing and cleaning.

Shelf & Bracket: Fabricated of #18 gauge stainless steel. All exposed areas have a #4 satin finish. Shelf is secured to back by means of full length, stainless steel piano type hinge.

Valve: All purpose antibacterial soap valve cylinder, black molded plastic push style valve that takes less than 5 lbs of force and one hand to operate complies with barrier free guidelines when mounted at proper height.

Lock: Tamper resistant lock.

Overall Size: 20"W x 3 1/4"H x 5"D

508mm x 83mm x 127mm

Capacity: 128 fl oz.

INSTALLATION

Provide an area on wall surface at desired or specified location. Remove tank and place unit on mounting surface making sure bracket is level, transfer mounting points. Drill pilot holes and secure bracket to wall with proper fasteners per application. Fill tank with proper soap and install into bracket. Prime valve until soap flows freely. Close lid (shelf) and secure.

*It is not recommended to mount any soap dispenser on mirrors

** For best performance, use pre-mixed low concentrate solutions. Dispensers should have periodic maintenance performed to insure life of dispenser. Rinse out globe and valve with warm water to prevent sludge buildup.

Preventative Maintenance: Each dispenser should be flushed out aprx, Every 30 days with warm water to prevent valve from; clogging with old soap, Abrasive cleaners should not be used when wiping down dispenser.

NOTES



U124
Soap Dispenser

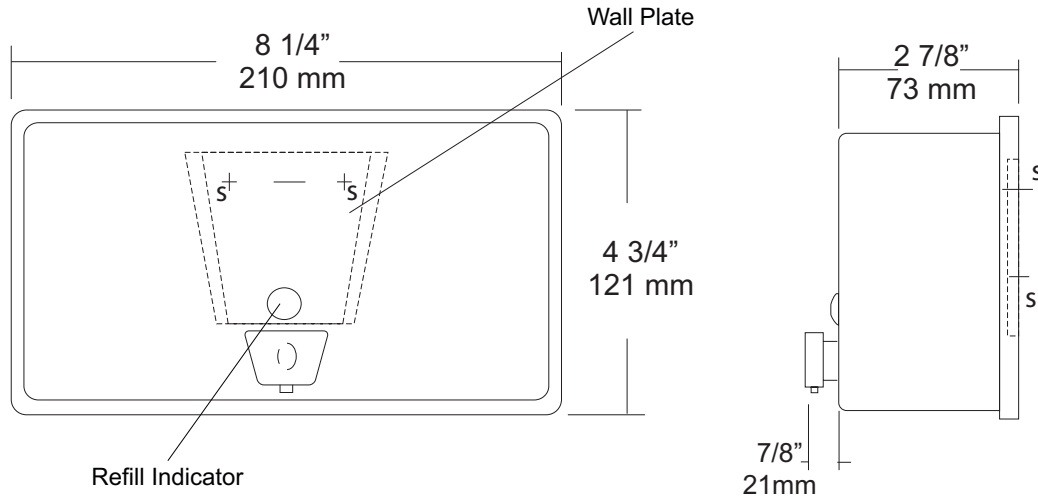
Revision 11/14

JOB #:

ITEM #:

QUANTITY:

MOUNTING	HANDING	TYPE	SIZE	OTHER



SPECIFICATIONS

Soap Tank: Fabricated of #20 ga stainless steel, #4 satin finish, fully welded one-piece construction.

Valve: All purpose antibacterial soap valve cylinder, black molded plastic push style valve that takes less than 5 lbs of force and one hand to operate complies with barrier free guidelines when mounted at proper height.

Viewer: Clear plastic window allows a constant fluid level check.

Concealed Mounting Plate: Fabricated of heavy gauge stainless steel.

Filler Cap: Fabricated of stainless steel, hinged to allow easy servicing, secured with special key that creates a vandal resistant dispenser.

Overall Size: 8 1/4"W x 4 3/4"H x 3 3/4"D
210mm x 121mm x 95mm (Horizontal Mounting)

Capacity: 40 oz.

Recommend type soaps without chloric solutions for proper operation.

INSTALLATION

Provide an area on mounting surface at desired or specified location. Secure concealed mounting plate to wall surface with proper fasteners. Slide dispenser down over mounting plate and secure by means of set screw located inside tank. Fill unit with proper soap. Close lid and secure with special key. Test valve for proper operation.

*It is not recommended to mount any soap dispenser on mirrors

**For best performance, use pre-mixed low concentrate solutions. Dispensers should have periodic maintenance performed to insure the life dispenser. Rinse out globe and valve with warm water to avoid sludge buildup.

Preventative Maintenance: Each dispenser should be flushed out aprx. Every 30 days with warm water to prevent valve from; clogging with old soap. Abrasive cleaners should not be used when wiping down dispenser.

NOTES



U125 Soap Dispenser

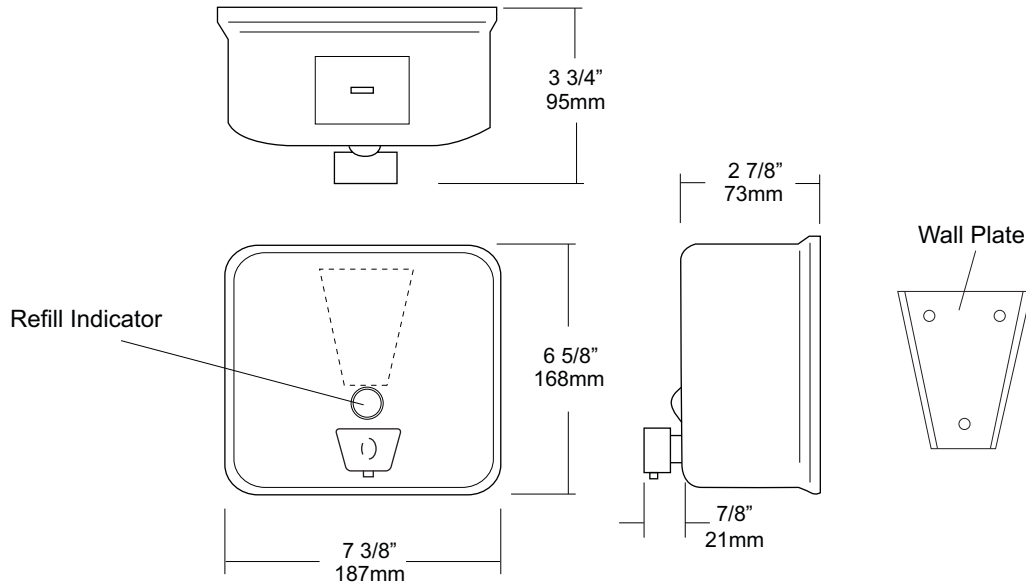
Revision 11/14

JOB #:

ITEM #:

QUANTITY:

MOUNTING	HANDING	TYPE	SIZE	OTHER



SPECIFICATIONS

Tank: #20 ga stainless steel with satin finish, Drawn one piece construction with a curved front design and radius corners.

Back: #22 gauge stainless steel with #20 gauge stainless steel mounting plate attached. Back plate and tank are welded together to form a one piece unit

Valve: All purpose antibacterial soap valve cylinder, black molded plastic push style valve that takes less than 5 lbs of force and one hand to operate complies with barrier free guidelines when mounted at proper height.

Refill Indicator: Clear plastic viewer window allows a constant fluid level check.

Filler Cap: Fabricated of stainless steel, hinged to allow easy servicing, Cap is secured with special key that creates a vandal resistant dispenser.

Overall Size: 7 3/8"W x 6 5/8"H x 3 3/4"D

187mm x 168mm x 95mm

Capacity: 45 oz

Recommend type soaps without chloric solutions for proper operation.

INSTALLATION

Provide an area on wall surface at desired or specified location, Secure concealed mounting plate to wall surface with proper fasteners, Slide dispenser down over mounting plate and secure by means of a set screw located inside the tank accessible by opening service lid, Fill unit with soap, Secure lid, Prime the valve and test for proper operation.

*It is not recommended to mount any soap dispenser on mirrors

**For best performance, use pre-mixed low concentrate solutions. Dispensers should have periodic maintenance performed to insure the life dispenser. Rinse out globe and valve with warm water to avoid sludge buildup.

Preventative Maintenance: Each dispenser should be flushed out aprx, Every 30 days with warm water to prevent valve from; clogging with old soap, Abrasive cleaners should not be used when wiping down dispenser.

NOTES



U126 Soap Dispenser

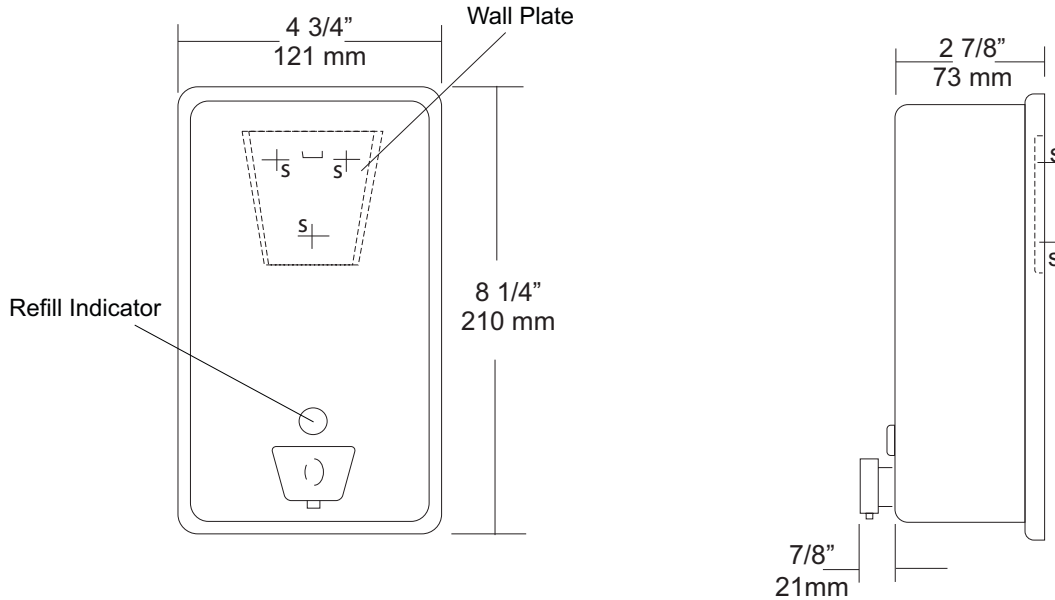
Revision 11/14

JOB #:

ITEM #:

QUANTITY:

MOUNTING	HANDING	TYPE	SIZE	OTHER



SPECIFICATIONS

Soap Tank: Fabricated of #20 ga stainless steel, #4 satin finish, fully welded one-piece construction.

Valve: All purpose antibacterial soap valve cylinder, black molded plastic push style valve that takes less than 5 lbs of force and one hand to operate complies with barrier free guidelines when mounted at proper height.

Viewer: Clear plastic window allows a constant fluid level check.

Concealed Mounting Plate: Fabricated of heavy gauge stainless steel.

Filler Cap: Fabricated of stainless steel, hinged to allow easy servicing, secured with special key that creates a vandal resistant dispenser.

Overall Size: 4 3/4"W x 8 1/4"H x 3 3/4"D (wall to valve)

121mm x 210mm x 95mm

Capacity: 40 oz.

Recommend type soaps without chloric solutions for proper operation.

INSTALLATION

Provide an area on mounting surface at desired or specified location. Secure concealed mounting plate to wall surface with proper fasteners. Slide dispenser down over mounting plate and secure by means of set screw located inside tank. Fill unit with proper soap. Close lid and secure with special key. Test valve for proper operation.

*It is not recommended to mount any soap dispenser on mirrors

**For best performance, use pre-mixed low concentrate solutions. Dispensers should have periodic maintenance performed to insure the life dispenser. Rinse out globe and valve with warm water to avoid sludge buildup.

Preventative Maintenance: Each dispenser should be flushed out aprx. Every 30 days with warm water to prevent valve from clogging with old soap. Do not use abrasive cleaners to clean dispenser.

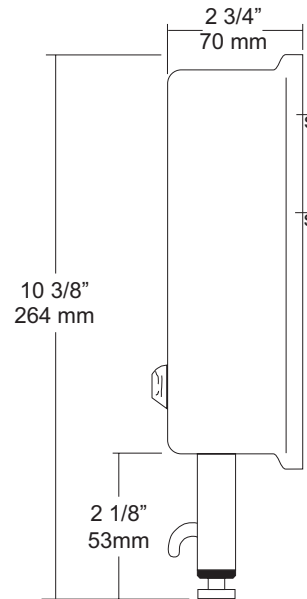
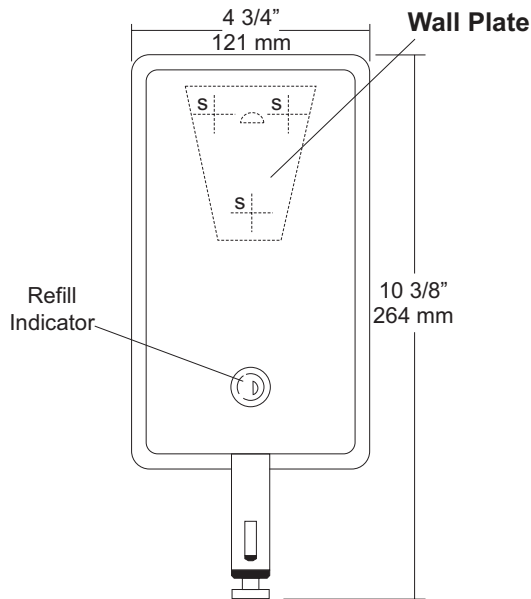
NOTES

JOB #:

ITEM #:

QUANTITY:

MOUNTING	HANDING	TYPE	SIZE	OTHER



SPECIFICATIONS

Soap Tank: Fabricated of #20 gauge stainless steel with a #4 satin finish, fully welded one-piece construction.

Valve: All purpose chrome on brass, push up, one hand operational bellows valve. Valve operates with less than 5 lbs of force and when mounted properly will comply with ADA code.

Viewer: Clear plastic window allows a constant fluid level check.

Concealed Mounting Plate: Fabricated of heavy gauge stainless steel.

Filler Cap: Fabricated of stainless steel, hinged to allow easy servicing with special key that creates a vandal resistant dispenser.

Overall Size: 4 3/4"W x 10 3/8"H x 2 3/4"D

121mm x 264mm x 70mm

Capacity: 40 oz.

INSTALLATION

Provide an area on mounting surface at desired or specified location. Secure concealed mounting plate to wall surface with proper fasteners. Slide dispenser down over mounting plate and secure by means of set screw located inside tank. Fill unit with proper soap. Close lid and secure with special key. Test valve for proper operation.

*It is not recommended to mount any soap dispenser on mirrors

**For best performance, use pre-mixed low concentrate solutions. Dispensers should have periodic maintenance performed to insure the life dispenser. Rinse out globe and valve with warm water to avoid sludge buildup.

Preventative Maintenance: Each dispenser should be flushed out aprx. Every 30 days with warm water to prevent valve from clogging with old soap. Do not use abrasive cleaners to clean dispenser.

NOTES

U128PC

Vanity Mounted Soap Dispenser

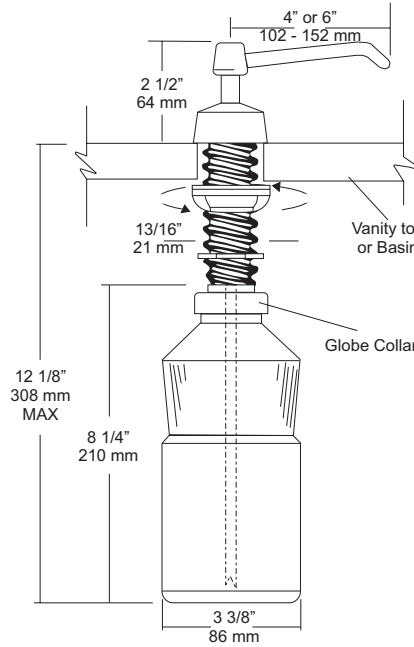
Revision 04/11

JOB #:

ITEM #:

QUANTITY:

MOUNTING	HANDING	TYPE	SIZE	OTHER



SPECIFICATIONS

Piston & Spout: Highly polished corrosion resistant, stainless steel. Assembly rotates 360 degrees.

Flange & Collar: One piece highly polished chrome on brass.

Valve Assembly: All purpose bellows valve, fabricated of ABS material, with stainless steel return spring.

Shank: Chrome on brass, secured to collar. Special key provided that unlocks collar for servicing.

Globe & Collar: High impact translucent polyethylene.

Capacity: 34 fl oz

U128PCA: Same as U128PC with 6" (152mm) spout.

Recommend type soaps without chloric solutions for proper operation.

***All vanity soap dispensers are designed to be serviced above the counter**

INSTALLATION

Provide a 7/8" - 1" diameter opening in vanity or basin. Insert shank through cut out and secure with supplied washers and wing nut. Connect supply tube with valve making sure notch end is at bottom. Secure globe and collar to shank. Fill globe above counter. Secure upper assembly to shank. Prime dispenser every time unit is serviced.

*It is not recommended to mount any soap dispenser on mirrors

**For best performance, use pre-mixed low concentrate solutions. Dispensers should have periodic maintenance performed to insure the life dispenser. Rinse out globe and valve with warm water to avoid sludge buildup.

Preventative Maintenance: Each dispenser should be flushed out aprx. Every 30 days with warm water to prevent valve from clogging with old soap. Do not use abrasive cleaners to clean dispenser.

NOTES

Formerly Model #: U128-PC



U129PC

Vanity Mounted Soap Dispenser

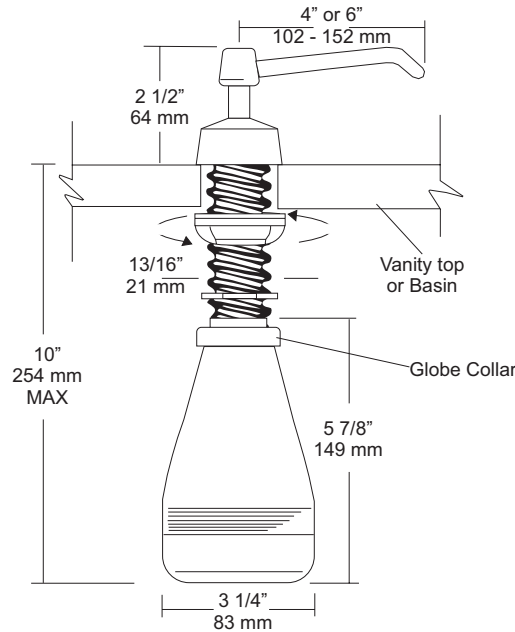
Revision 07/11

JOB #:

ITEM #:

QUANTITY:

MOUNTING	HANDING	TYPE	SIZE	OTHER



SPECIFICATIONS

Piston & Spout: Highly polished corrosion resistant, stainless steel. Assembly rotates 360 degrees.

Flange & Collar: One piece highly polished chrome on brass.

Valve Assembly: All purpose bellows valve, fabricated of ABS material, with stainless steel return spring.

Shank: Chrome on brass, secured to collar. Special key provided that unlocks collar for servicing.

Globe & Collar: High impact translucent polyethylene.

Capacity: 16 fl oz

U129PCA: Same as U129PC with 6" (152mm) spout.

Recommend type soaps without chloric solutions for proper operation.

***All vanity soap dispensers are designed to be serviced above the counter**

INSTALLATION

Provide a 7/8" - 1" diameter opening in vanity or basin. Insert shank through cut out and secure with supplied washers and wing nut. Connect supply tube with valve making sure notch end is at bottom. Secure globe and collar to shank. Fill globe above counter. Secure upper assembly to shank. Prime dispenser every time unit is serviced.

*It is not recommended to mount any soap dispenser on mirrors

**For best performance, use pre-mixed low concentrate solutions. Dispensers should have periodic maintenance performed to insure the life dispenser. Rinse out globe and valve with warm water to avoid sludge buildup.

Preventative Maintenance: Each dispenser should be flushed out aprx. Every 30 days with warm water to prevent valve from clogging with old soap. Do not use abrasive cleaners to clean dispenser.

NOTES

Formerly Model #: U129-PC



U1304 Soap Dispenser

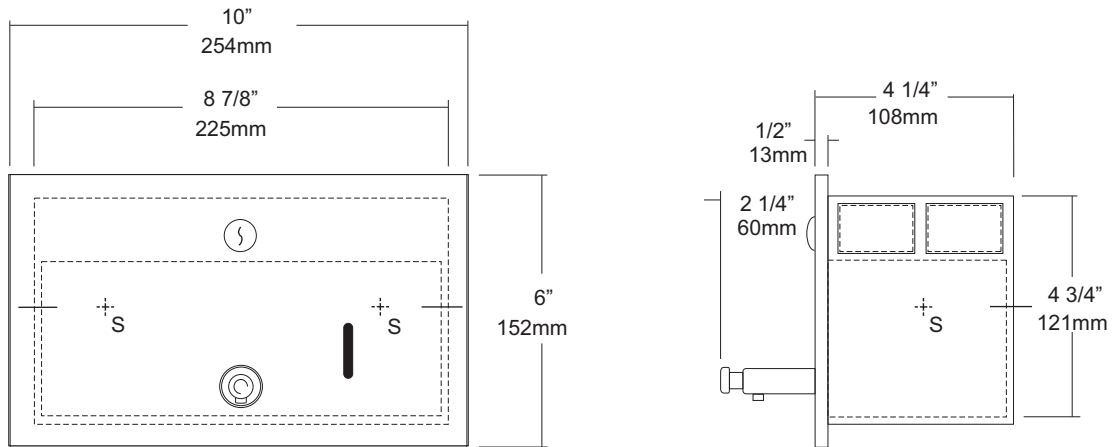
Revision 12/13

JOB #:

ITEM #:

QUANTITY:

MOUNTING	HANDING	TYPE	SIZE	OTHER



SPECIFICATIONS

Face Plate: Fabricated of #18 ga stainless steel with #4 satin finish, one piece construction with 1/2" returns to wall. Wall housing is fabricated of #22 ga pre-plated steel with 1/4" returns to wall for added rigidity. Soap capacity viewer is integral part of face plate.

Tank: Molded, translucent Lexon tank, shatterproof and corrosion resistant. Large opening for easy servicing and covered sides prevent spillage.

Valve: (U001) Theft resistant chrome on brass all purpose bellows type soap valve, with chrome on brass hex nut. Neoprene seals and a stainless return spring will provide a pre-measured, drip free dispensing system. Valve cannot be removed without taking hex nut off.

Lock: Pin tumbler, commercial quality type lock is keyed like all other AJW cabinets.

Overall Size: 10"W x 6"H x 4 1/4"D
253mm x 152mm x 108mm

Wall Opening: 9 1/8"W x 5 1/16"H x 4"D
232mm x 129mm x 102mm

Capacity: 56 fl ounces

INSTALLATION

Coordinate installation with architect and contractor to avoid interference with pipes vents etc. in wall. Remove face plate and install wall housing into wall opening with proper fasteners per application. Fill soap tank with proper soap and install into housing. Secure face plate and prime valve for dispensing soap.

Soaps: All purpose low viscosity lotions and liquid synthetic detergents or oils, and vegetable based soaps should be used.

Preventative Maintenance: Each dispenser should be cleaned out aprx every 30 days with warm water to prevent sludge build up from clogging valve. Do not use abrasive cleaners when cleaning dispenser.

**For best performance, use pre-mixed low concentrate solutions. Dispensers should have periodic maintenance performed to insure the life dispenser. Rinse out globe and valve with warm water to avoid sludge buildup.

NOTES

Formerly Model #: U130A



U1314 Soap Dispenser

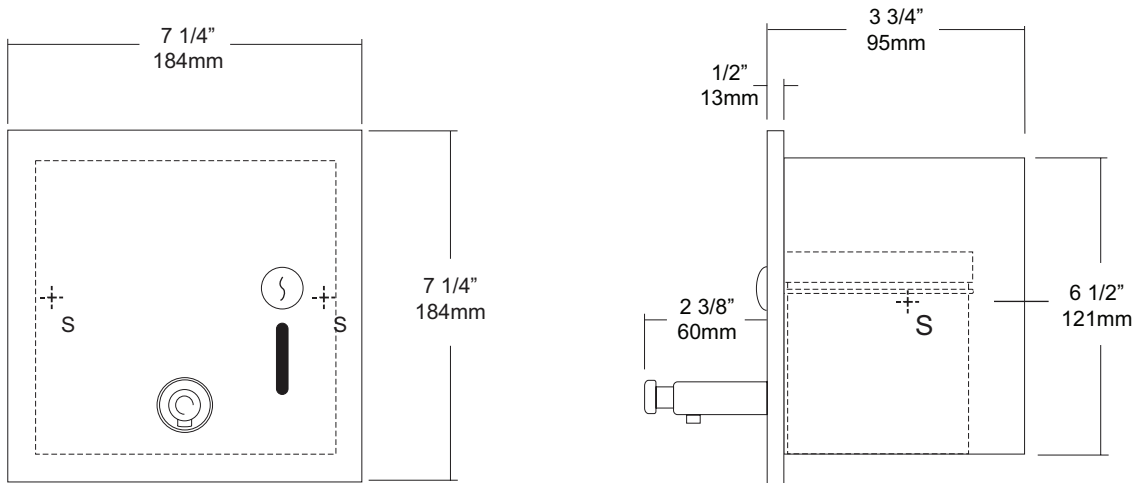
Revision 03/11

JOB #:

ITEM #:

QUANTITY:

MOUNTING	HANDING	TYPE	SIZE	OTHER



SPECIFICATIONS

Face Plate: Fabricated of #18 ga stainless steel with #4 satin finish, one piece construction with 1/4" returns to wall. Wall housing is fabricated of #22 ga pre-plated steel with 1/4" returns to wall for added rigidity. Soap capacity viewer is integral part of face plate.

Tank: Shatter resistant, translucent polyethylene globe with screw-on cap.

Valve: (U001) Theft resistant chrome on brass all purpose bellows type soap valve, with chrome on brass hex nut. Neoprene seals and a stainless return spring will provide a pre-measured, drip free dispensing system. Valve cannot be removed without taking hex nut off.

Lock: Pin tumbler, commercial quality type lock is keyed like all other AJW cabinets.

Overall Size: 7 1/4"W x 7 1/4"H x 3 3/4"D

184mm x 184mm x 95mm

Wall Opening: 6 1/2"W x 6 1/2"H x 3 1/2"D

165mm x 165mm x 90mm

Capacity: 34 fl ounces

INSTALLATION

Coordinate installation with architect and contractor to avoid interference with pipes vents etc. in wall. Remove face plate and install wall housing into wall opening with proper fasteners per application. Fill soap tank with proper soap and install into housing. Secure face plate and prime valve for dispensing soap.

Soaps: All purpose low viscosity lotions and liquid synthetic detergents or oils, and vegetable based soaps should be used.

Preventative Maintenance: Each dispenser should be cleaned out aprx every 30 days with warm water to prevent sludge build up from clogging valve. Do not use abrasive cleaners when cleaning dispenser.

****For best performance, use pre-mixed low concentrate solutions. Dispensers should have periodic maintenance performed to insure the life dispenser. Rinse out globe and valve with warm water to avoid sludge buildup.**

NOTES



U133 Soap Dispenser

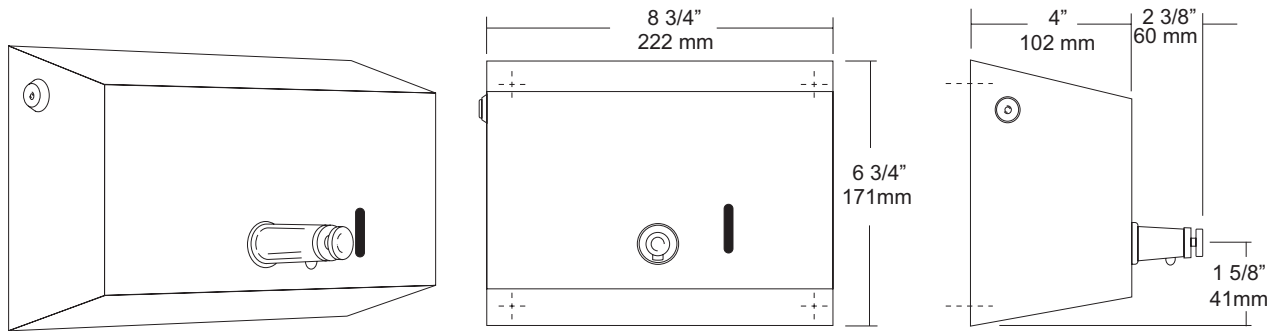
Revision 03/12

JOB #:

ITEM #:

QUANTITY:

MOUNTING	HANDING	TYPE	SIZE	OTHER



SPECIFICATIONS

Cover: Fabricated of #20 ga stainless steel with #4 satin finish. unibody design with sloped cover and refill indicator provide a heavy duty one piece cover.

Tank: Molded, translucent Lexon tank, shatterproof and corrosion resistant. Large opening for easy servicing and covered sides prevent spillage.

Valve: (U001-TAP) Theft resistant chrome on brass all purpose bellows type soap valve, with chrome on brass hex nut. Neoprene seals and a stainless return spring will provide a pre-measured, drip free dispensing system. Valve cannot be removed without taking hex nut off.

Hinges: Full length, heavy duty, stainless steel piano type hinge.

Lock: Pin tumbler, commercial quality type lock is keyed like all other AJW cabinets.

Overall Size: 8 3/4"W x 6 3/4"H x 6 3/8"D

222mm x 171mm x 161mm

Capacity: 56 fl ounces

INSTALLATION

Coordinate installation with architect and contractor to avoid interference with pipes vents etc. in wall. Place unit on wall surface and make sure unit is level. Open cabinet and transfer mounting points. Drill pilot holes and secure with proper fasteners per application. Fill Lexon tank with proper soap. Close cabinet and secure with key.

Soaps: All purpose low viscosity lotions and liquid synthetic detergents or oils, and vegetable based soaps should be used.

Preventative Maintenance: Each dispenser should be cleaned out aprx every 30 days with warm water to prevent sludge build up from clogging valve. Do not use abrasive cleaners when cleaning dispenser.

*It is not recommended to mount any soap dispenser on mirrors

**For best performance, use pre-mixed low concentrate solutions. Dispensers should have periodic maintenance performed to insure the life dispenser. Rinse out globe and valve with warm water to avoid sludge buildup.

NOTES



U134EA

Hands Free Soap Dispenser

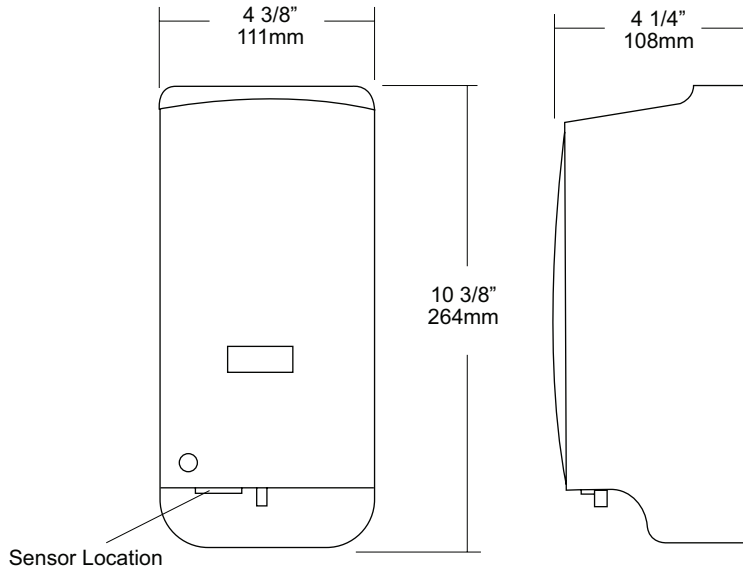
Revision 03/11

JOB #:

ITEM #:

QUANTITY:

MOUNTING	HANDING	TYPE	SIZE	OTHER



SPECIFICATIONS

Body & Back: Fabricated of white high impact plastic material with a smooth design and curves. Hidden security locking mechanism prevents vandalism. (Special key provided) Cover is equipped with a clear viewer to allow a constant soap level check.

Bottle: Convenient filler cap on bottle allows easy servicing of dispenser. Bottle is equipped with flexible valve assembly. (Bag in a box not required)

Sensor: Hands free sensor provides easy operation by passing hands through activation field. A pre-measured amount of soap will dispense. Unit is operated by three (3) "C" batteries, not provided, Alkaline batteries are recommended for best performance. When properly mounted dispenser will comply with ADA code. Green light indicates power, red light indicates low battery

Overall Size: 4 3/8"W x 10 3/8"H x 4 1/4"D

111mm x 264mm x 108mm

Capacity: 1000ml (aprx 40oz)

INSTALLATION

If mounting on wall surface, transfer mounting hole dimensions from back of unit to wall surface. Drill pilot holes and secure unit to surface with proper fasteners. Sensor cannot be any higher than 40" above finished floor to comply with ADA code.

*It is not recommended to mount any soap dispenser on mirrors

**For best performance, use pre-mixed low concentrate solutions. Dispensers should have periodic maintenance performed to insure the life of the dispenser. Rinse out bottle and valve with warm water to prevent sludge buildup.

Preventative Maintenance: Each dispenser should be flushed out aprx. Every 30 days with warm water to prevent valve from clogging with old soap. Do not use abrasive cleaners to clean dispenser.

NOTES



U135EA

Hands Free Soap Dispenser

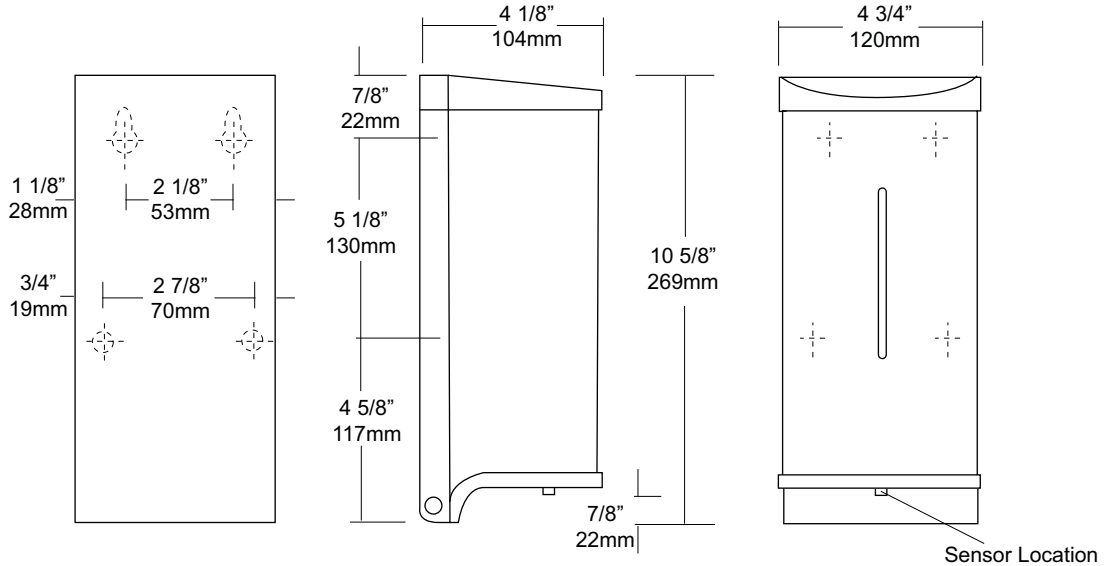
Revision 05/14

JOB #:

ITEM #:

QUANTITY:

MOUNTING	HANDING	TYPE	SIZE	OTHER



SPECIFICATIONS

Cover: Fabricated of stainless steel with #4 satin finish with a refill indicator on face of unit to provide a constant fluid level check.

Cap & Base: high impact black plastic with radius leading edges.

Sensor: Hands free application allows 1 - 1.5 Cc's (one drop) per dispensing cycle. LED flashes three (3) times means stand by for dispensing. When the LED flashes blue this indicates battery is low. Requires 4 AA batteries (not included). Alkaline type batteries recommended to provide maximum operation without changing batteries.

Soap Container: High capacity 800ml translucent plastic tank with flexible valve stem. Globe is equipped with large filler cap for easy servicing.

Lock: Vandal resistant security lock and key.

Overall Size: 4 3/4"W x 10 5/8"H x 4 1/8"D
121mm x 271mm x 105mm

INSTALLATION

If mounting on wall surface, transfer mounting hole dimensions from back of unit to wall surface. Drill pilot holes and secure unit to surface with proper fasteners. Sensor cannot be any higher than 40" above finished floor to comply with ADA code.

*It is not recommended to mount any soap dispenser on mirrors

**For best performance, use pre-mixed low concentrate solutions. Dispensers should have periodic maintenance performed to insure the life of the dispenser. Rinse out bottle and valve with warm water to prevent sludge buildup.

Preventative Maintenance: Each dispenser should be flushed out aprx. Every 30 days with warm water to prevent valve from clogging with old soap. Do not use abrasive cleaners to clean dispenser.

NOTES



U136EA

Hands Free Soap Dispenser

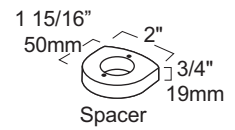
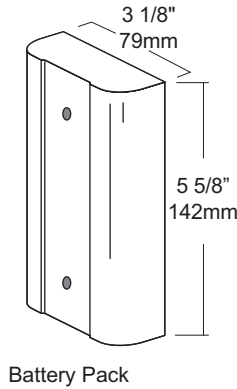
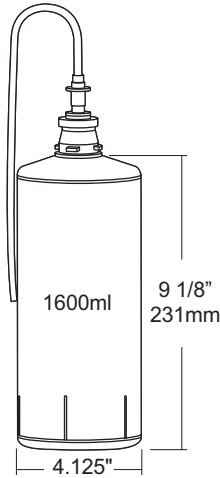
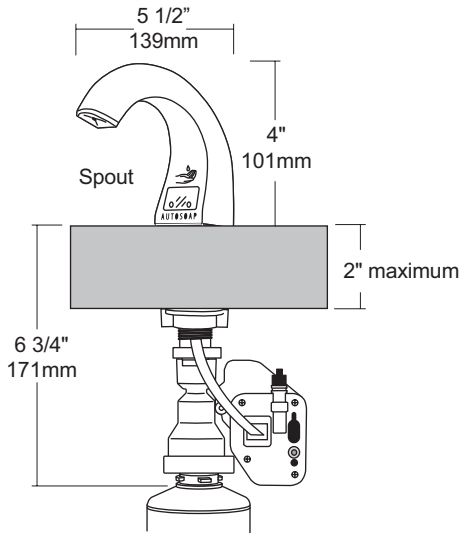
Revision 06/12

JOB #:

ITEM #:

QUANTITY:

MOUNTING	HANDING	TYPE	SIZE	OTHER



SPECIFICATIONS

Spout Assembly: Chrome and black plated ABS spout with automatic dispenser.

Shank Assembly: Black ABS high impact material. Requires a 1" diameter in counter top with a maximum thickness of 2". Optional spacer included if sink rim is 3/4" high or greater,

Electronics: Automatic sensor detects users hand to dispense a pre-determined amount LED light Indicator for low battery and low soap capacity. Four (4) D Alkaline batteries self contained motor assembly under counter. Average battery life 100 refills or 2 years.

Replaceable Containers: Self contained soap refills eliminate cross contamination, spills and lost service keys.

Capacity: Self contained non-refillable bottle with a capacity of aprx, 2000 hand washes per bottle, included with unit (lotion soap).

Overall Size: 5 1/2"D x 4 1/4"H (above vanity)

140mm x 108mm

INSTALLATION

If mounting on wall surface, transfer mounting hole dimensions from back of unit to wall surface. Drill pilot holes and secure unit to surface with proper fasteners. Sensor cannot be any higher than 40" above finished floor to comply with ADA code.

NOTES

Formerly Model #: U1800EA



U144

Soap Dispenser

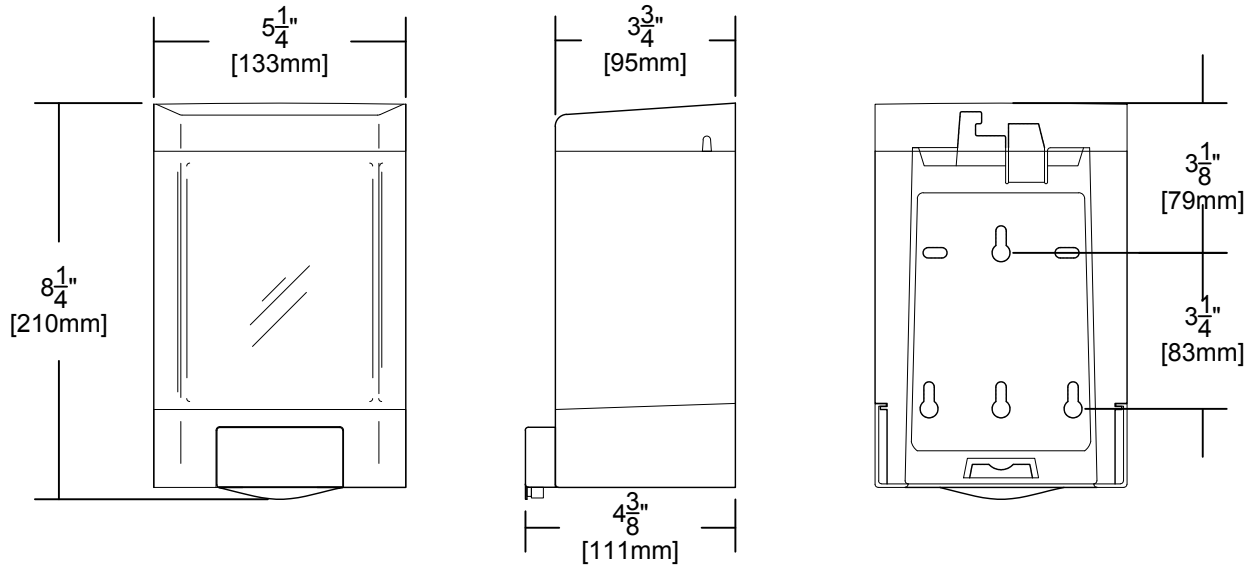
Revision 09/15

JOB #:

ITEM #:

QUANTITY:

MOUNTING	HANDING	TYPE	SIZE	OTHER



SPECIFICATIONS

Soap Tank: Fabricated of translucent high impact ABS material with a smooth curved design.

Body & Cover: Fabricated of white high impact plastic material. Hidden security locking mechanism prevents vandalism. Large convenient filler cap allows easy servicing of dispenser.

Valve: Fabricated of high impact plastic material that will dispense most liquids, lotions, and hand sanitizers (NOT pumice soaps or foam soaps). Large push button allows easy one hand operation that requires less than 5 lbs of force to operate. When properly mounted dispenser will comply with ADA code.

Overall Size: $5\frac{1}{4}$ "W x $8\frac{1}{4}$ "H x $4\frac{3}{8}$ "D (Wall to Valve)
133mm x 210mm x 111mm

Capacity: 46 fluid oz.

INSTALLATION

If mounting on wall surface, transfer mounting hole dimensions from back of unit to wall surface. Drill pilot holes and secure unit to surface with proper fasteners. Sensor cannot be any higher than 40" Above finished floor to comply with ADA code.

* It is not recommended to mount any soap dispenser on mirrors

** For best performance, use pre-mixed low concentrate solutions. Dispensers should have periodic maintenance performed to insure the life of the dispenser. Rinse out bottle and valve with warm water to prevent sludge buildup.

Preventative Maintenance: Each dispenser should be flushed out approx. Every 30 days with warm water to prevent valve from clogging with old soap. Do not use abrasive cleaners to clean dispenser.

NOTES



U155 Soap Dispenser

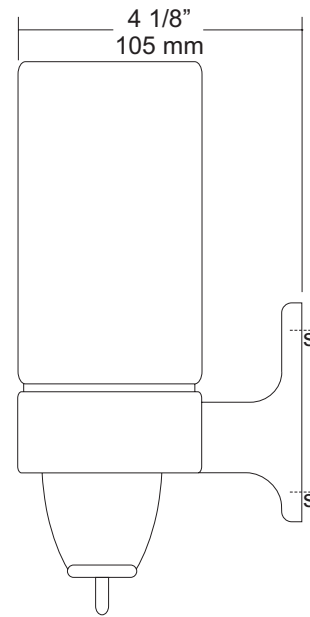
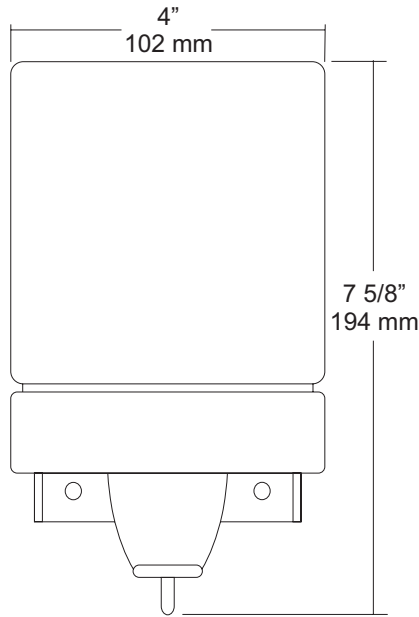
Revision 03/11

JOB #:

ITEM #:

QUANTITY:

MOUNTING	HANDING	TYPE	SIZE	OTHER



SPECIFICATIONS

Globe: Fabricated of translucent, shatterproof, corrosion resistant polyethylene with a smooth curved design.

Valve: Fabricated of high impact plastic, corrosion resistant ABS material with a stainless steel return spring. Dispenses pre-measured amounts of soap to prevent waste. Valve will dispense most liquids and lotions. (Not pumice soaps) Push up type valve requires less than 5 lbs of force to operate. When properly mounted dispenser will comply with ADA code.

Mounting Bracket & Valve Cover: Fabricated of highly polished chrome plated ABS material.

Overall Size: 4"W x 7 5/8"H x 4 1/8"D

102mm x 194mm x 105mm

Capacity: 24 fluid oz.

INSTALLATION

If mounting on wall surface, transfer mounting hole dimensions as shown on drawing. Drill pilot holes and secure unit to surface with proper fasteners. Push up valve cannot be any higher than 40" above finished floor to comply with ADA code.

*It is not recommended to mount any soap dispenser on mirrors

**For best performance, use pre-mixed low concentrate solutions. Dispensers should have periodic maintenance performed to insure the life of the dispenser. Rinse out tank and valve with warm water to prevent sludge buildup.

Preventative Maintenance: Each dispenser should be flushed out aprx. Every 30 days with warm water to prevent valve from clogging with old soap. Do not use abrasive cleaners to clean dispenser.

NOTES



U156 Soap Dispenser

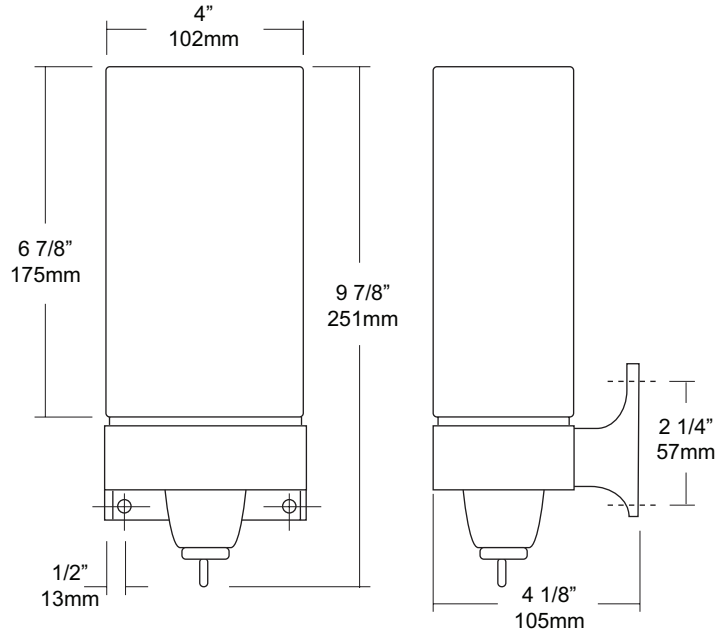
Revision 03/11

JOB #:

ITEM #:

QUANTITY:

MOUNTING	HANDING	TYPE	SIZE	OTHER



SPECIFICATIONS

Globe: Fabricated of translucent shatterproof, corrosion resistant polyethylene with a smooth curved design.

Valve Assembly: Fabricated of high Impact plastic, corrosion resistant ABS material with a stainless steel return spring. Dispensers pre-measured amounts of soap to prevent waste. Valve will dispense most liquids and lotions. (Not pumice soaps) Push-up valve, one-hand operation design requires less than 5 lbs. of force to activate. When properly mounted dispenser will comply with ADA code.

Mounting Bracket & Valve Cover: Fabricated of highly polished chrome plated ABS material.

Overall Size: 4"W x 9 7/8"H x 4 1/8"D

102mm x 251mm x 105mm

Capacity: 32 oz.

INSTALLATION

If mounting on wall surface, transfer mounting hole dimensions as shown on drawing. Drill pilot holes and secure unit to surface with proper fasteners. Push up valve cannot be any higher than 40" above finished floor to comply with ADA code.

*It is not recommended to mount any soap dispenser on mirrors

**For best performance, use pre-mixed low concentrate solutions. Dispensers should have periodic maintenance performed to insure the life of the dispenser. Rinse out tank and valve with warm water to prevent sludge buildup.

Preventative Maintenance: Each dispenser should be flushed out aprx. Every 30 days with warm water to prevent valve from clogging with old soap. Do not use abrasive cleaners to clean dispenser.

NOTES



U210

Towel & Soap Dispenser Combination Unit

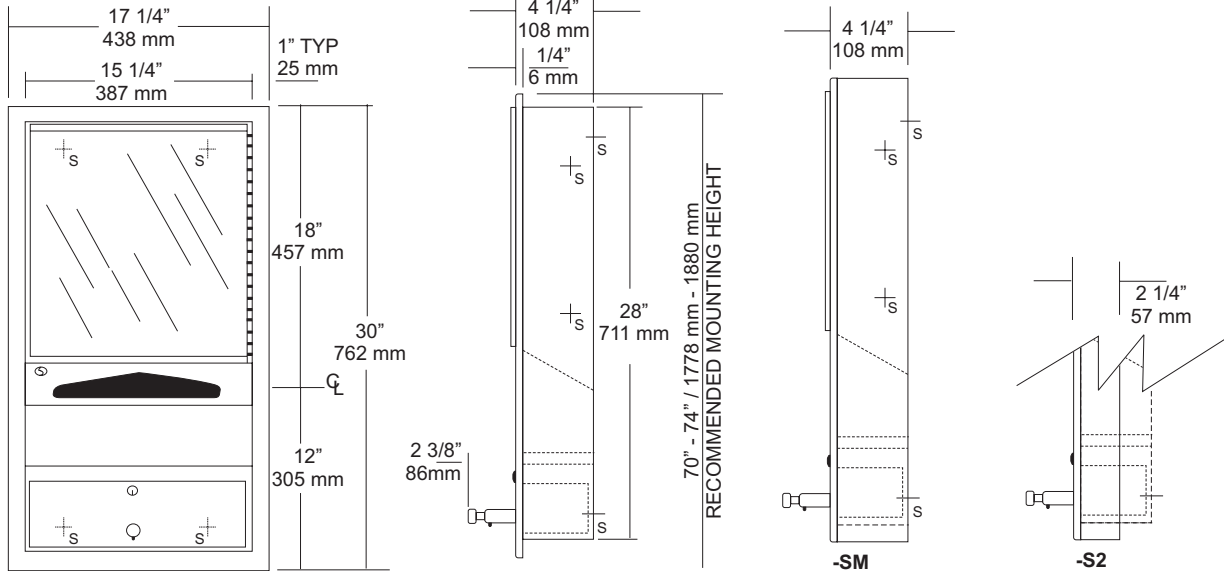
Revision 03/11

JOB #:

ITEM #:

QUANTITY:

MOUNTING	HANDING	TYPE	SIZE	OTHER



SPECIFICATIONS

- Cabinet Body:** Fabricated of #22 ga stainless steel with a #4 satin finish.
- Flange:** Fabricated of #22 ga stainless steel with #4 satin finish. One piece construction without miters or welds, returns are 1/4" to wall for maximum rigidity.
- Cabinet Back:** Fabricated of stainless steel with multiple welds to cabinet body for maximum rigidity.
- Door:** 1/4" plate glass with a 15 year warranty against silver spoilage, with top and bottom s/s channel.
- Soap Tank:** #20 ga stainless steel fully welded construction. Removable for easy servicing and cleaning. All purpose chrome on brass bellows valve is included. Tank capacity is 100 fluid ounces.
- Towel Dispenser:** Hemmed edges to prevent towel tearing and injury.
- Shelf:** Fabricated of #22 ga stainless steel #4 satin finish.
- Hinges:** Full length stainless steel piano type hinge.
- Locks:** Pin tumbler type, keyed like all other AJW items.
- Collars:** #22 ga stainless steel finished to match cabinet for semi-recessing or surface mounting.
- Overall Size:** 17 1/4"W x 30"H x 4 1/4"D
(438mm x 762mm x 108mm)
- Wall Opening:** 15 3/4"W x 28 1/2"H x 4"D
(400mm x 648mm x 102mm)
- Towel Capacity:** 600 c-fold or 800 multifold
- U210-S2:** semi-recessed. 2" collar, with 2" (51mm) wall opening.
- U210-SM:** Surface mounted collar.
- Options:**
- R:** Refill Indicator

INSTALLATION

Coordinate installation with architect or contractor to avoid interference with pipes, vents etc. Provide a wall opening 15 3/4"W x 28 1/2"H. Depth will depend on mounting style. See specifications. If a collar is required place over back of cabinet before placing into wall opening or mounting to surface. Place unit in wall opening making sure cabinet will be level. Secure with proper fasteners per application. Remove soap tank and fill with proper soap. Secure in cabinet and lock in place. Load the proper paper towels and avoid over filling.

Preventive maintenance: Each soap dispenser should be flushed out aprx. Every 30 days with warm water to avoid valve from clogging with old soap. Do not use abrasive cleaners to clean dispensers or cabinets.

NOTES



U2614
Uni-Door Towel & Soap Dispenser
Combination Unit

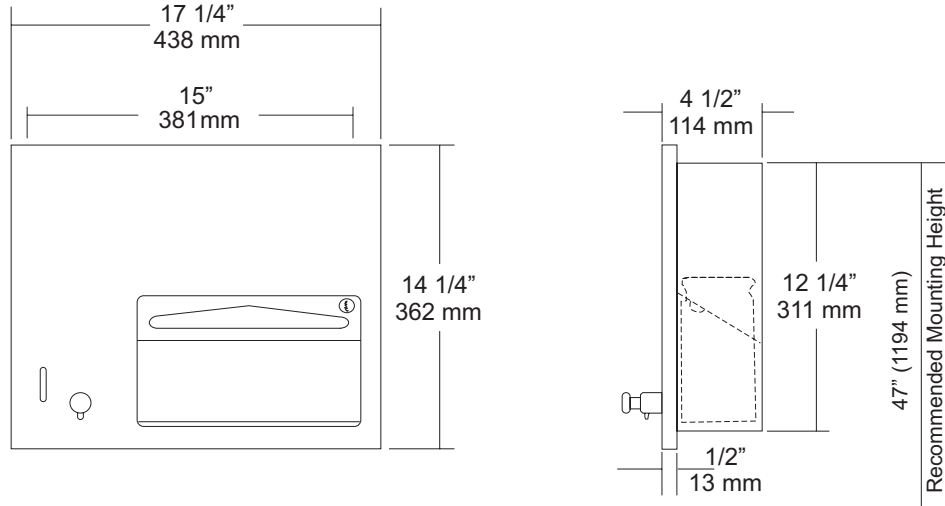
Revision 03/11

JOB #:

ITEM #:

QUANTITY:

MOUNTING	HANDING	TYPE	SIZE	OTHER



SPECIFICATIONS

Uni-Door: Fabricated of #18 gauge stainless steel with a #4 satin finish and 1/2" returns to wall surface. Viewer for soap level is notched out of face.

Body: Fabricated of #22 gauge stainless steel.

Towel Dispenser: Hemmed edges prevent injury and towel tearing.

Valve: All purpose highly polished chrome on brass valve with stainless steel return spring and bellows valve design provides a drip free operation.

Globe: Large capacity corrosion resistant globe with screw cap allows easy access for servicing unit.

Hinges: Heavy duty stainless steel piano type hinge.

Lock: Pin tumbler commercial quality lock keyed like all other AJW cabinets.

Overall Size: 17 1/4"W x 14 1/4"H x 4 1/2"D
438mm x 362mm x 108mm

Wall Opening: 15 3/4"W x 12 3/4"H x 4"D
400mm x 324mm x 102mm

Towel Capacity: 475 multifold

Soap Capacity: 34 fluid oz.

INSTALLATION

Coordinate installation with architect or contractor to avoid interference with pipes, vents, etc. Provide a rough wall opening 12 3/4" x 24 1/2" x 4". Open cabinet door making sure unit is level in opening and secure with proper fasteners per application. After unit has been mounted properly, fill towel chute and soap dispenser with desired or specified product. Close and secure cabinet door. Check soap dispenser for maintaining proper prime after globe is filled each time.

**For best performance, use pre-mixed low concentrated solutions. Dispensers should have periodic maintenance performed by rinsing out dispenser with warm water. This will avoid sludge buildup.

NOTES

Formerly Model #: U1614