

date
projectname
attn
from
fax
email
phone

1/16/17
BERNIES
KATHERINE



U480
Countertop Waste Chute

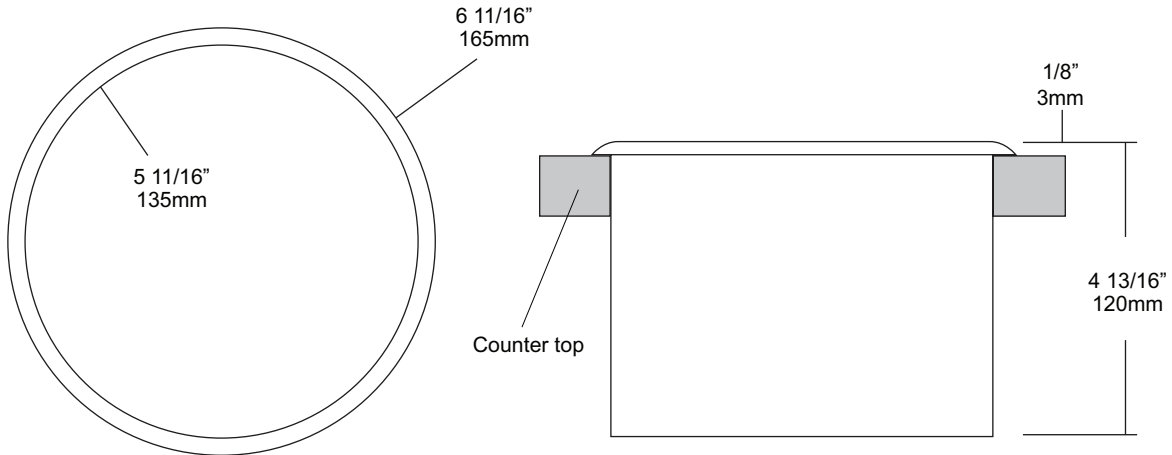
Revision 03/11

JOB #:

ITEM #:

QUANTITY:

| MOUNTING | HANDING | TYPE | SIZE | OTHER |
|----------|---------|------|------|-------|
| | | | | |



SPECIFICATIONS

Waste Chute: Fabricated of #22 ga stainless steel with a bright polished finish on all exposed surfaces seamless one piece construction.

Overall Size: 6 11/16" OD x 4 13/16"D

169mm x 122mm

Counter top Opening: 5 13/16" diameter

INSTALLATION

Provide an area on counter top at desired or specified location. Coordinate installation with architect contractor to avoid interference with pipes. Cut 5 13/16" diameter opening for chute using proper tools. Fill in the underside of flange and around the area of the cut out counter top with silicone (not provided) and insert into opening. Clean off any excess sealant above and below counter. Waste receptacle is not provided and must be purchased separately.

NOTES