

date
projectname
attn
from
fax
email
phone

133
wsfd
rtsgdr
frgfht



UX1-J-CV

Flange & Curved Shower Rod

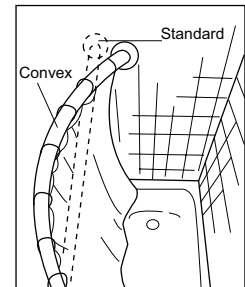
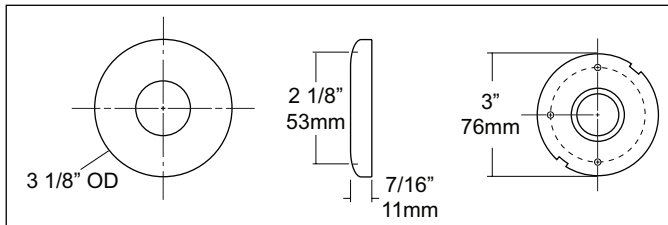
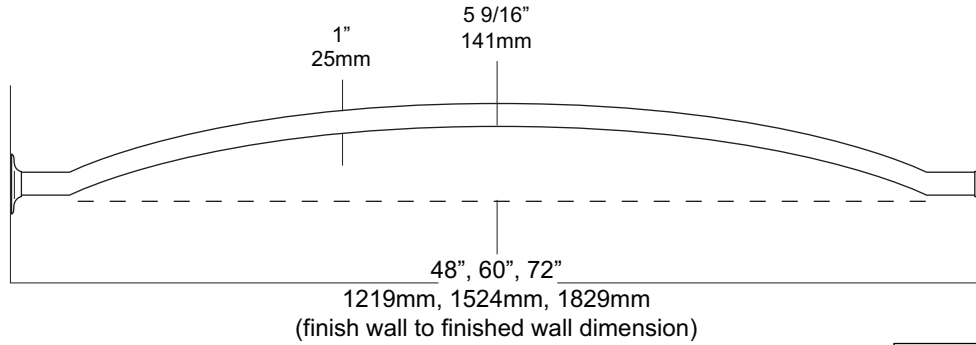
Revision 03/11

JOB #:

ITEM #:

QUANTITY:

MOUNTING	HANDING	TYPE	SIZE	OTHER



SPECIFICATIONS

Rods: Fabricated of stainless steel with a #4 satin finish. Rod configuration is accomplished by a roll former that provides additional **5 9/16" showering area. (approx. 25%)**

Flanges: Concealed snap on flange with a #4 satin finish. One mounting plate is welded to the rod, the other is loose for mounting purposes. 72"L is the maximum recommended size for this style rod. Overhead supports are not required for this style rod.

Standard Sizes: 48", 60", 72"

INSTALLATION

Provide an area on wall surface at desired or specified location. Hold flange to wall surface and transfer mounting points. Drill pilot holes. Place flanges on the ends of the rods. Secure flanges to wall surface with proper fasteners per application. Make sure the shower rod is level before securing.

NOTES