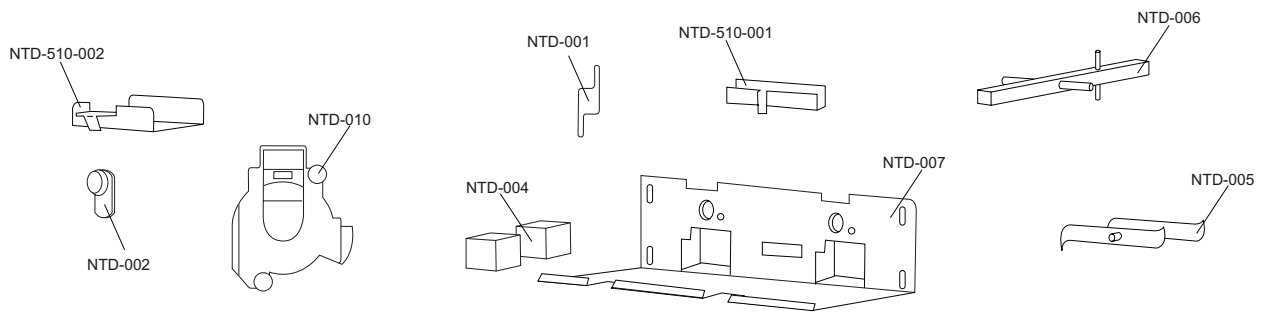
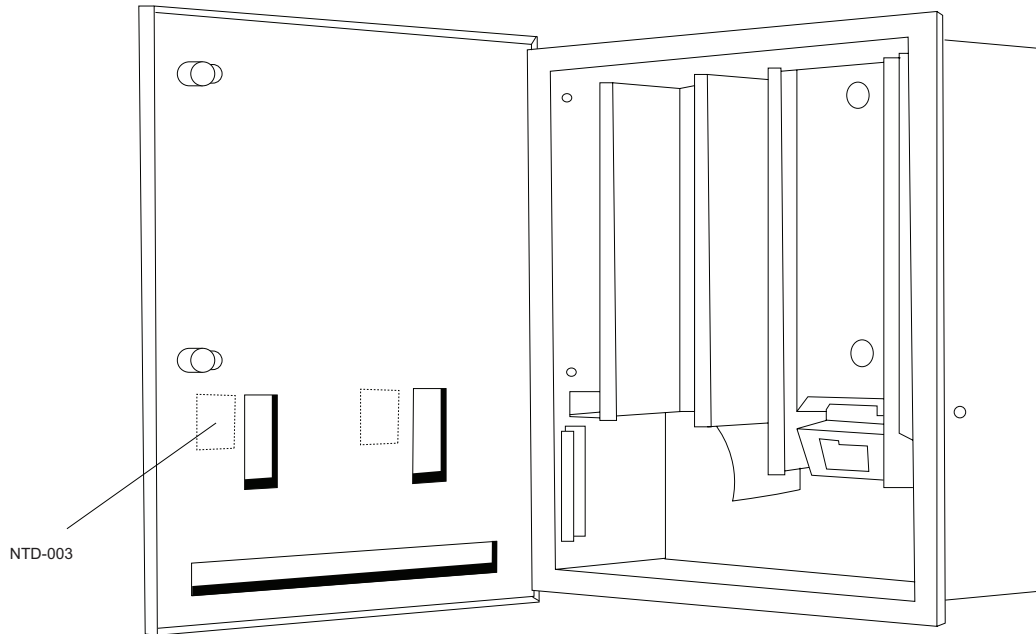


date
projectname
attn
from
fax
email
phone

8/21/17
u510
KW



Part Number	Part Description
NTD-001	Turn knob with set screw
NTD-002	HL100 coin box lock & key
NTD-003	Coin & denomination label
NTD-510-001	Tampon weight
NTD-510-002	Napkin weight
NTD-004	Coin box
NTD-005	Napkin rotor cam
NTD-006	Tampon cam drive rod
NTD-007	Chassis plate assembly
NTD-010	Coin mechanism (.10, .25, .50 & Free)