

date
projectname
attn
from
fax
email
phone

10-5-2016
Jackson Park
Melissa



UC12

Double Robe Hook

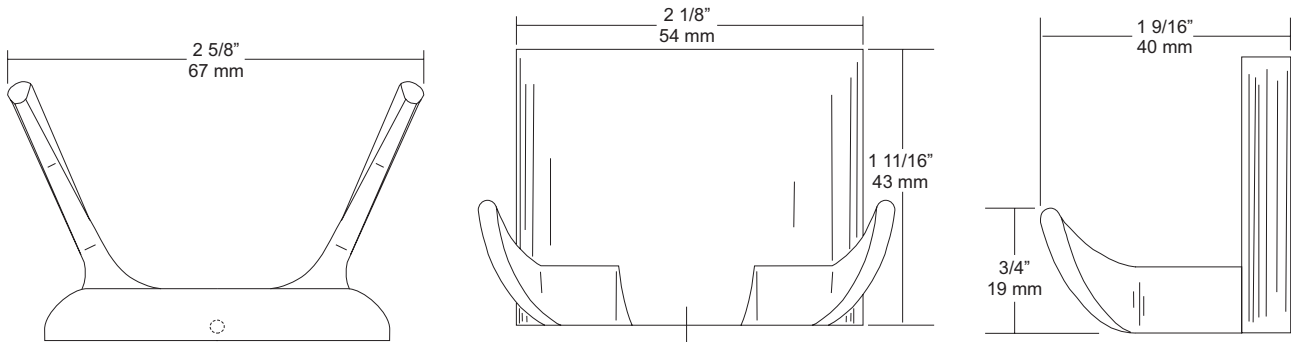
Revision 03/11

JOB #:

ITEM #:

QUANTITY:

MOUNTING	HANDING	TYPE	SIZE	OTHER



SPECIFICATIONS

UC Accessories: All accessories are fabricated of high polished chrome plating over virgin zinc die cast. All UC items comply with standard federal specifications.

Overall Size: 2 5/8"W x 1 11/16"H x 2 9/16"D
67mm x 44mm x 40mm

INSTALLATION

Place concealed mounting bracket on wall surface at desired location. Transfer mounting points and drill pilot holes. Secure plate with proper fasteners per application. Place item over plate making sure it fits snugly and secure on the underside with supplied set screw.

NOTES



UC31 Series

Square Towel Bar

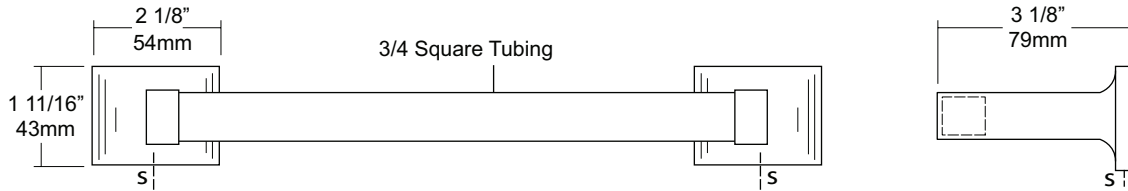
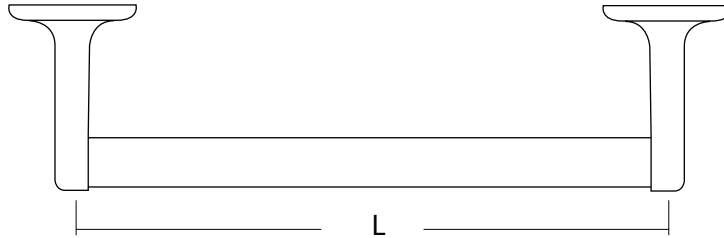
Revision 06/11

JOB #:

ITEM #:

QUANTITY:

MOUNTING	HANDING	TYPE	SIZE	OTHER



SPECIFICATIONS

UC Accessories: All accessories are fabricated of high polished chrome plating over virgin zinc die cast. All UC items comply with standard federal specifications.

Overall Size: 3 1/8" deep off wall 79mm

Bar: 3/4"OD

Standard lengths: 18", 24", 30"

INSTALLATION

Place posts on flat surface and connect each towel bar. Measure the center line distance from post to post. Transfer this dimension to desired location marked. Transfer mounting points and drill pilot holes. Secure plate with proper fasteners per application. Place post over plate making sure it fits snugly and secure on the underside with supplied set screw. Insert bar into post not mounted and place over plate making sure to insert bar into mounted post. Secure with set screw.

NOTES



UC72

"Hide-A-Roll" Toilet Tissue Dispenser

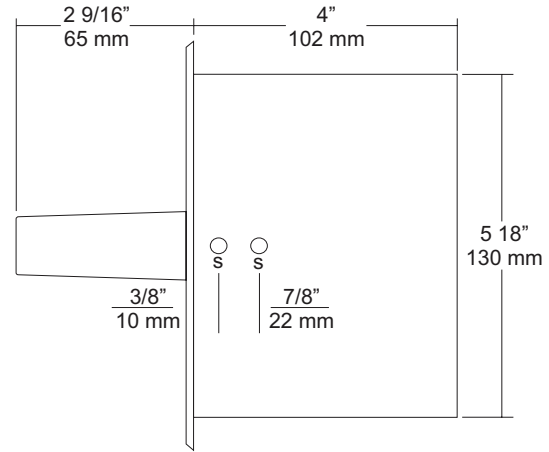
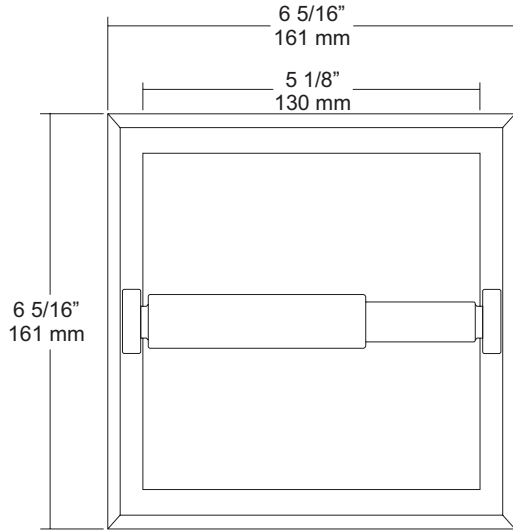
Revision 03/11

JOB #:

ITEM #:

QUANTITY:

MOUNTING	HANDING	TYPE	SIZE	OTHER



SPECIFICATIONS INSTALLATION

Body: Fabricated of heavy gauge grey coated galvanized steel.
Flange: Fabricated of #22 gauge bright chrome plated steel, drawn one piece construction with beveled edges.
Posts: Fabricated of die cast Zamac with high luster, nickel and chrome finish.
Spindles: High impact ABS material with heavy duty internal spring.
Optional U007 Theft Resistant Adapter: Prevents spindle from being removed until roll has been depleted.
Overall Size: 6 5/16"W x 6 5/16"H x 6 9/16"D
160mm x 160mm x 167mm
Wall Opening: 5 3/8"W x 5 3/8"H x 4"D
137mm x 137mm x 102mm
Capacity: One standard roll 5 1/4" OD with one spare roll.

Coordinate installation with architect and contractor to avoid interference with pipes, vents, etc. Provide a rough wall opening 5 3/8"W x 5 3/8"H x 4"D. Remove spindle from post and insert in rough wall opening. Making sure unit is level secure with proper fasteners per each application. Place spare roll into cabinet before installing roller with toilet tissue roll to be used.
Toilet Paper Dispensers: All dispensers that are to meet ADA code cannot have any type of controlled delivery. (4.16)

NOTES