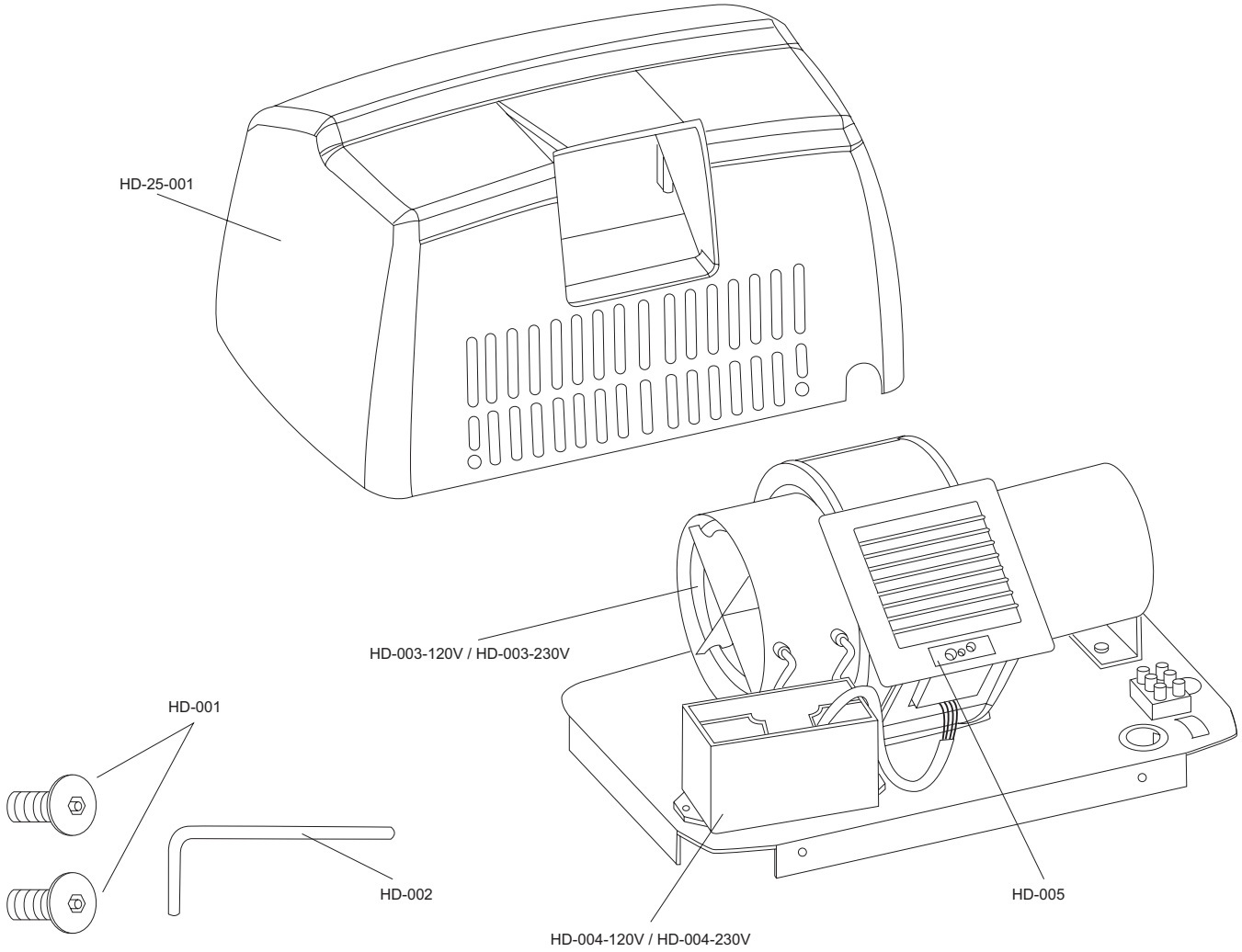


U1525EA Hand Dryer
 Part Diagram



Part Number	Part Description
HD-25-001	Powder coated cover for U1525EA
HD-003-120V / HD-003-230V	Heating element for 120V & 230V
HD-004-120V / HD-004-230V	Timer for 120V & 230V
HD-005	Automatic sensor
HD-001	Theft resistant fasteners
HD-002	Theft resistant fastener key