

date
projectname
attn
from
fax
email
phone

12/5/2016
Cupp & Cupp
Ransy Gislason
RG Interiors



U136EA

Hands Free Soap Dispenser

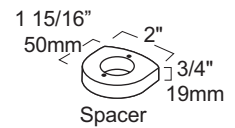
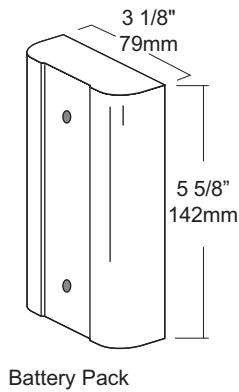
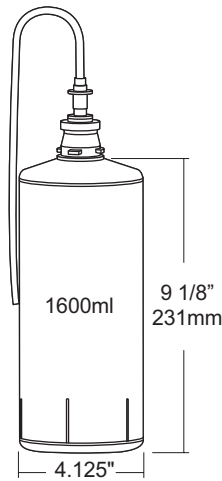
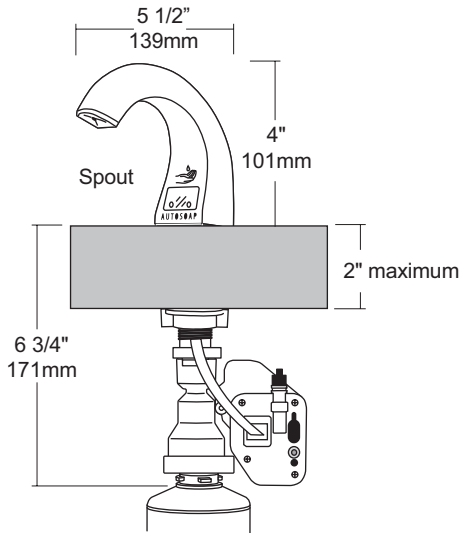
Revision 06/12

JOB #:

ITEM #:

QUANTITY:

MOUNTING	HANDING	TYPE	SIZE	OTHER



SPECIFICATIONS

Spout Assembly: Chrome and black plated ABS spout with automatic dispenser.

Shank Assembly: Black ABS high impact material. Requires a 1" diameter in counter top with a maximum thickness of 2". Optional spacer included if sink rim is 3/4" high or greater,

Electronics: Automatic sensor detects users hand to dispense a pre-determined amount LED light Indicator for low battery and low soap capacity. Four (4) D Alkaline batteries self contained motor assembly under counter. Average battery life 100 refills or 2 years.

Replaceable Containers: Self contained soap refills eliminate cross contamination, spills and lost service keys.

Capacity: Self contained non-refillable bottle with a capacity of aprx, 2000 hand washes per bottle, included with unit (lotion soap).

Overall Size: 5 1/2"D x 4 1/4"H (above vanity)

140mm x 108mm

INSTALLATION

If mounting on wall surface, transfer mounting hole dimensions from back of unit to wall surface. Drill pilot holes and secure unit to surface with proper fasteners. Sensor cannot be any higher than 40" above finished floor to comply with ADA code.

NOTES

Formerly Model #: U1800EA



U169HF-SR

Roll Towel Dispenser

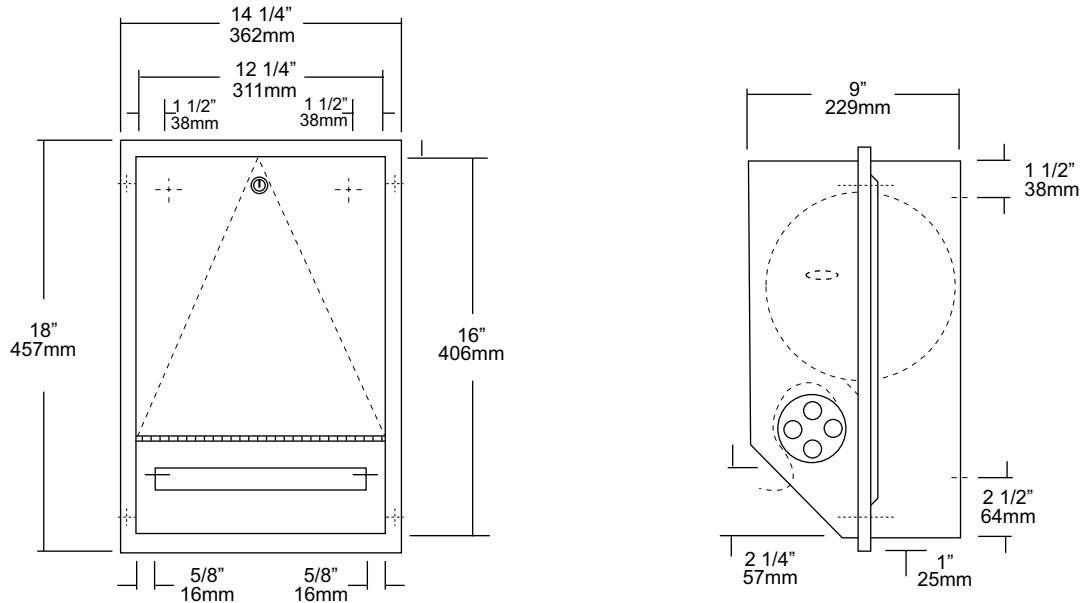
Revision 10/14

JOB #:

ITEM #:

QUANTITY:

MOUNTING	HANDING	TYPE	SIZE	OTHER



SPECIFICATIONS

Cabinet Body: Fabricated of #22 gauge stainless steel with a #4 satin finish.

Cabinet Door: Fabricated of #18 gauge stainless steel with a #4 satin finish. Cabinet door is secured by means of a heavy duty, full length stainless steel piano hinge.

Roll Towel Mechanism: Internal mechanism is fabricated of high impact plastic. Manual side rotating knob with finger grips allow maintenance dept. To manually start paper being dispensed. Once the paper has started one hand operation to pull paper out allowing concealed roller to create perforation. This will allow the operator to tear the paper off with less than 5 lbs of force. When paper is torn, a starter piece will be partially exposed for the next towel to be dispensed without having to touch a lever, handle or crank.

Semi-Recessing Flange: Fabricated of #22 ga stainless steel finished to match cabinet body. Flange is adjustable. Exposed mounting points are countersunk to secure to wall surface.

Overall Size: 14 1/4"W x 18"H x 9"D

362mm x 457mm x 229mm

Wall Opening: 12 3/4"W x 16 1/2" H x 4"D

324mm x 419mm x 102mm

Capacity: One standard size roll of 8" or 9" wide. (Use only non-perforated towels). One stub roll up to 2 3/4" OD

***600ft roll recommended for best results.**

INSTALLATION

Provide an area on mounting surface at desired or specified location. Coordinate installation with architect / contractor. Open cabinet door, place unit against wall making sure unit is level and transfer mounting points. Top of cabinet should be no higher than 48" above finished floor to comply with ADA Code. Secure cabinet to wall surface with proper fasteners for each application. Load towels in cabinet per instruction label.

NOTES

Formerly Model #: U170HF-SR



U169HF

Roll Towel Dispenser

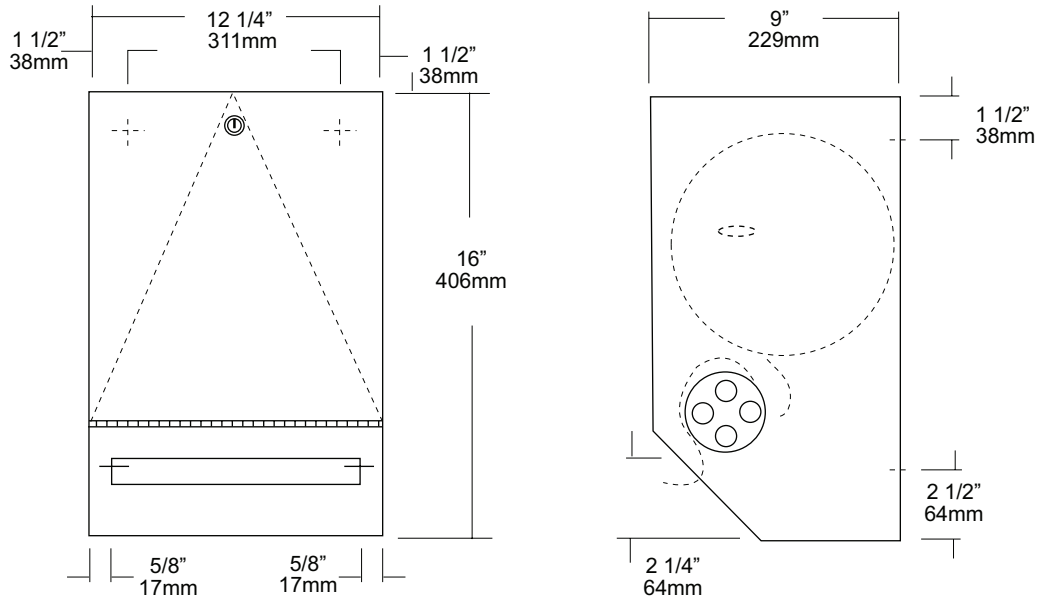
Revision 01/12

JOB #:

ITEM #:

QUANTITY:

MOUNTING	HANDING	TYPE	SIZE	OTHER



SPECIFICATIONS

Cabinet Body: Fabricated of #22 gauge stainless steel with a #4 satin finish.

Cabinet Door: Fabricated of #18 gauge stainless steel with a #4 satin finish. Cabinet door is secured by means of a heavy duty, full length stainless steel piano hinge.

Roll Towel Mechanism: Internal mechanism is fabricated of high impact plastic. Manual side rotating knob with finger grips allow maintenance dept. To manually start paper being dispensed. Once the paper has started one hand operation to pull paper out allowing concealed roller to create perforation. This will allow the operator to tear the paper off with less than 5 lbs of force. When paper is torn, a starter piece will be partially exposed for the next towel to be dispensed without having to touch a lever, handle or crank.

Overall Size: 12 1/4"W x 16"H x 9"D

263mm x 406mm x 229mm

Capacity: One standard size roll of 8" or 9" wide. (Use only non-perforated towels). One stub roll up to 2 3/4" OD

***600ft roll recommended for best results.**

INSTALLATION

Provide an area on mounting surface at desired or specified location. Coordinate installation with architect / contractor. Open cabinet door, place unit against wall making sure unit is level and transfer mounting points. Top of cabinet should be no higher than 48" above finished floor to comply with ADA Code. Secure cabinet to wall surface with proper fasteners for each application. Load towels in cabinet per instruction label.

NOTES

Formerly Model #: U170HF



U450-12

Surface Mounted Waste Receptacle

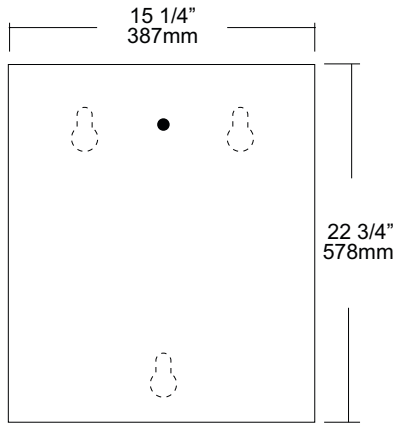
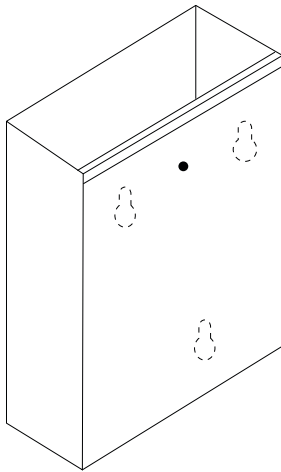
Revision 10/14

JOB #:

ITEM #:

QUANTITY:

MOUNTING	HANDING	TYPE	SIZE	OTHER



SPECIFICATIONS

Waste: Fabricated of #22 ga stainless steel with a #4 satin finish on all exposed surfaces. All leading edges are hemmed and have a radius to prevent injury.

Back: Fabricated of stainless steel formed for rigidity with multiple welds to cabinet body.

Overall Size: 15 1/4"W x 22 3/4"H x 8"D
387mm x 578mm x 203mm

Waste Capacity: 12 gallons (3.0 cu ft)

Options:

- CV: Covered Waste
- VL1 :13 gallon liner

INSTALLATION

Provide an area on wall surface at desired or specified location. Hold unit to wall surface, making sure unit is level and transfer mounting points. Drill pilot holes. Using proper fasteners per application, secure unit to wall surface.

NOTES

Formerly Model #: U460



U450-2
Surface Mounted Waste Receptacle

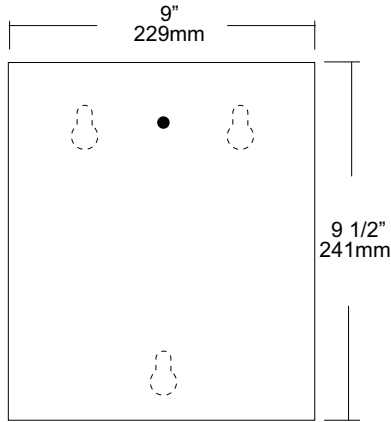
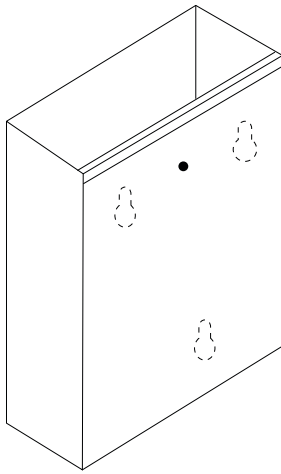
Revision 10/14

JOB #:

ITEM #:

QUANTITY:

MOUNTING	HANDING	TYPE	SIZE	OTHER



SPECIFICATIONS

Waste: Fabricated of #22 ga stainless steel with a #4 satin finish on all exposed surfaces. All leading edges are hemmed and have a radius to prevent injury.

Back: Fabricated of stainless steel formed for rigidity with multiple welds to cabinet body.

Overall Size: 9"W x 9 1/2"H x 4"D
229mm x 241mm x 102mm

Waste Capacity: 2 gallons (.26 cu ft)

Options:

- CV: Covered Waste
- VL3: 2.75 Gallon Liner

INSTALLATION

Provide an area on wall surface at desired or specified location. Hold unit to wall surface, making sure unit is level and transfer mounting points. Drill pilot holes. Using proper fasteners per application, secure unit to wall surface.

NOTES

Formerly Model #: U450



U450-21

Surface Mounted Waste Receptacle

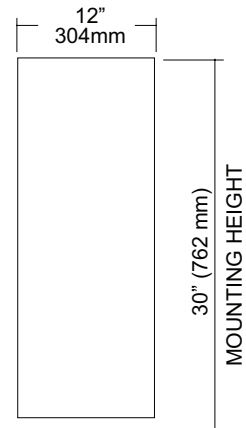
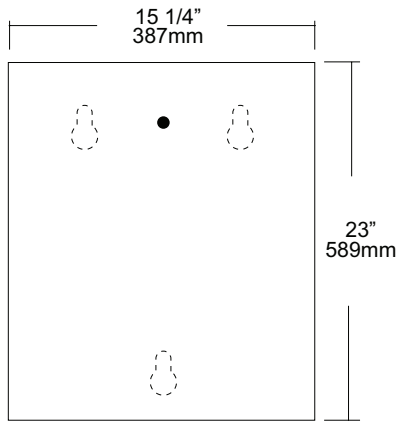
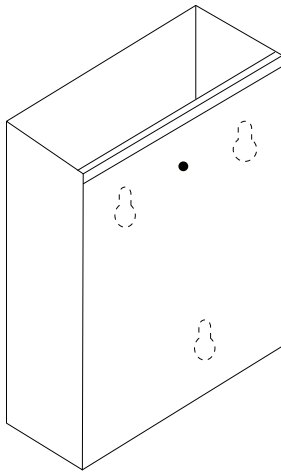
Revision 03/11

JOB #:

ITEM #:

QUANTITY:

MOUNTING	HANDING	TYPE	SIZE	OTHER



SPECIFICATIONS

Waste: Fabricated of #22 ga stainless steel with a #4 satin finish on all exposed surfaces. All leading edges are hemmed and have a radius to prevent injury.

Back: Fabricated of stainless steel formed for rigidity with multiple welds to cabinet body.

Overall Size: 15 1/4"W x 23"H x 12"D

387mm x 584mm x 305mm

Waste Capacity: 21 gallons (2.8 cu ft)

Options:

-CV: Covered Waste

-VL2: 25 gallon liner

INSTALLATION

Provide an area on wall surface at desired or specified location. Hold unit to wall surface, making sure unit is level and transfer mounting points. Drill pilot holes. Using proper fasteners per application, secure unit to wall surface.

NOTES

Formerly Model #: U465



U450-5
Surface Mounted Waste Receptacle

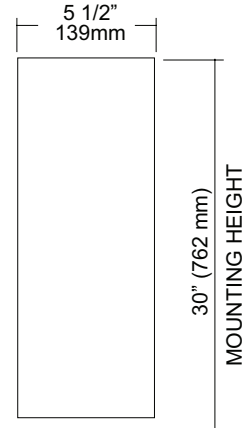
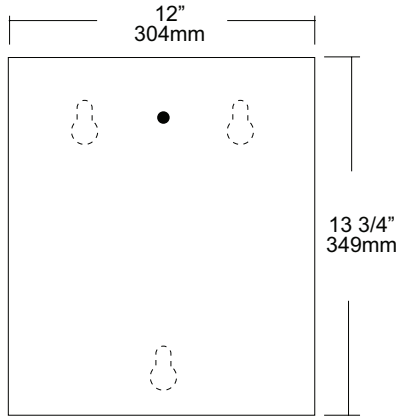
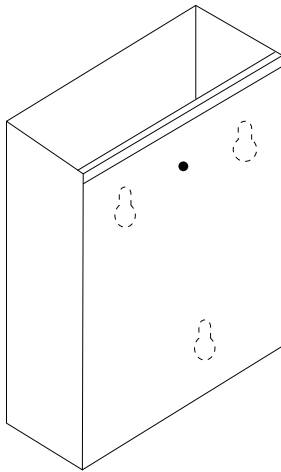
Revision 03/11

JOB #:

ITEM #:

QUANTITY:

MOUNTING	HANDING	TYPE	SIZE	OTHER



SPECIFICATIONS

Waste: Fabricated of #22 ga stainless steel with a #4 satin finish on all exposed surfaces. All leading edges are hemmed and have a radius to prevent injury.

Back: Fabricated of stainless steel formed for rigidity with multiple welds to cabinet body.

Overall Size: 12"W x 13 3/4"H x 5 1/2"D

305mm x 349mm x 140mm

Waste Capacity: 5 gallons (.66 cu ft)

Options:

-CV: Covered Waste

-VL7: 7 gallon liner

INSTALLATION

Provide an area on wall surface at desired or specified location. Hold unit to wall surface, making sure unit is level and transfer mounting points. Drill pilot holes. Using proper fasteners per application, secure unit to wall surface.

NOTES

Formerly Model #: U455



U450-7

Surface Mounted Waste Receptacle

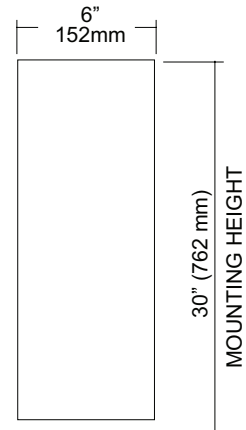
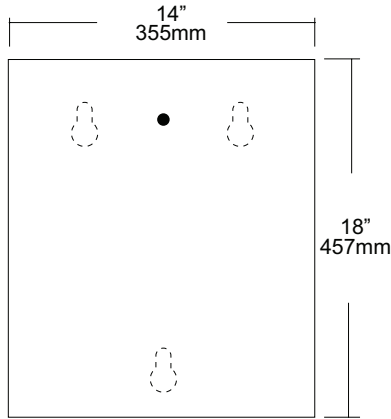
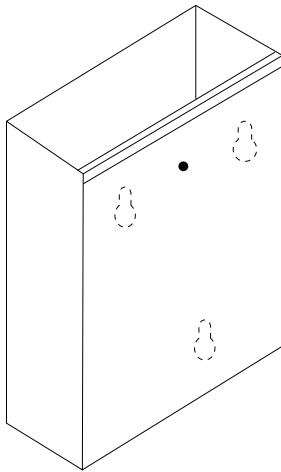
Revision 03/11

JOB #:

ITEM #:

QUANTITY:

MOUNTING	HANDING	TYPE	SIZE	OTHER



SPECIFICATIONS

Waste: Fabricated of #22 ga stainless steel with a #4 satin finish on all exposed surfaces. All leading edges are hemmed and have a radius to prevent injury.

Back: Fabricated of stainless steel formed for rigidity with multiple welds to cabinet body.

Overall Size: 14"W x 18"H x 6"D

356mm x 457mm x 153mm

Waste Capacity: 7 gallons (.93 cu ft)

Options:

-CV: Covered Waste

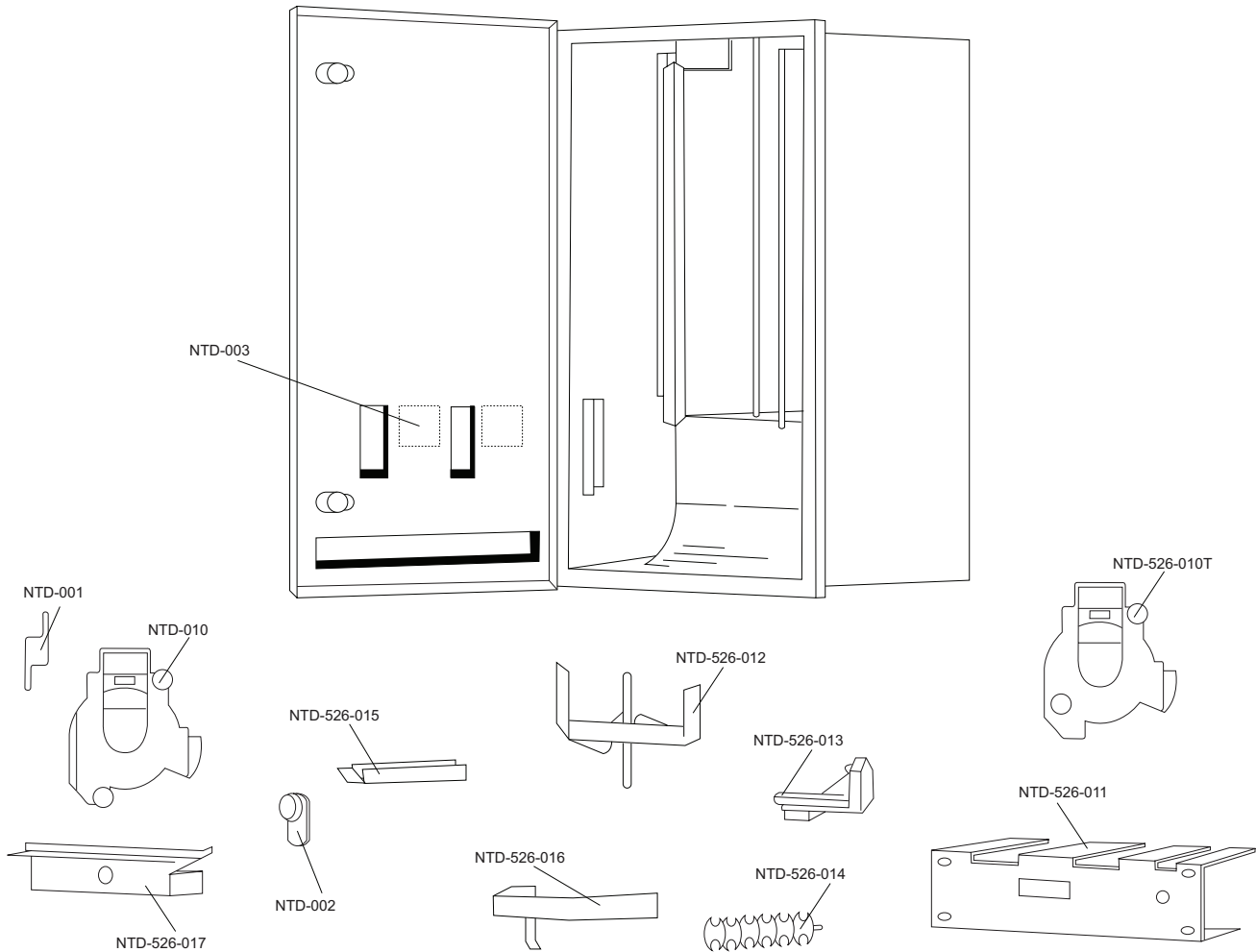
-VL7: 7 gallon liner

INSTALLATION

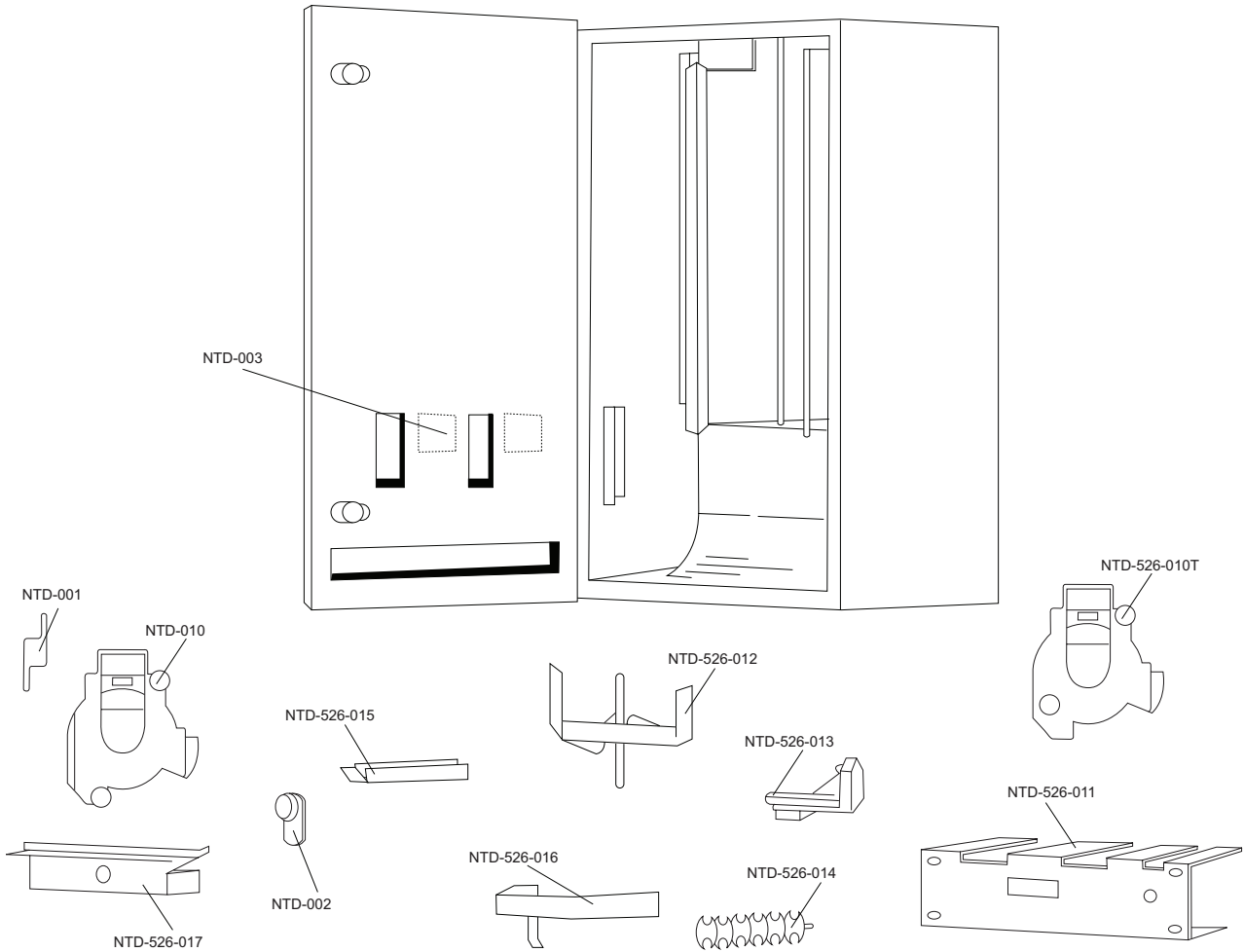
Provide an area on wall surface at desired or specified location. Hold unit to wall surface, making sure unit is level and transfer mounting points. Drill pilot holes. Using proper fasteners per application, secure unit to wall surface.

NOTES

Formerly Model #: U459



Part Number	Part Description
NTD-001	Turn knob with set screw
NTD-002	HL100 lock & key
NTD-003	Coin & denomination label
NTD-526-011	Mounting plate
NTD-526-012	Two stack finger plate
NTD-526-013	Flipper horn
NTD-526-014	Tampon rotor
NTD-526-015	Tampon weight
NTD-526-016	Napkin weight
NTD-526-10N	Coin mechanism for napkin dispenser only (.10, .25, .50 & Free)
NTD-010	Coin mechanism for tampon dispenser (.10, .25, .50 & Free)
NTD-526-017	Coin box



Part Number	Part Description
NTD-001	Turn knob with set screw
NTD-002	HL100 lock & key
NTD-003	Coin & denomination label
NTD-526-011	Mounting plate
NTD-526-012	Two stack finger plate
NTD-526-013	Flipper horn
NTD-526-014	Tampon rotor
NTD-526-015	Tampon weight
NTD-526-016	Napkin weight
NTD-526-10N	Coin mechanism for napkin dispenser only (.10, .25, .50 & Free)
NTD-010	Coin mechanism for tampon dispenser (.10, .25, .50 & Free)
NTD-526-017	Coin box



U526-SM

Surface Mounted Sanitary Napkin & Tampon Dispenser

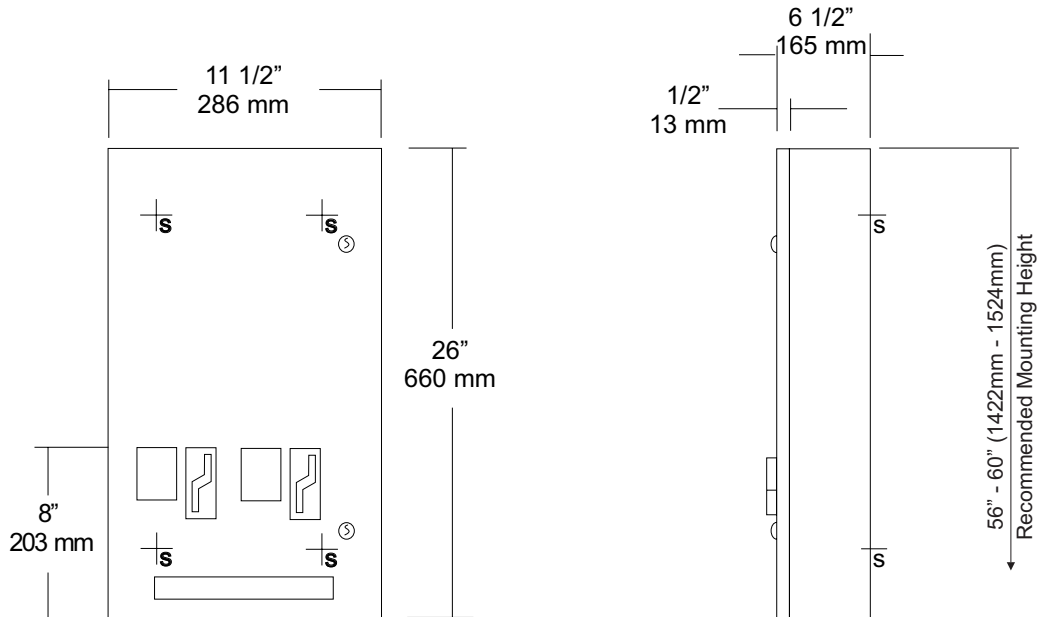
Revision 03/11

JOB #:

ITEM #:

QUANTITY:

MOUNTING	HANDING	TYPE	SIZE	OTHER



SPECIFICATIONS

Door: Fabricated of #18 ga stainless steel with #4 satin finish. Door has 1/2" returns for rigidity.

Body: Fabricated of #22 ga stainless steel with a #4 satin finish.

Coin Mechanisms: Two independent, trouble free turn knob mechanisms, with an "EMPTY" indicator that does not allow coins to be inserted into mechanism when product has been depleted. Operational with one hand with less than 5 lbs of force without tight grasping. Can be operated with palm, elbow or forearm if user has a physical impairment. (Free, .5, .10, .25, .50)

Hinges: Full length, heavy duty, stainless steel piano type hinge.

Locks: Pin tumbler, commercial quality, keyed like all other AJW cabinets. *(Coin box keyed differently then the door for security)

Overall Size: 11 1/2"W x 26"H x 6 1/2"D

292mm x 660mm x 165mm

Capacity: Napkins: 30, Tampons: 27

Verify Coinage: Napkin _____ Tampon _____

Recommended Package Sizes:

Napkins:

Min: 2 5/8"W x 4 1/8"L x 3/4"H

Max: 3 1/8"W x 4 1/2"L x 1 1/8"H

Tampons:

Min: 5/8" Dia. x 4 1/4"L

Max: 3/4" Dia. 5 1/8"L

INSTALLATION

Coordinate installation with architect or contractor to avoid interference with pipes, vents, etc. Open cabinet and transfer mounting points to wall surface after location is verified. Drill pilot holes and secure with proper fasteners per each application. Fill each chute with the proper products and make certain to place weights on the top product. Test operation of mechanism and dispensing of product before securing cabinet. Each cabinet comes with a parts list for ordering replacement parts if ever required.

*Note: Adjustable flange can be added to make unit Semi-Recessed. When mounted properly, unit will comply with ADA Code 4.27.4

NOTES

Formerly Model #: U527

U526-SM Installation Instruction Sheet

NTD-001	Turn knob with set screw
NTD-002	HL100 lock & key
NTD-003	Coin & denomination label
NTD-526-011	Mounting plate
NTD-526-012	Two stack finger plate
NTD-526-013	Flipper horn
NTD-526-014	Tampon rotor
NTD-526-015	Tampon weight
NTD-526-016	Napkin weight
NTD-526-10N	Coin mechanism for napkin dispenser only (.10, .25, .50 & Free)
NTD-010	Coin mechanism for tampon dispenser (.10, .25, .50 & Free)
NTD-526-017	Coin box

Overall Size: 11 1/2"W x 26"H x 6 1/2"D

Capacity: Napkins 30, Tampons 27

Package Sizes Dispensed:

Napkins:

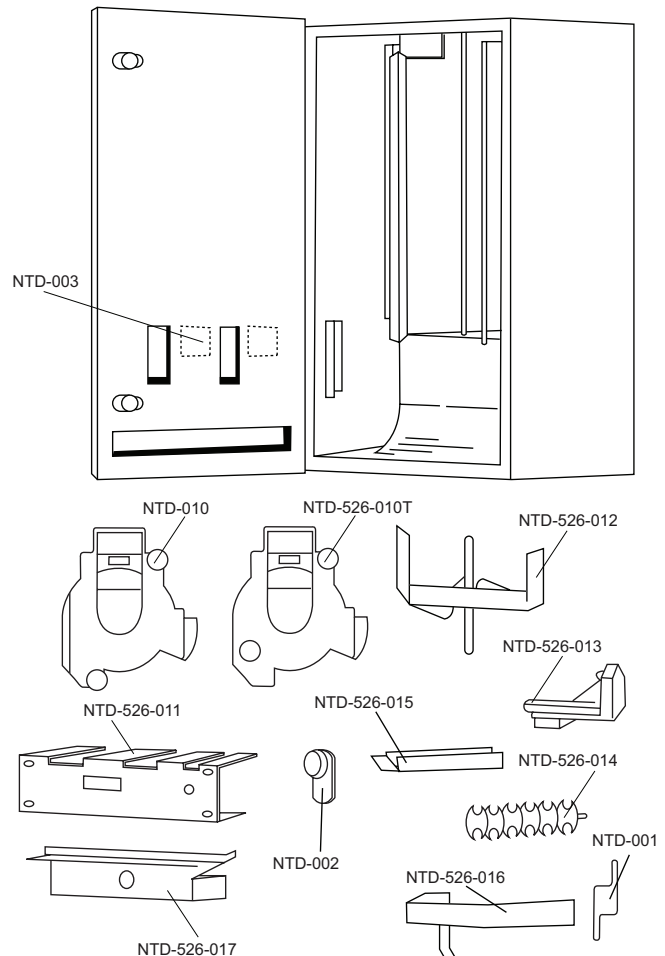
Min: 2 5/8"W x 4 1/8"L x 3/4"H

Max: 3 1/8"W x 4 1/2"L x 1 1/8"H

Tampons:

Min: 5/8" Dia. x 4 1/4"L

Max: 3/4" Dia. 5 1/8"L



INSTALLATION & TROUBLESHOOTING

Surfaced Units: Secure surface mounted units to wall surface through back of unit with four (4) #10 screws provided

Recommended Mounting Height: Finished floor to turn knob mechanism 40" for ADA compliance.

Troubleshooting

My Unit Will Not Accept Coins: Check to see if chutes are empty. This unit has an automatic empty indicator which prevents coins from entering slot when chute is empty.

The Packages Get Hung Up In Chute: Check packages for size as recommended by manufacturer. Make sure packages have not been wet, bent, crushed or are out of shape in any other manner.

Check if weight is being used properly over packages to be dispensed in each chute. Check chutes and front door to see if it has been vandalized or tampered with. In many cases chutes are damaged when units are vandalized. If chutes cannot be straightened, they should be replaced.

FEATURES & INSTRUCTIONS

1. Peel off coinage labels
2. Separate coin box lock from door locks
3. Two separate mechanisms that can operate independently of one another and at different coinages. If one is damaged or breaks, it can be individually replaced.
4. Weights will indicate on turn knob mechanisms when chutes are empty and will not allow coins to be inserted.
5. High storage capacity

Refilling The Vendor

Napkins: Remove weight from napkin chute and fill with napkin packages. Replace weight on top of napkins and store reserve napkins in storage area.

Tampons: Remove weight from tampon chute and fill with tampons. Replace weight on top of tampons and store reserve tampons in storage area.

Ordering Labels: When ordering labels or mechanisms specify product and coinage for proper labels.



U526

Sanitary Napkin & Tampon Dispenser

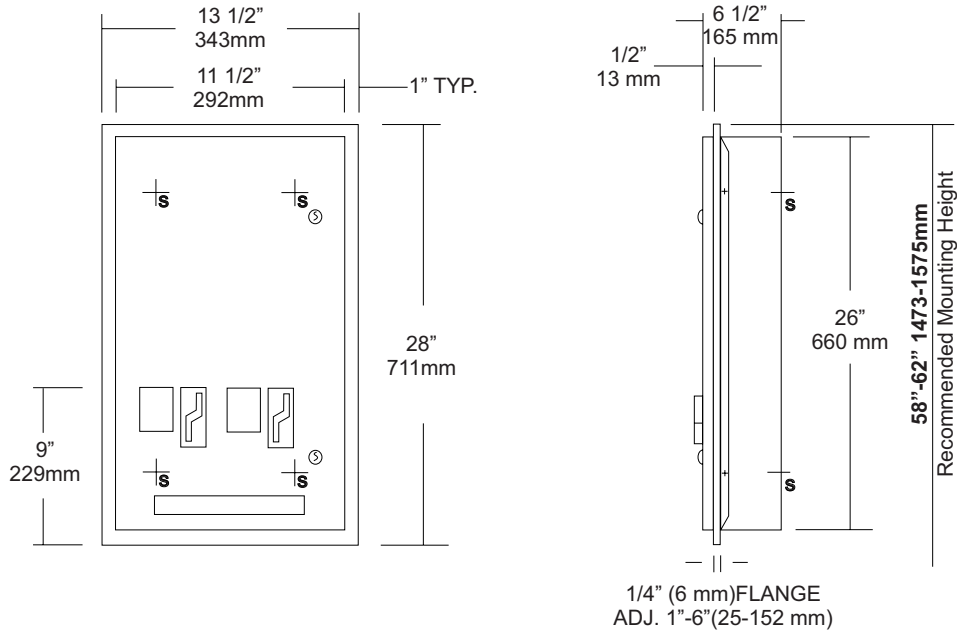
Revision 03/11

JOB #:

ITEM #:

QUANTITY:

MOUNTING	HANDING	TYPE	SIZE	OTHER



SPECIFICATIONS

Door: Fabricated of #18 ga stainless steel with #4 satin finish. Door has 1/2" returns for rigidity.

Body: Fabricated of #22 ga stainless steel with a #4 satin finish.

Adjustable Slip Flange: Fabricated of #22 ga stainless steel, one piece construction with no miters or welds and #4 satin finish. Flange will adjust from a 1" minimum to a 6" maximum wall depth.

Coin Mechanisms: Two independent, trouble free turn knob mechanisms, with an "EMPTY" indicator that does not allow coins to be inserted into mechanism when product has been depleted. Operational with one hand with less than 5 lbs of force without tight grasping. Can be operated with palm, elbow or forearm if user has a physical impairment. (Free, .5, .10, .25, .50)

Hinges: Full length, heavy duty, stainless steel piano type hinge.

Locks: Pin tumbler, commercial quality, keyed like all other AJW cabinets. *(Coin box keyed differently then the door for security)

Overall Size: 13 1/2"W x 28"H x 6 1/2"D

343mm x 711mm x 165mm

Wall opening: 11 3/4"W x 26 1/4"H x 1" min-6"D max.

298mm x 667mm x 25mm-152mm

Capacity: Napkins: 30, Tampons: 27

Verify Coinage: Napkin _____ Tampon _____

Recommended Package Sizes:

Napkins:

Min: 2 5/8"W x 4 1/8"L x 3/4"H

Max: 3 1/8"W x 4 1/2"L x 1 1/8"H

Tampons:

Min: 5/8" Dia. x 4 1/4"L

Max: 3/4" Dia. 5 1/8"L

INSTALLATION

Coordinate installation with architect or contractor to avoid interference with pipes, vents, etc. Provide a rough wall opening 11 3/4"W x 26 1/4"H. Depth will vary per application. Place adjustable flange in opening and secure with proper fasteners per application. Insert cabinet into opening and secure. Fill each chute with the proper products and make certain to place weights on the top product. Test operation of mechanism and dispensing of product before securing cabinet. Each cabinet comes with a parts list for ordering replacement parts if ever required.

*Note: Adjustable flange can be removed to make cabinet full surface mounted.

When mounted properly, unit will comply with ADA Code 4.27.4

NOTES

NTD-001	Turn knob with set screw
NTD-002	HL100 lock & key
NTD-003	Coin & denomination label
NTD-526-011	Mounting plate
NTD-526-012	Two stack finger plate
NTD-526-013	Flipper horn
NTD-526-014	Tampon rotor
NTD-526-015	Tampon weight
NTD-526-016	Napkin weight
NTD-526-10N	Coin mechanism for napkin dispenser only (.10, .25, .50 & Free)
NTD-010	Coin mechanism for tampon dispenser (.10, .25, .50 & Free)
NTD-526-017	Coin box

Overall Size: 13 1/2"W x 28"H x 6 1/2"D

Wall Opening: 11 3/4"W x 26 1/4"H x 1"D (min) to 6" (max)

Capacity: Napkins 30, Tampons 27

Package Sizes Dispensed:

Napkins:

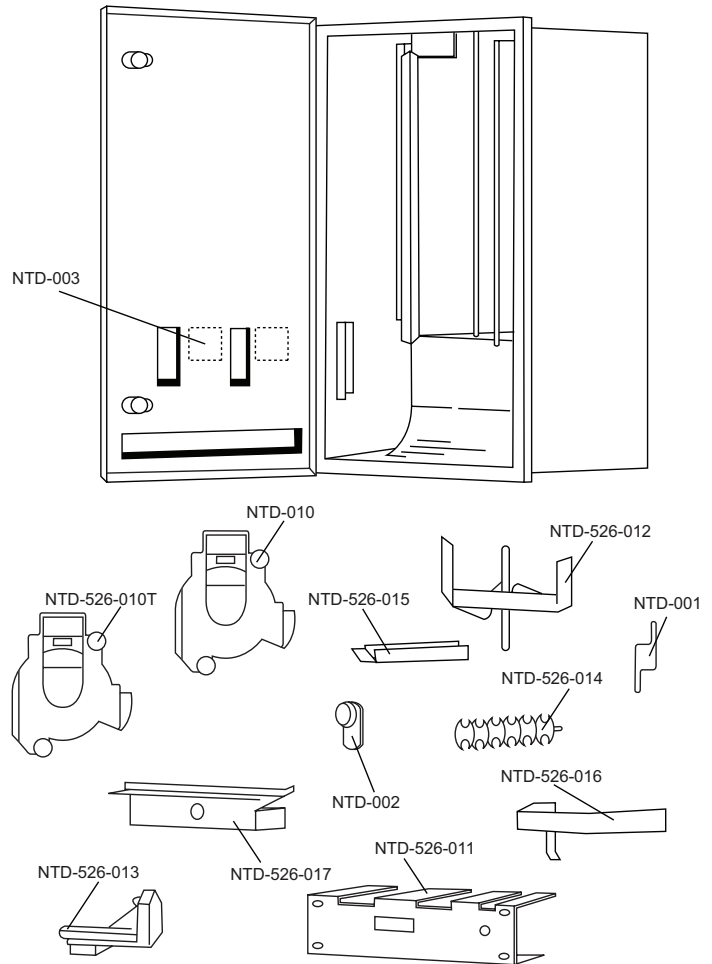
Min: 2 5/8"W x 4 1/8"L x 3/4"H

Max: 3 1/8"W x 4 1/2"L x 1 1/8"H

Tampons:

Min: 5/8" Dia. x 4 1/4"L

Max: 3/4" Dia. 5 1/8"L



INSTALLATION & TROUBLESHOOTING

Recessed Units: Secure frame to wall opening. Slide unit through frame to desired depth and secure in place with four (4) #10 screws provided. If rear mounting holes cannot be used, it may be necessary to drill holes in sides of unit as needed

Recommended Mounting Height: Finished floor to turn knob mechanism 40" for ADA compliance.

Troubleshooting

My Unit Will Not Accept Coins: Check to see if chutes are empty. This unit has an automatic empty indicator which prevents coins from entering slot when chute is empty.

The Packages Get Hung Up In Chute: Check packages for size as recommended by manufacturer. Make sure packages have not been wet, bent, crushed or are out of shape in any other manner.

Check if weight is being used properly over packages to be dispensed in each chute. Check chutes and front door to see if it has been vandalized or tampered with. In many cases chutes are damaged when units are vandalized. If chutes cannot be straightened, they should be replaced.

FEATURES & INSTRUCTIONS

1. Peel off coinage labels
2. Separate coin box lock from door locks
3. Two separate mechanisms that can operate independently of one another and at different coinages. If one is damaged or breaks, it can be individually replaced.
4. Weights will indicate on turn knob mechanisms when chutes are empty and will not allow coins to be inserted.
5. High storage capacity

Refilling The Vendor

Napkins: Remove weight from napkin chute and fill with napkin packages. Replace weight on top of napkins and store reserve napkins in storage area.

Tampons: Remove weight from tampon chute and fill with tampons. Replace weight on top of tampons and store reserve tampons in storage area.

Ordering Labels: When ordering labels or mechanisms specify product and coinage for proper labels.



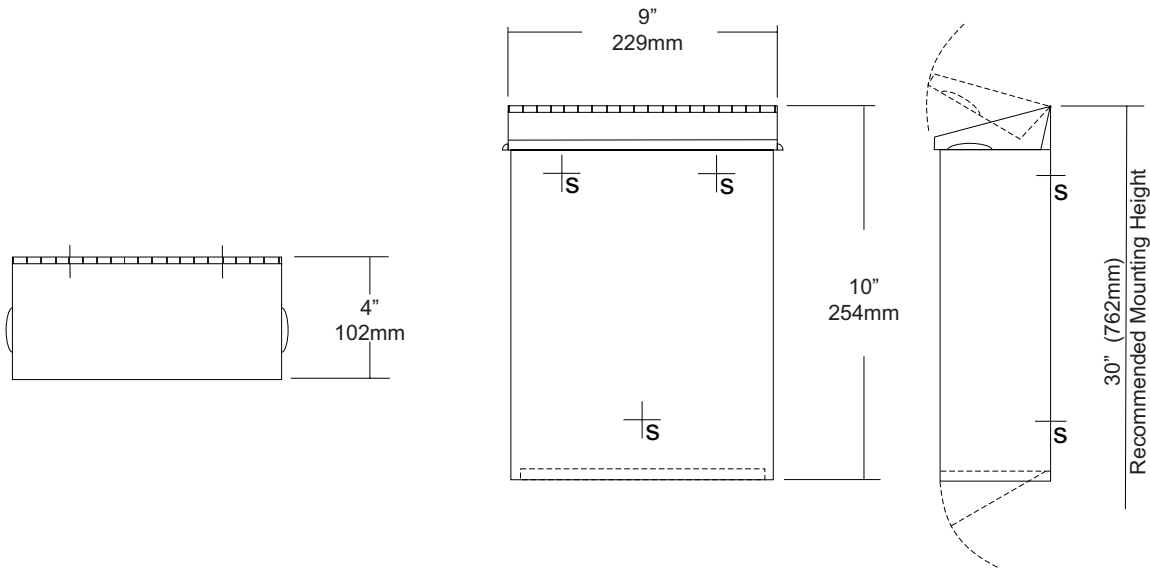
U590
Sanitary Napkin Disposal with Access Panel
Revision 10/11

JOB #:

ITEM #:

QUANTITY:

MOUNTING	HANDING	TYPE	SIZE	OTHER



SPECIFICATIONS

Cabinet Body: Fabricated of #22 ga stainless steel with #4 satin finish. Seamless construction with radius and hemmed edges.
Cabinet Back: Fabricated of Stainless steel welded to cabinet body with key hole mounting points.
Cover: Fabricated of #22 ga stainless steel #4 satin finish with embossed handles on each side and sloped top.
Bottom Panel: #22 ga hinged and locked for removal of contents.
Hinges: Heavy duty, full length, stainless steel piano type hinges.
Lock: Commercial quality keyed like all other AJW cabinets.
Overall Size: 9"W x 10"H x 4"D
229mm x 254mm x 102mm
Capacity: 1.6 gallons (.2 cu ft)
NDL-13-50: Waxed disposable liners. (50 per Case)

INSTALLATION

Provide an area at desired or specified location. Place unit on surface and transfer mounting points. Drill pilot holes and secure with proper fasteners. Install waxed liner.

NOTES



U659HF

Roll Towel & Waste Combination Unit

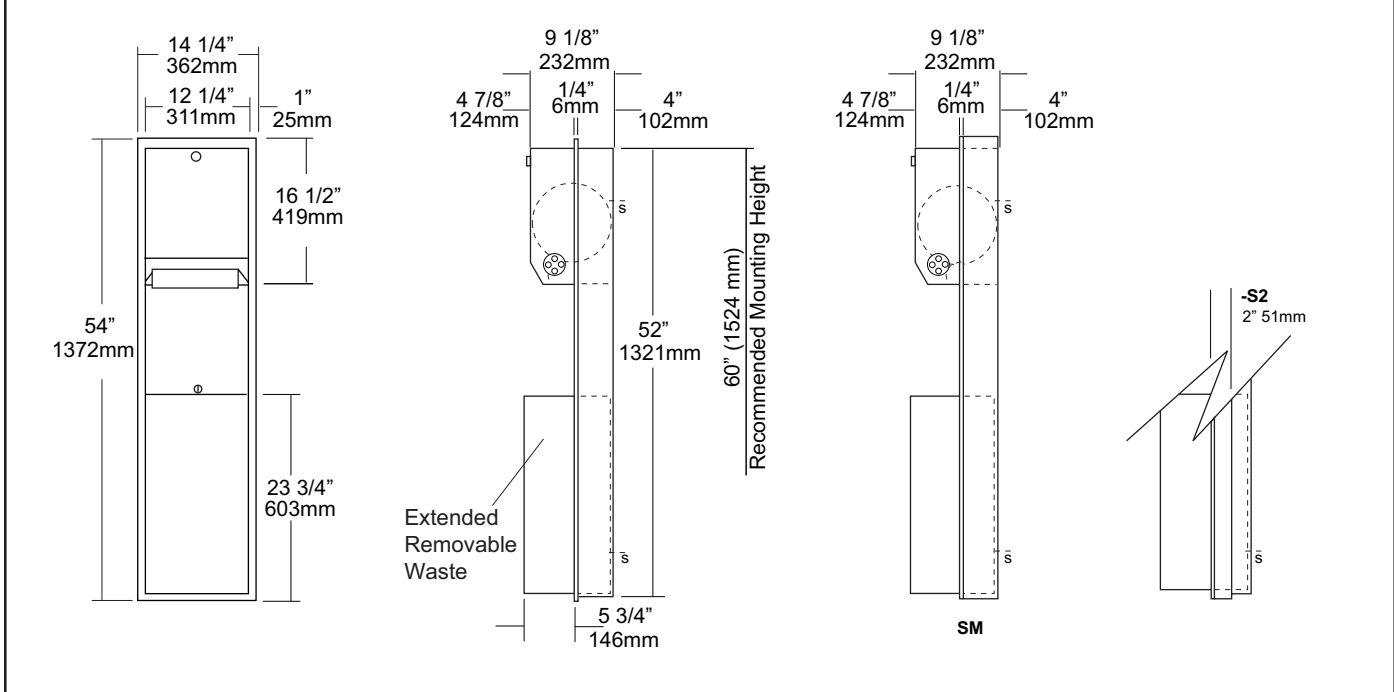
Revision 11/14

JOB #:

ITEM #:

QUANTITY:

MOUNTING	HANDING	TYPE	SIZE	OTHER



SPECIFICATIONS INSTALLATION

Body: Fabricated of #22 ga stainless steel with a #4 satin finish.

Flange: Fabricated of #22 ga stainless steel finished to match cabinet with 1/4" returns. (No miters or welds)

Cabinet Back: Fabricated of stainless steel formed for rigidity with multiple welds to cabinet body.

Cabinet Door: Fabricated of #18 ga stainless steel with #4 satin finish, with full length door stop to reduce vandalism

Towel Dispenser: Hands free roll mechanism is fabricated of #20 ga steel formed for rigidity. Unit will accommodate one 8" or 9" wide roll with a max O.D. of 7 7/8". Manual side rotating knob allows maintenance crew to start roll. When paper is torn a starter piece will be partially exposed.

Removable Extended Waste: Fabricated of #22 ga stainless steel #4 satin finish with all leading edges to have a radius. Unit is secured in place by a bottom bracket guide and top lock. Embossed tabs allow liners to be held in place.

Hinge: Full length, heavy duty, stainless steel piano-type hinge.

Collars: Fabricated of #22 ga stainless steel, #4 satin finish.

Locks: Pin tumbler type, keyed like all other AJW cabinets.

Overall Size: 14 1/4"W x 54"H x 10"D
362mm x 1372mm x 254mm

Wall Opening: 12 3/4"W x 52 1/2"H x 4"D
324mm x 1334mm x 102mm

U659HF-S2: 2" Semi recessing collar

U659HF-SM: Full surface mounted collar

Waste Capacity: 12 gallons (1.60 cu ft)

Towel Capacity: One standard size roll of 8" or 9" wide. (Use only non-perforated towels). One stub roll up to 2 3/4" OD

***Recommended 600ft roll for best results.**

Options:
-VL1: Reusable vinyl liner

Coordinate installation with architect and contractor to avoid interference with pipes, vents, etc. Provide a rough wall opening 12 3/4"W x 52 1/2"H. Required wall depth, will depend if full or semi-recessing is required. If collar is required, slide collar over the back before installing into wall. Remove waste from cabinet and mount unit plumb and true in opening with proper fasteners per application. Secure waste in cabinet and load paper towels.

Controls and or mechanisms should operate with one hand and force required to activate controls shall be no greater than 5 lbs. (4.27.4)

NOTES

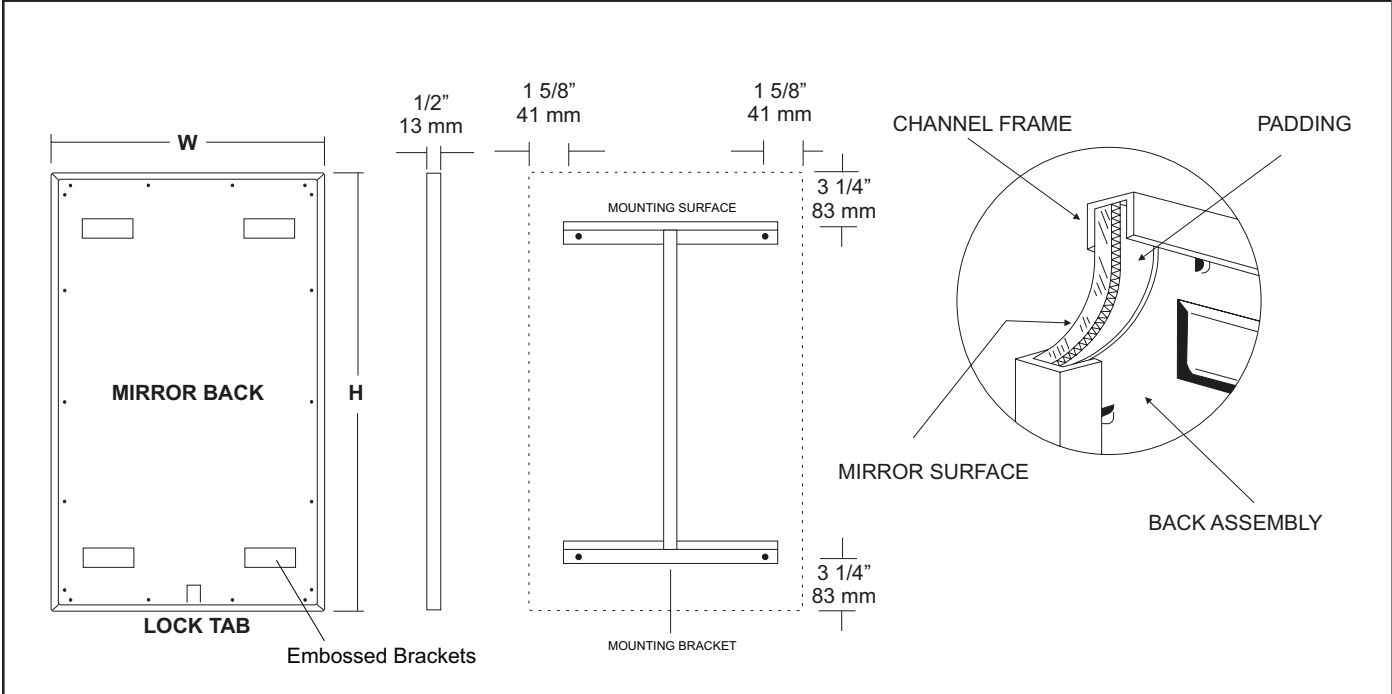
Formerly Model #: U662

JOB #:

ITEM #:

QUANTITY:

MOUNTING	HANDING	TYPE	SIZE	OTHER



SPECIFICATIONS

Frame: Fabricated of #20 ga stainless steel, #4 satin finish. Roll formed 1/2" x 1/2" x 1/2" channel frame has mitered corners and secured with stainless steel rivet.

Mirror: 1/4" thick type 1 transparent flat type, class 1 - clear glass mirrors. Mirror is coated with silver and sealed with a uniform electrolytic copper plating, along with two coats of paint for added protection. Mirrors are guaranteed against silver spoilage for a period of 15 years. Mirrors conform to ASTM C1036 and ASTM C1503-R8.

Filler: Full size, 1/8" shock absorbing, water resistant, nonabrasive, polyethylene padding protects all concealed mirror surfaces.

Back: #20 ga pre-plated galvanized steel, with embossed horizontal louver mounting brackets. Embossed theft resistant pressure activated clip lock device, locks mirror in place to wall hangers.

Hangers: Fabricated of #20 ga pre-plated steel galvanized steel with mounting points.

Standard Sizes Available (W x H): 16"x20", 16"x24", 16"x30", 18"x24", 18"x30", 18"x36", 24"x30", 24"x36", 24"x42", 24"x48", 18"x60", 20"x60", 24"x60", 18"x72", 24"x72"

Options:

- LG:** Laminated Glass
- LX:** Polycarbonate
- PM:** Plastic Acrylic
- T:** Tempered Glass
- VC:** Vinyl Clad (Safety Glass)
- 8B:** #8 Reflective Stainless Steel

*Stainless steel mirrors reflect images in different optic quality than plate glass. There will be a slight distortion which increases proportionately with the mirror size. Therefore, AJW Architectural Products™ cannot be held responsible for quality of image.

- **Mirrors are always ordered Width x Height
- ***Recommended max size for 8B mirrors: 72" x 47-1/2"
- ****Framed mirrors are fabricated to a tolerance of (+/-) 1/8"
- ***** Mirrors conform to Federal Specifications DD-M-00411b & DD-g-541D

INSTALLATION

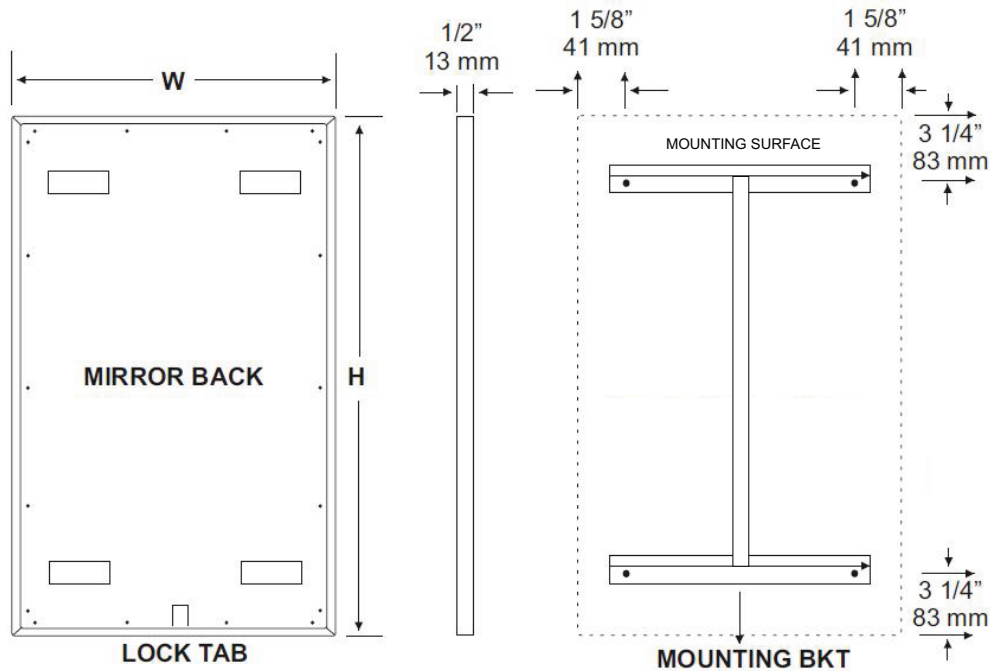
Coordinate installation with architect / contractor for specific mounting location and height for each mirror application. Making sure "I" bracket is level, transfer all mounting point locations to wall surface from drawing. Secure brackets with proper fasteners for each application. Slide mirror down over horizontal brackets until clip lock secures mirror in place. Mirror can only be removed by inserting tool through hole at bottom of frame depressing clip. This will allow mirror to slide up over brackets. Fillers are available if mirrors are mounted above and below tile line. (U004 Filler) filler material will match mirror frame to form a one piece construction.

To meet ADA Code, bottom edge of reflective surface can be no higher than 40" above finished floor. (4.19.6) Full length mirrors may be used for universal application when installed in correct locations.

Abrasive cleaners & chloric solutions should not be used on mirrors. Discoloring and /or scratching of frame and reflective surface may occur.

NOTES

U711 Installation Instruction Sheet



INSTALLATION

Coordinate installation with architect / contractor for specific mounting location and height for each mirror application. Making sure "I" bracket is level, transfer all mounting point locations to wall surface from drawing. Secure brackets with proper fasteners for each application. Slide mirror down over horizontal brackets until clip lock secures mirror in place. Mirror can only be removed by inserting tool through hole at bottom of frame depressing clip. This will allow mirror to slide up over brackets. Fillers are available if mirrors are mounted above and below tile line. (U004 Filler) Filler material will match mirror frame to form a one piece construction.

To meet ADA Code, bottom edge of reflective surface can be no higher than 40" above finished floor. (4.19.6) Full length mirrors may be used for universal application when installed in correct locations.

CARE & CLEANING

Wipe mirrors with a soft cloth, taking special care to rub stainless steel frames with the grain to avoid scratching. Do not use abrasive cleaners containing chloric solutions on stainless steel frames. Glass Plus or other window cleaning products are ideal.



U840 Toilet Tissue Dispenser

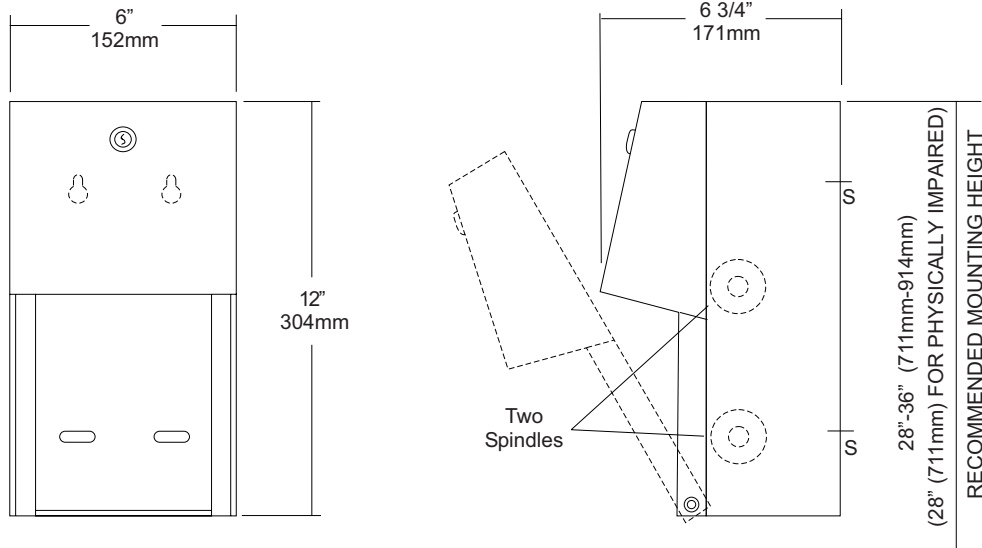
Revision 03/11

JOB #:

ITEM #:

QUANTITY:

MOUNTING	HANDING	TYPE	SIZE	OTHER



SPECIFICATIONS

Body: Fabricated of #22 ga stainless steel with #4 satin finish. Concealed inner dispensing mechanism is #18 ga stainless steel.

Back: Fabricated of #18 ga stainless steel with multiple welds to cabinet body forming a one piece construction.

Hood: Fabricated of #18 ga stainless steel finished to match cabinet body. Hood is secured with stainless steel hinge rivets to cabinet body. Top roll of tissue will not drop down unless the bottom roll has been depleted. When unit is closed, this will provide a theft resistant, non-control operation and reduce vandalism.

Locks: Pin tumbler, commercial quality locks keyed like all other AJW cabinets.

Spindles: (U005) Fabricated of one-piece molded high impact black ABS material.

Overall Size: 6"W x 12"H x 6 3/4"D

152mm x 305mm x 171mm

Capacity: Two standard rolls with a 5 1/4" (133mm) OD..

INSTALLATION

Provide an area on mounting surface at desired or specified location. Open cabinet, remove spindles and hold unit to wall at desired location. Transfer mounting points and drill pilot holes. Secure unit with proper fasteners per each application. Load toilet tissue on rollers, place in concealed track and close hood. Raise lower roll against upper and take hand away. Lower roll should fall into place with upper roll remaining up above the hood line. If loaded properly, top roll will not fall for use until bottom roll has been depleted. When servicing dispenser, full rolls must be used on both spindles to insure proper operation.

All toilet tissue dispensers that meet ADA code cannot have any type of control delivery. (4.16)

NOTES

Formerly Model #: U840A



U851 Seat Cover Dispenser

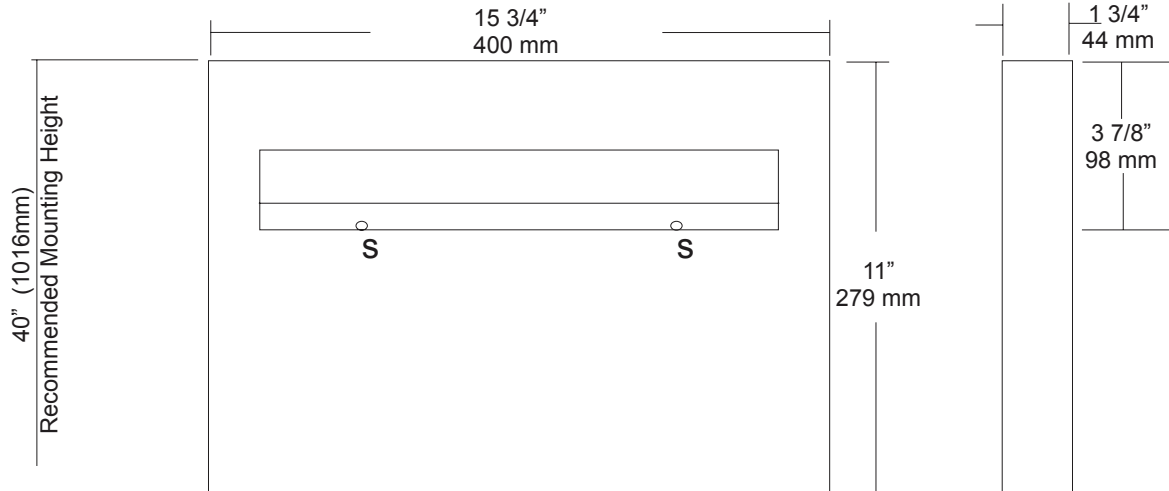
Revision 07/15

JOB #:

ITEM #:

QUANTITY:

MOUNTING	HANDING	TYPE	SIZE	OTHER



SPECIFICATIONS

Dispenser: Unit is fabricated of #22 gauge stainless steel with a #4 satin finish. Beveled edge around the dispensing areas ensures a clean dispensing area that prevents product from tearing and injury. Loading of product is accomplished from below without having to open any locking mechanism or access panel. Hat style mounting bracket provides added rigidity for body and acts as a support for the packaging.

Overall Size: 15 3/4"W x 11"H x 1 3/4"D

400mm x 279mm x 44mm

Capacity: 500 seat covers

INSTALLATION

Place unit on wall surface at desired or specified location making sure unit is level. Transfer mounting point locations and drill pilot holes for mounting. Secure unit to surface with proper fasteners per application. Product loads from the bottom out of site from public view.

NOTES



U984-SM

Baby Changing Station

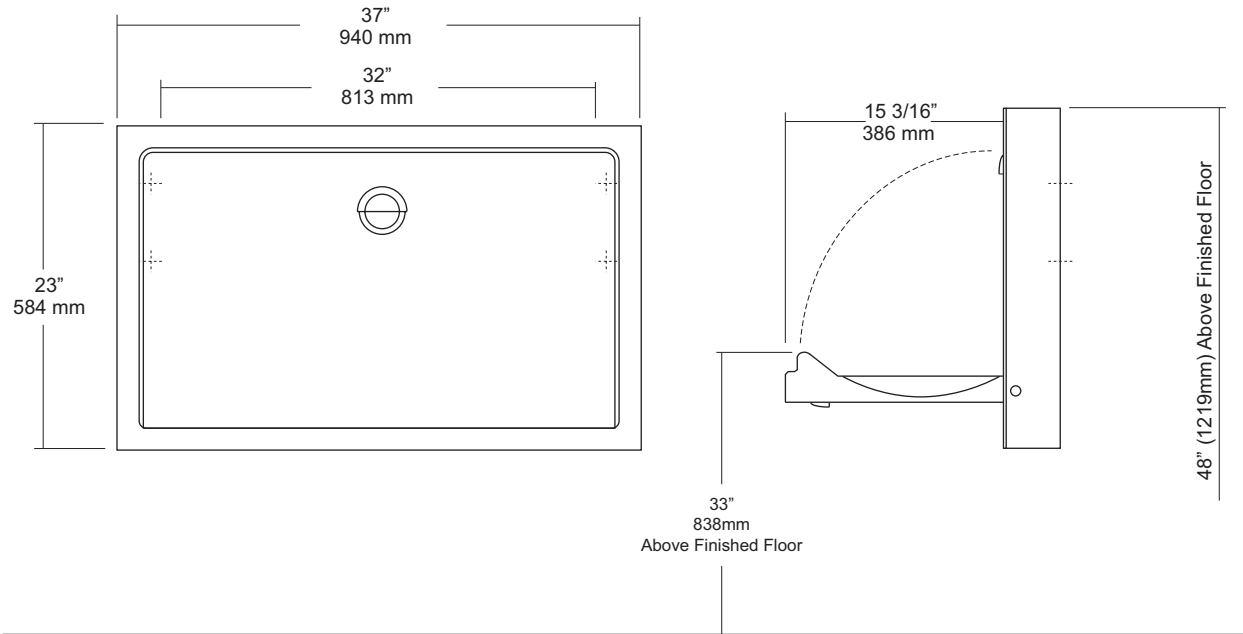
Revision 07/15

JOB #:

ITEM #:

QUANTITY:

MOUNTING	HANDING	TYPE	SIZE	OTHER



SPECIFICATIONS	INSTALLATION
----------------	--------------

Body: Fabricated of high impact ABS polyethylene with Microban Anti-Microbial additive, and radius leading edges that prevent injury. Material is odor resistant and easy to clean and available in grey. Base is concave formed to allow safe and easy changing. Molded graphics and brail comply with ADA code.

External Wrap: Fabricated of #18 ga stainless steel with a #4 satin finish. Wrap is reinforced with a full length steel on steel mechanism with #11 ga mounting plate.

Liner Dispenser: An integral part of body that is standard with each unit.

Gas Shocks: Concealed gas spring actuators ensure a safe and smooth open and close motion.

Safety Straps: Snap lock fasteners to hold child securely in place.

Overall Size: 37"W x 23"H x 4"D (closed) 19"D (open)

940mm x 584mm x 102mm (closed) 483mm (open)

Colors Available: Grey

Coordinate installation with architect or contractor to avoid interference with surrounding objects in and out of wall. Making sure unit is level, transfer mounting point locations. Drill pilot holes and secure with proper fasteners for each application. (Recommend a qualified carpenter to install unit) Unit can be lowered with one hand and into position with less than 5 lbs of force, wall openingut turning or twisting of wrist. Verify with local codes and type approach (forward or side) for proper mounting height above finished floor. Mounting points are located on side of unit.

Unit should be cleaned once or more daily with a clean nylon brush and spray disinfectant.

When properly installed, baby changing stations comply with ASTM static load performance requirements.

NOTES

Formerly Model #: U945H-SS



UJ23
Clothes Hook

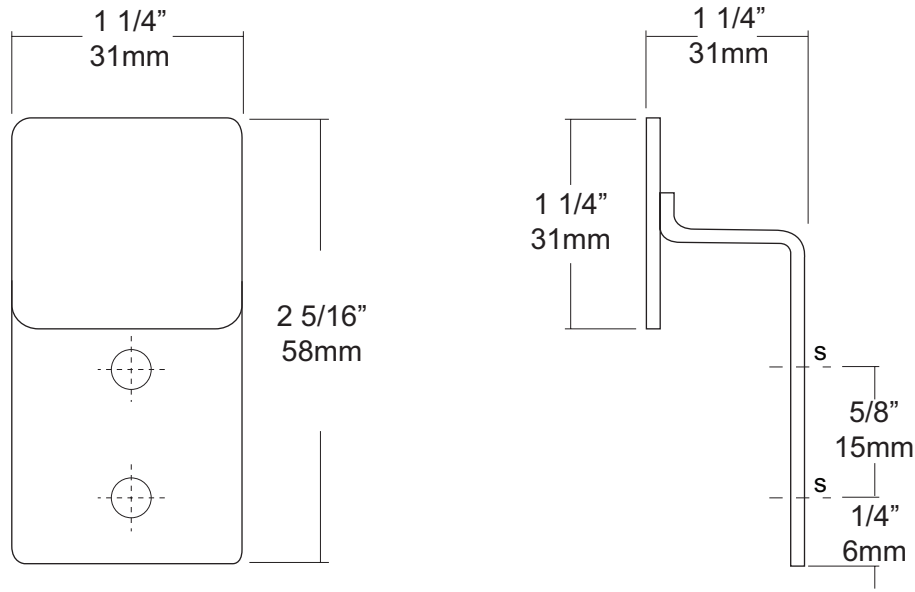
Revision 05/11

JOB #:

ITEM #:

QUANTITY:

MOUNTING	HANDING	TYPE	SIZE	OTHER



SPECIFICATIONS **INSTALLATION**

Clothes Hook: Fabricated of #11 gauge stainless steel with a #4 satin finish. Hook is fabricated with radiused edges for safety.
Overall Size: 1 1/4"W x 2 5/16"H x 1 1/4"D
31mm x 57mm x 31mm

Place unit to wall surface making sure unit is level and transfer mounting points. Drill pilot holes and secure unit with proper fasteners per application.

NOTES



UX143-BF

Door Bumper

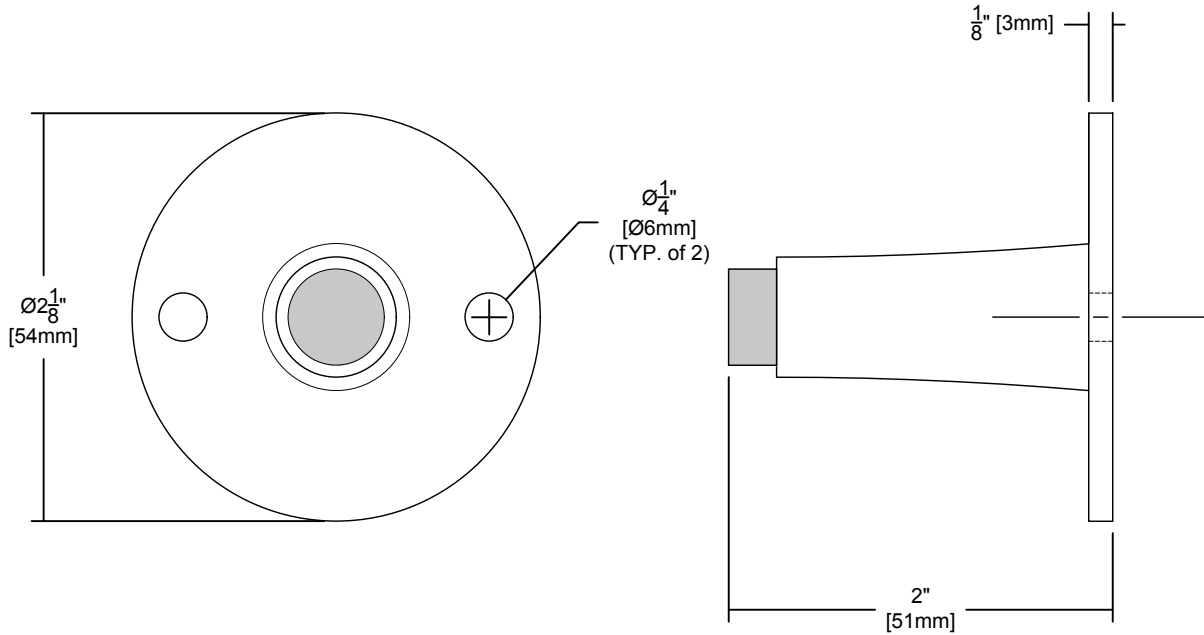
Revision 11/15

JOB #:

ITEM #:

QUANTITY:

MOUNTING	HANDING	TYPE	SIZE	OTHER



SPECIFICATIONS

Post / Bumper: Interior black nylon post with a neoprene tip; exterior post is Zamac.

Flange: 2-1/8" Dia. flange; #22 ga. polished chrome Zamac.

Overall Size: Ø2-1/8" x 2"D
Ø54mm x 51mm

UX143-SF: Same as UX143 with satin finish flange.

INSTALLATION

Provide an area on wall surface at desired or specified location. Assemble post into mounting plate and transfer mounting points. Drill pilot hole and secure with proper fastener. Secure provided fastener into wall surface with proper wall backing. (Ex: stud, blocking, or other proper anchoring devices)

NOTES