



U605

Folded Towel & Waste Combination Unit

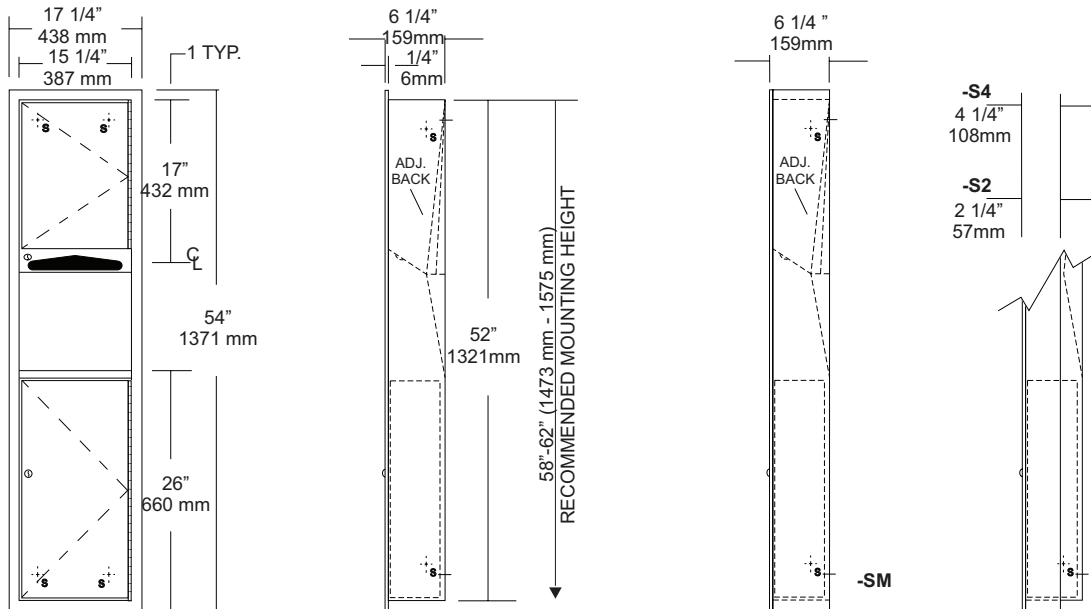
Revision 06/11

JOB #:

ITEM #:

QUANTITY:

MOUNTING	HANDING	TYPE	SIZE	OTHER
----------	---------	------	------	-------



SPECIFICATIONS

Body: Fabricated of #22 ga stainless steel with a #4 satin finish on all exposed surfaces.

Flange: Fabricated of #22 ga stainless steel with a #4 satin finish and 1/4" returns to wall, no exposed miters or welds.

Back: Fabricated of stainless steel formed for rigidity with multiple welds to cabinet body.

Door: Fabricated of #22 ga stainless steel with a #4 satin finish and full length door stops.

Towel Dispenser: Dispensing area has hemmed edges to prevent injury and towel tearing. Adjustable back allows c-fold and single-fold towels to be dispensed.

Dispenser: Dispensing area has hemmed edges to prevent injury and towel tearing.

Removable Waste Capacity: Removable steel waste with heavy duty handle for easy servicing.

Hinges: Heavy duty, full length, stainless steel piano type hinge.

Locks: Pin tumbler commercial quality keyed like all other AJW cabinets.

Collars: Fabricated of #22 ga stainless steel finished to match cabinet body.

Overall Size: 17 1/4"W x 54"H x 6 1/4"D
445mm x 1378mm x 159mm

Wall Opening: 15 3/4"W x 52 1/2"H x 6"D
400mm x 1339mm x 152mm

U605-S2: 2" semi-recessed. 4" (102mm) wall opening

U605-S4: 4" semi-recessed. 2" (51mm) wall opening

U605-SM: Surface Mounted

Towel Capacity: 600 c-fold, 800 multifold or 1200 singlefold.

Waste Capacity: 10 gallons (1.34 cu ft)

Options:

-VL1: Reusable vinyl liner

INSTALLATION

Coordinate installation with architect and contractor to avoid interference with pipes, vent, etc.. in wall. Provide rough wall opening 15 3/4" W x 52 1/2"H x. Insert unit in opening making sure unit is plumb. If collars are required install on back of cabinet before placing in wall opening. Secure cabinet with proper fasteners per application. Follow paper loading instructions inside cabinet. Test dispenser for operation. Close cabinet door and secure after testing is complete.

NOTES