

date  
projectname  
attn  
from  
fax  
email  
phone

22/09/2016  
COEP  
Eng. Hatem AlHusari  
Mr. Qadri Saleh  
  
hatemalhusari@yahoo.com  
97418687



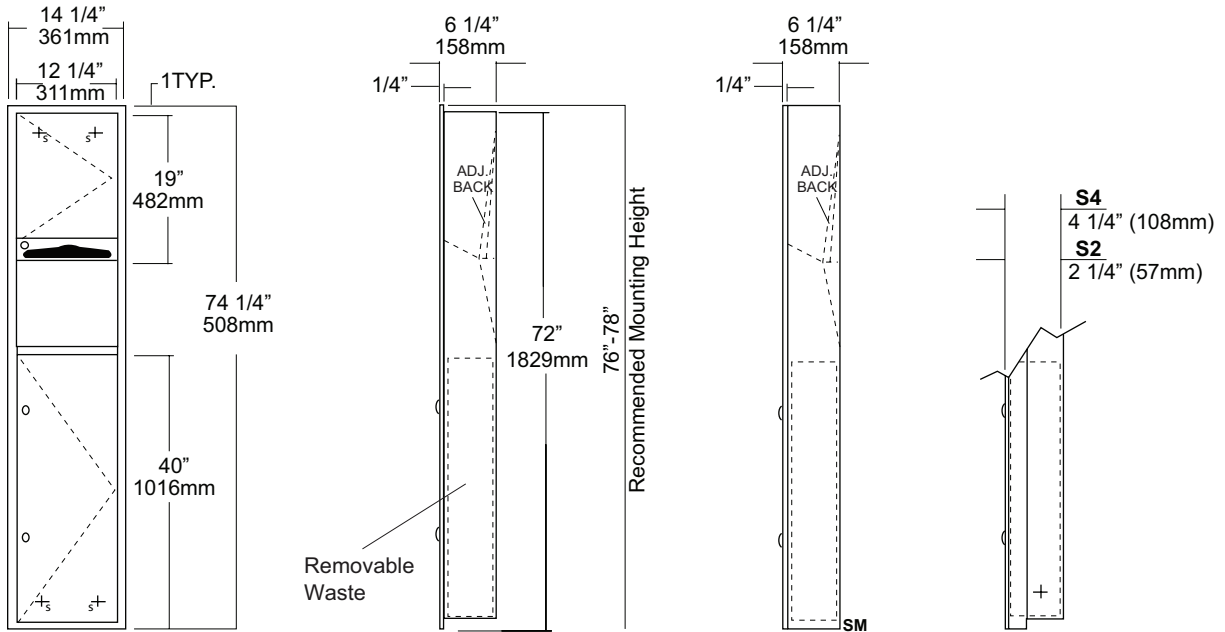
# U600

Folded Towel & Waste Combination Unit

Revision 03/11

JOB #:
ITEM #:
QUANTITY:

MOUNTING	HANDING	TYPE	SIZE	OTHER
----------	---------	------	------	-------



### SPECIFICATIONS

- Body:** Fabricated of #22 ga stainless steel, #4 satin finish.
- Flange:** Fabricated of #22 ga stainless steel finished to match cabinet with 1/4" returns. (No miters or welds)
- Cabinet Back:** Fabricated of stainless steel formed for rigidity with multiple welds to cabinet body.
- Cabinet Door:** Fabricated of #22 ga stainless steel with #4 satin finish, with full length doorstop to reduce vandalism
- Towel Dispenser:** Dispensing area has hemmed edges to prevent injury and towel tearing. Adjustable back allows c-fold and single-fold towels to be dispensed.
- Waste:** Removable steel waste with all leading edges hemmed. Unit is equipped with handle for easy handling.
- Hinge:** Full length stainless steel piano type hinge.
- Locks:** Pin tumbler commercial quality lock.
- Collars:** Fabricated of #22 ga stainless steel, finished to match cabinet. (semi-recessed and surface mounted)
- Overall Size:** 14 1/4"W x 74"H x 6 1/4"D  
362mm x 1842mm x 152mm
- Wall Opening:** 12 3/4"W x 72 1/2"H x 6"D  
324mm x 1842mm x 152mm
- U600-S2:** semi-recessed with 2" collar 4" wall opening
- U600-S4:** semi-recessed with 4" collar 2" wall opening
- U600-SM:** Surface mounted with full skirt
- Towel Capacity:** 600 c-fold, 800 multifold or 1200 singlefold
- Waste Capacity:** 10.5 gallons (1.4 cu ft)
- Options:**
- P: Rigid plastic waste insert

### INSTALLATION

Coordinate installation with architect and contractor to avoid interference with pipes, vents, etc. Provide a rough wall opening 12 3/4"W x 72 1/2"H. Required wall depth, will depend if full or semi-recessing is required. If collar is required, slide collar over the back before installing into wall. Remove waste from cabinet and mount unit plumb and true in opening with proper fasteners per application. Secure waste in cabinet and load paper lowers.

When cleaning cabinet, use a soft cloth, a non-abrasive or chloric solutions.

### NOTES



# U601

## Folded Towel & Waste Combination Unit

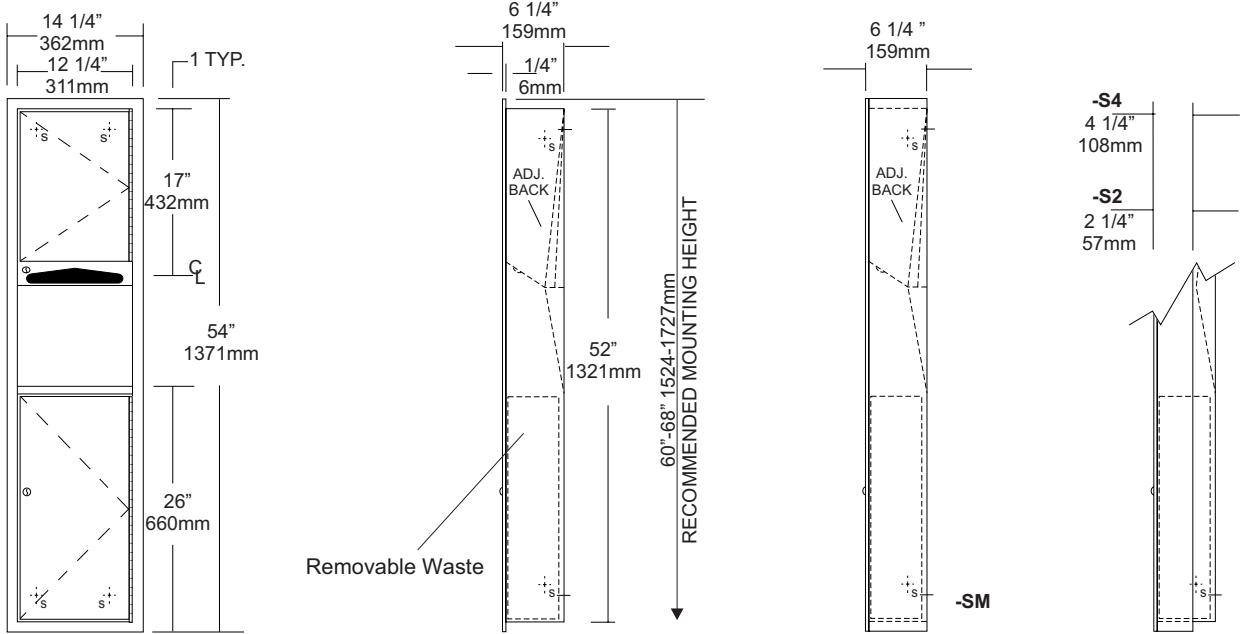
Revision 03/11

JOB #:

ITEM #:

QUANTITY:

MOUNTING	HANDING	TYPE	SIZE	OTHER



SPECIFICATIONS	INSTALLATION
----------------	--------------

**Body:** Fabricated of #22 ga stainless steel with a #4 satin finish.

**Flange:** Fabricated of #22 ga stainless steel with #4 satin finish and 1/4" returns to wall, no miters or welds.

**Cabinet Back:** Fabricated of stainless steel formed for rigidity with multiple welds to cabinet body.

**Cabinet Door:** Fabricated of #22 ga stainless steel with #4 satin finish with full length door stop.

**Towel Dispenser:** Dispensing area has hemmed edges to prevent injury and towel tearing. Adjustable back allows c-fold and single-fold towels to be dispensed.

**Removable Waste:** Removable waste, with heavy duty handle for easy removal.

**Hinges:** Heavy duty, full length, stainless steel piano type hinge.

**Lock:** Pin tumbler commercial quality keyed like all other AJW cabinets.

**Collars:** Fabricated of #22 ga #4 satin finish stainless steel finished to match cabinet body

**Overall Size:** 14 1/4"W x 54"H x 6 1/4"D  
 362mm x 1372mm x 159mm

**Wall Opening:** 12 3/4"W x 52 1/2"H x 6"D  
 324mm x 1334mm x 152mm

**U601-S2:** semi-recessed with 2" collar 4" wall opening 102mm

**U601-S4:** semi-recessed with 4" collar 2" wall opening 51mm

**U601-SM:** Surface mounted with full skirt.

**Towel Capacity:** 600 c-fold or 800 multifold Or 1200 singlefold

**Waste Capacity:** 6 gallons (.80 cu ft)

**Options:**

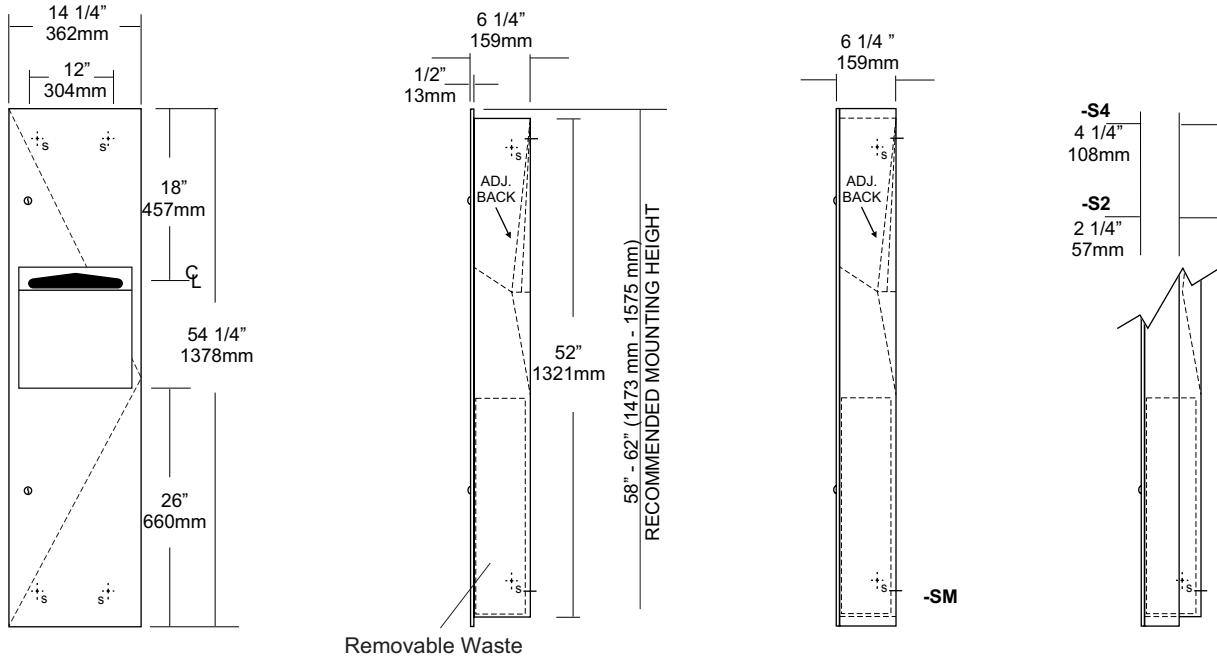
-P: Rigid plastic waste insert

Coordinate installation with contractor and architect to avoid interference with pipes vents etc. Provide a rough wall opening 12 3/4"W x 52 1/2"H. Wall opening depth will depend on style mounting. If a collar is required, slip over the back of the unit. Remove waste & install unit in opening. Make sure cabinet will sit flush in wall and secure with proper fasteners per application. Install waste back into cabinet and load paper towels.

When cleaning cabinet, use a soft cloth, a non-abrasive or chloric solutions.

**NOTES**

MOUNTING	HANDING	TYPE	SIZE	OTHER
----------	---------	------	------	-------



Removable Waste

### SPECIFICATIONS

- Body:** Fabricated of #22 ga stainless steel with a #4 satin finish.
- Flange:** Fabricated of #22 ga stainless steel with #4 satin finish and 1/4" returns to wall, no miters or welds.
- Cabinet Back:** Fabricated of stainless steel formed for rigidity with multiple welds to cabinet body.
- Uni-Door:** Fabricated of #18 ga stainless steel with #4 satin finish, one piece door with 1/2" returns.
- Towel Dispenser:** Dispensing area has hemmed edges to prevent injury and towel tearing. Adjustable back allows c-fold and single-fold towels to be dispensed.
- Removable Waste:** Removable waste, with heavy duty handle for easy removal.
- Hinges:** Heavy duty, full length, stainless steel piano type hinge.
- Lock:** Pin tumbler commercial quality keyed like all other AJW cabinets.
- Collars:** Fabricated of #22 ga #4 satin finish stainless steel finished to match cabinet body
- Overall Size:** 14 1/2"W x 54 1/4"H x 6 1/4"D  
368mm x 1378mm x 159mm
- Wall Opening:** 12 3/4"W x 52 1/2"H x 6"D  
324mm x 1334mm x 152mm
- U6014-S2:** semi-recessed with 2" collar 4" wall opening 102mm
- U6014-S4:** semi-recessed with 4" collar 2" wall opening 51mm
- U6014-SM:** Surface mounted with full skirt.
- Towel Capacity:** 600 c-fold or 800 multifold or 1200 singlefold
- Waste Capacity:** 6 gallons (.80 cu ft)
- Options:**
- P: Rigid plastic waste insert

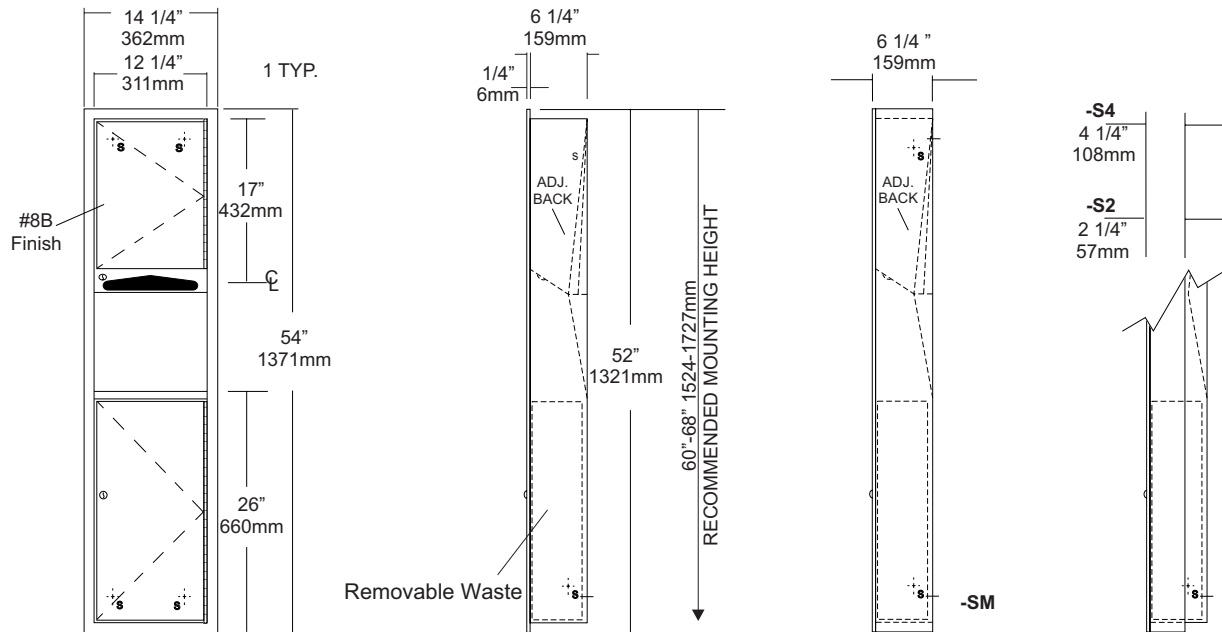
### INSTALLATION

Coordinate installation with contractor and architect to avoid interference with pipes vents etc. Provide a rough wall opening 12 3/4"W x 52 1/2"H. Wall opening depth will depend on style mounting. If a collar is required, slip over back of unit. Remove waste & install unit in opening. Make sure cabinet will sit flush in wall and secure with proper fasteners per application. Install waste back into cabinet and load paper towels.

When cleaning cabinet, use a soft cloth, a non-abrasive or chloric solutions.

### NOTES

MOUNTING	HANDING	TYPE	SIZE	OTHER
----------	---------	------	------	-------



### SPECIFICATIONS

**Body:** Fabricated of #22 ga stainless steel with a #4 satin finish.

**Flange:** Fabricated of #22 ga stainless steel with #4 satin finish and 1/4" returns to wall, no miters or welds.

**Cabinet Back:** Fabricated of stainless steel formed for rigidity with multiple welds to cabinet body.

**Cabinet Door:** Fabricated of #22 ga stainless steel with #4 satin finish with full length door stop. Top door has bright #8B finish.

**Towel Dispenser:** Dispensing area has hemmed edges to prevent injury and towel tearing. Adjustable back allows c-fold and single-fold towels to be dispensed.

**Removable Waste:** Removable waste, with heavy duty handle for easy removal.

**Hinges:** Heavy duty, full length, stainless steel piano type hinge.

**Lock:** Pin tumbler commercial quality keyed like all other AJW cabinets.

**Collars:** Fabricated of #22 ga #4 satin finish stainless steel finished to match cabinet body

**Overall Size:** 14 1/4"W x 54"H x 6 1/4"D  
362mm x 1372mm x 159mm

**Wall Opening:** 12 3/4"W x 52 1/2"H x 6"D  
324mm x 1334mm x 152mm

**U6018B-S2:** semi-recessed with 2" collar 4" wall opening 102mm

**U6018B-S4:** semi-recessed with 4" collar 2" wall opening 51mm

**U6018B-SM:** Surface Mounted

**Towel Capacity:** 600 c-fold or 800 multifold Or 1200 singlefold

**Waste Capacity:** 6 gallons (.80 cu ft)

**Options:**

- P: Rigid plastic waste insert

### INSTALLATION

Coordinate installation with contractor and architect to avoid interference with pipes vents etc. Provide a rough wall opening 12 3/4"W x 52 1/2"H. Wall opening depth will depend on style mounting. If a collar is required, slip over the back of the unit. Remove waste & install unit in opening. Make sure cabinet will sit flush in wall and secure with proper fasteners per application. Install waste back into cabinet and load paper towels.

When cleaning cabinet, use a soft cloth, a non-abrasive or chloric solutions.

### NOTES



# U602

## Folded Towel & Waste Combination Unit

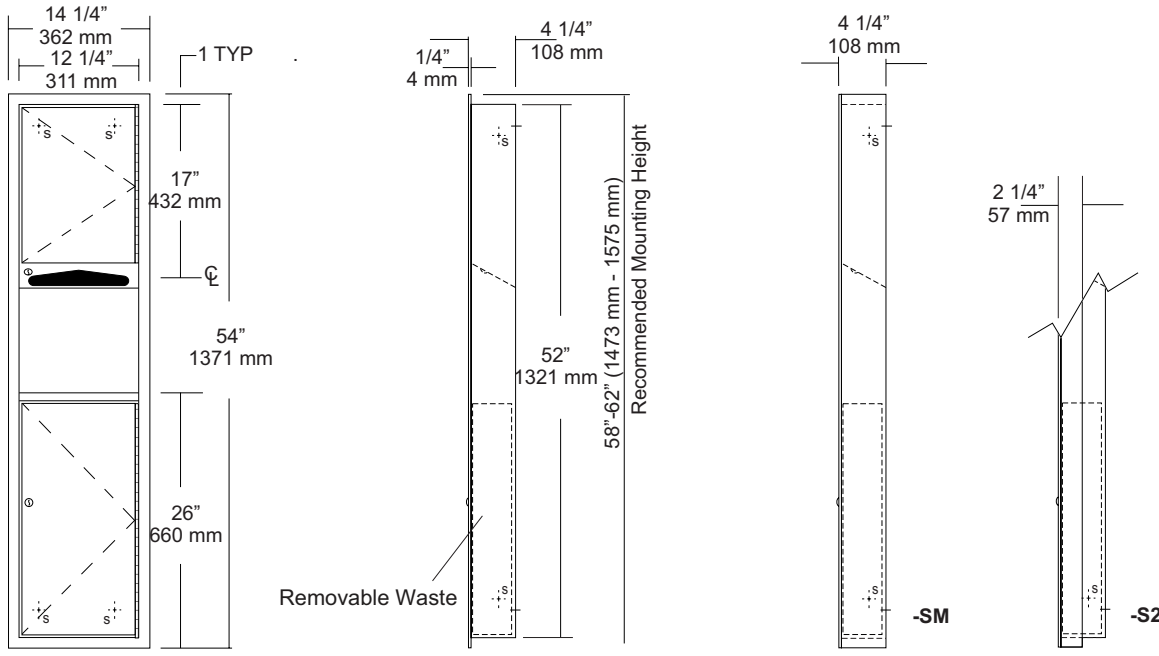
Revision 03/11

JOB #:

ITEM #:

QUANTITY:

MOUNTING	HANDING	TYPE	SIZE	OTHER



SPECIFICATIONS	INSTALLATION
----------------	--------------

**Body:** Fabricated of #22 ga stainless steel with a #4 satin finish.

**Flange:** Fabricated of #22 ga stainless steel with #4 satin finish and 1/4" returns to wall, no miters or welds.

**Cabinet Back:** Fabricated of stainless steel formed for rigidity with multiple welds to cabinet body.

**Cabinet Door:** Fabricated of #22 ga stainless steel with #4 satin finish with full length door stop to prevent vandalism

**Towel Dispenser:** Dispensing area has hemmed edges to prevent injury and towel tearing.

**Removable Waste:** Removable waste, with heavy duty handle for easy removal.

**Hinges:** Heavy duty, full length, stainless steel piano type hinge.

**Lock:** Pin tumbler commercial quality keyed like all other AJW cabinets.

**Collars:** #22 ga #4 satin finish stainless steel finished to match cabinet body.

**Overall Size:** 14 1/4"W x 54"H x 4 1/4"D  
**362mm x 1372mm x 108mm**

**Wall Opening:** 12 3/4"W x 52 1/2"H x 4"D  
**324mm x 1334mm x 102mm**

**U602-S2:** semi-recessed with 2" collar. (2" wall opening 51mm)

**U602-SM:** Surface mounted with full skirt.

**Towel Capacity:** 600 c-fold or 800 multifold

**Waste Capacity:** 4 gallons (.53 cu ft)

Coordinate installation with contractor and architect to avoid interference with pipes vents etc. Provide a rough wall opening 12 3/4"W x 52 1/2"H. Wall opening depth will depend on style mounting. If a collar is required, slip over back of unit. Remove waste & install unit in opening. Make sure cabinet will sit flush in wall and secure with proper fasteners per application. Install waste back into cabinet and load paper towels.

When cleaning cabinet, use a soft cloth, a non-abrasive or chloric solutions.

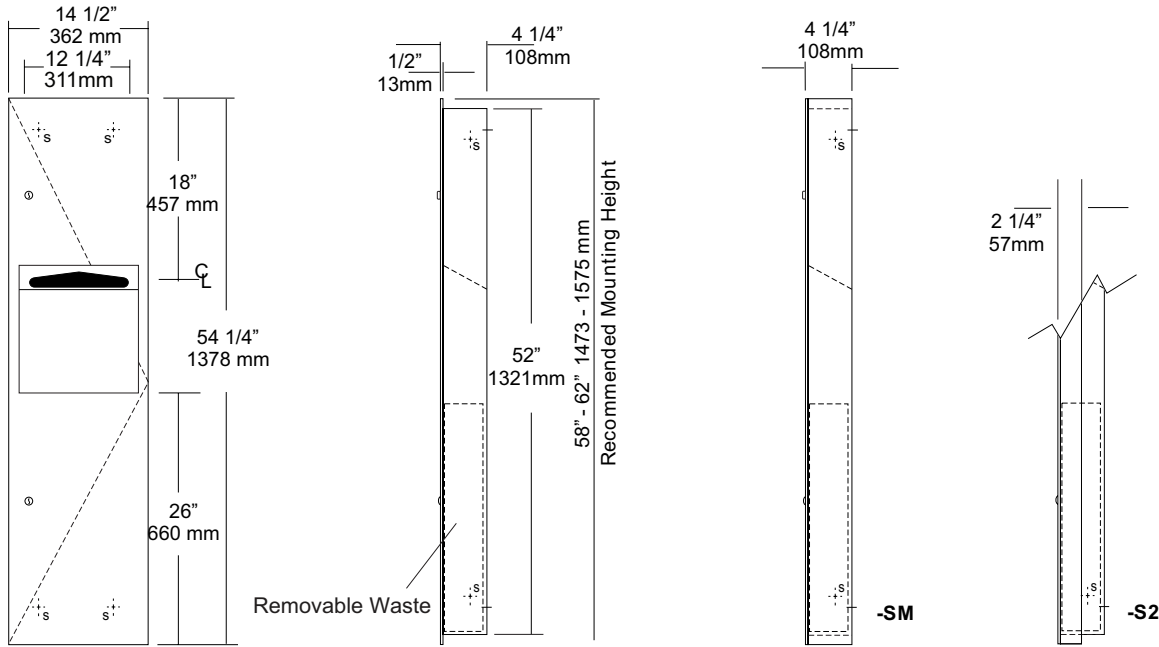
**NOTES**

JOB #:

ITEM #:

QUANTITY:

MOUNTING	HANDING	TYPE	SIZE	OTHER
----------	---------	------	------	-------



### SPECIFICATIONS

**Body:** Fabricated of #22 ga stainless steel with a #4 satin finish.

**Flange:** Fabricated of #22 ga stainless steel with #4 satin finish and 1/4" returns to wall, no miters or welds.

**Cabinet Back:** Fabricated of stainless steel formed for rigidity with multiple welds to cabinet body.

**Uni-Door:** Fabricated of #18 ga stainless steel with #4 satin finish, one piece door with 1/2" returns.

**Towel Dispenser:** Dispensing area has hemmed edges to prevent injury and towel tearing.

**Removable Waste:** Removable waste, with heavy duty handle for easy removal.

**Hinges:** Heavy duty, full length, stainless steel piano type hinge.

**Lock:** Pin tumbler commercial quality keyed like all other AJW cabinets.

**Collars:** Fabricated of #22 ga #4 satin finish stainless steel finished to match cabinet body.

**Overall Size:** 14 1/2" W x 54 1/4"H x 4 1/4"D  
368mm x 1378mm x 108mm

**Wall Opening:** 12 3/4"W x 52 1/2"H x 4"D  
324mm x 1334mm x 102mm

**U6024-S2:** semi-recessed with 2" collar. (2" wall opening 51mm)

**U6024-SM:** Surface mounted with full skirt.

**Towel Capacity:** 600 c-fold or 800 multifold

**Waste Capacity:** 4 gallons (.53 cu ft)

### INSTALLATION

Coordinate installation with contractor and architect to avoid interference with pipes vents etc. Provide a rough wall opening 12 3/4"W x 52 1/2"H. Wall opening depth will depend on style mounting. If a collar is required, slip over back of unit. Remove waste & install unit in opening. Make sure cabinet will sit flush in wall and secure with proper fasteners per application. Install waste back into cabinet and load paper towels.

When cleaning cabinet, use a soft cloth, a non-abrasive or chloric solutions.

### NOTES



# U605

Folded Towel & Waste Combination Unit

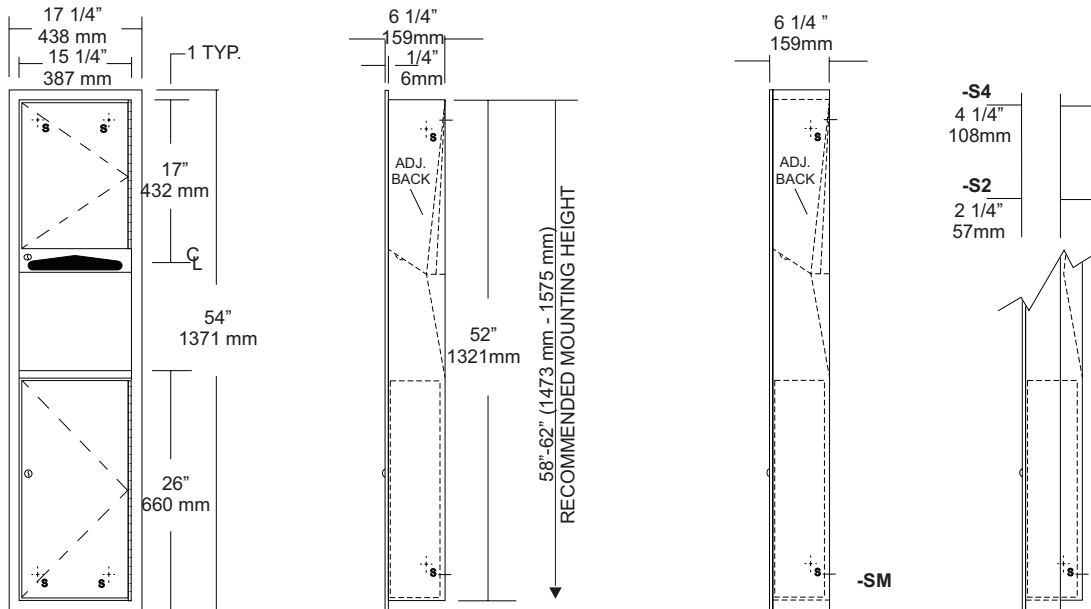
Revision 06/11

JOB #:

ITEM #:

QUANTITY:

MOUNTING	HANDING	TYPE	SIZE	OTHER
----------	---------	------	------	-------



## SPECIFICATIONS

**Body:** Fabricated of #22 ga stainless steel with a #4 satin finish on all exposed surfaces.

**Flange:** Fabricated of #22 ga stainless steel with a #4 satin finish and 1/4" returns to wall, no exposed miters or welds.

**Back:** Fabricated of stainless steel formed for rigidity with multiple welds to cabinet body.

**Door:** Fabricated of #22 ga stainless steel with a #4 satin finish and full length door stops.

**Towel Dispenser:** Dispensing area has hemmed edges to prevent injury and towel tearing. Adjustable back allows c-fold and single-fold towels to be dispensed.

**Dispenser:** Dispensing area has hemmed edges to prevent injury and towel tearing.

**Removable Waste Capacity:** Removable steel waste with heavy duty handle for easy servicing.

**Hinges:** Heavy duty, full length, stainless steel piano type hinge.

**Locks:** Pin tumbler commercial quality keyed like all other AJW cabinets.

**Collars:** Fabricated of #22 ga stainless steel finished to match cabinet body.

**Overall Size:** 17 1/4"W x 54"H x 6 1/4"D  
**445mm x 1378mm x 159mm**

**Wall Opening:** 15 3/4"W x 52 1/2"H x 6"D  
**400mm x 1339mm x 152mm**

**U605-S2:** 2" semi-recessed. 4" (102mm) wall opening

**U605-S4:** 4" semi-recessed. 2" (51mm) wall opening

**U605-SM:** Surface Mounted

**Towel Capacity:** 600 c-fold, 800 multifold or 1200 singlefold.

**Waste Capacity:** 10 gallons (1.34 cu ft)

**Options:**

**-VL1:** Reusable vinyl liner

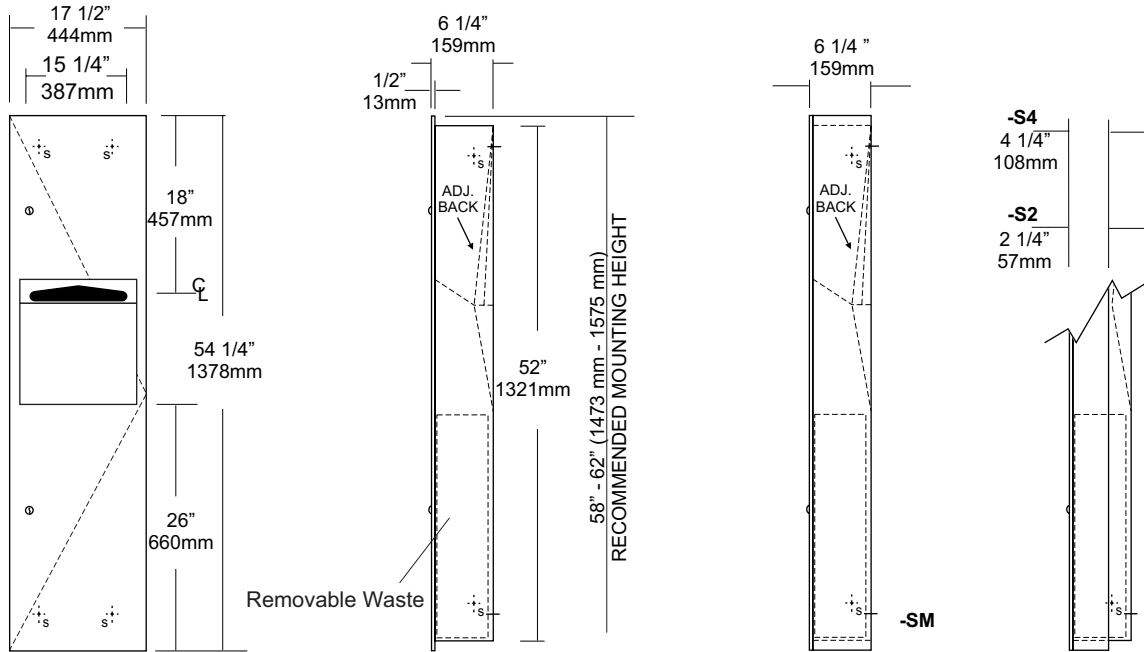
## INSTALLATION

Coordinate installation with architect and contractor to avoid interference with pipes, vent, etc.. in wall. Provide rough wall opening 15 3/4" W x 52 1/2"H x. Insert unit in opening making sure unit is plumb. If collars are required install on back of cabinet before placing in wall opening. Secure cabinet with proper fasteners per application. Follow paper loading instructions inside cabinet. Test dispenser for operation. Close cabinet door and secure after testing is complete.

## NOTES



MOUNTING	HANDING	TYPE	SIZE	OTHER
----------	---------	------	------	-------



### SPECIFICATIONS

- Body:** Fabricated of #22 ga stainless steel with a #4 satin finish.
- Flange:** Fabricated of #22 ga stainless steel with a #4 satin finish and 1/4" returns to wall, no miters or welds.
- Back:** Fabricated of stainless steel formed for rigidity with multiple welds to cabinet body.
- Door:** Fabricated of #22 ga stainless steel with a #4 satin finish and full length door stops.
- Towel Dispenser:** Dispensing area has hemmed edges to prevent injury and towel tearing. Adjustable back allows c-fold and single-fold towels to be dispensed.
- Dispenser:** Dispensing area has hemmed edges to prevent injury and towel tearing.
- Removable Waste Capacity:** Removable steel waste with heavy duty handle for easy servicing.
- Hinges:** Heavy duty, full length, stainless steel piano type hinge.
- Locks:** Pin tumbler commercial quality keyed like all other AJW cabinets.
- Collars:** Fabricated of #22 ga stainless steel finished to match cabinet body.
- Overall Size:** 17 1/2"W x 54 1/4"H x 6 1/4"D  
445mm x 1378mm x 159mm
- Wall Opening:** 15 3/4"W x 52 1/2"H x 6"D  
400mm x 1339mm x 152mm
- U6054-S2:** 2" semi-recessed. Collar, 4" (102mm) wall opening
- U6054-S4:** 4" semi-recessed. Collar, 2" (51mm) wall opening
- U6054-SM:** Surface Mounted
- Towel Capacity:** 600 c-fold, 800 multifold or 1200 singlefold.
- Waste Capacity:** 10 gallons (1.34 cu ft)
- Options:**
  - VL1:** Reusable vinyl liner

### INSTALLATION

Coordinate installation with contractor and architect to avoid interference with pipes vents etc. Provide a rough wall opening 15 3/4"W x 52 1/2"H. Wall opening depth will depend on style mounting. If a collar is required, slip over back of unit. Remove waste & install unit in opening. Make sure cabinet will sit flush in wall and secure with proper fasteners per application. Install waste back into cabinet and load paper towels.

When cleaning cabinet, use a soft cloth, a non-abrasive or chloric solutions.

### NOTES

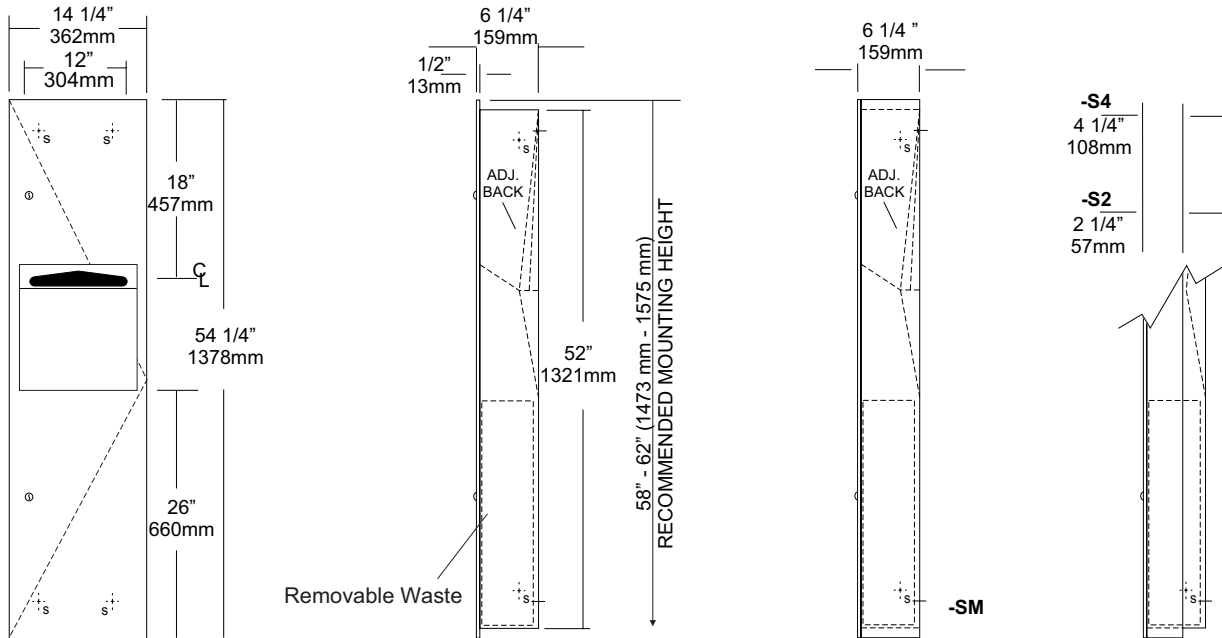
Formerly Model #: U6544

JOB #:

ITEM #:

QUANTITY:

MOUNTING	HANDING	TYPE	SIZE	OTHER
----------	---------	------	------	-------



### SPECIFICATIONS

- Body:** Fabricated of #22 ga stainless steel with a #4 satin finish.
- Flange:** Fabricated of #22 ga stainless steel with #4 satin finish and 1/4" returns to wall, no miters or welds.
- Cabinet Back:** Fabricated of stainless steel formed for rigidity with multiple welds to cabinet body.
- Uni-Door:** Fabricated of #18 ga stainless steel with #4 satin finish, one piece door with 1/2" returns.
- Towel Dispenser:** Dispensing area has hemmed edges to prevent injury and towel tearing.
- Removable Waste Capacity:** 6 gallon (.80 cu ft) removable waste, with heavy duty handle for easy removal. Push panel door covers waste
- Hinges: Heavy duty, full length, stainless steel piano type hinge.
- Lock:** Pin tumbler commercial quality keyed like all other AJW cabinets.
- Collars:** Fabricated of #22 ga #4 satin finish stainless steel finished to match cabinet body
- Overall Size:** 14 1/2"W x 54 1/4"H x 6 1/4"D  
368mm x 1378mm x 159mm
- Wall Opening:** 12 3/4"W x 52 1/2"H x 6"D  
324mm x 1334mm x 152mm
- U6084-S2:** semi-recessed with 2" collar 4" wall opening
- U6084-S4:** semi-recessed with 4" collar 2" wall opening
- U6084-SM:** Surface mounted with full skirt.
- Options:**
  - VL7: Reusable vinyl liner.
- Towel Capacity:** 600 c-fold or 800 multifold or 1200 singlefold
- Waste Capacity:** 6 gallons (.80 cu ft)

### INSTALLATION

Coordinate installation with contractor and architect to avoid interference with pipes vents etc. Provide a rough wall opening 12 3/4"W x 52 1/2"H. Wall opening depth will depend on style mounting. If a collar is required, slip over back of unit. Remove waste & install unit in opening. Make sure cabinet will sit flush in wall and secure with proper fasteners per application. Install waste back into cabinet and load paper towels. When cleaning cabinet, use a soft cloth, a non-abrasive or chloric solutions.

### NOTES

Formerly Model #: U6014A



# U6104EA

Uni-Door Hands Free Towel Dispenser

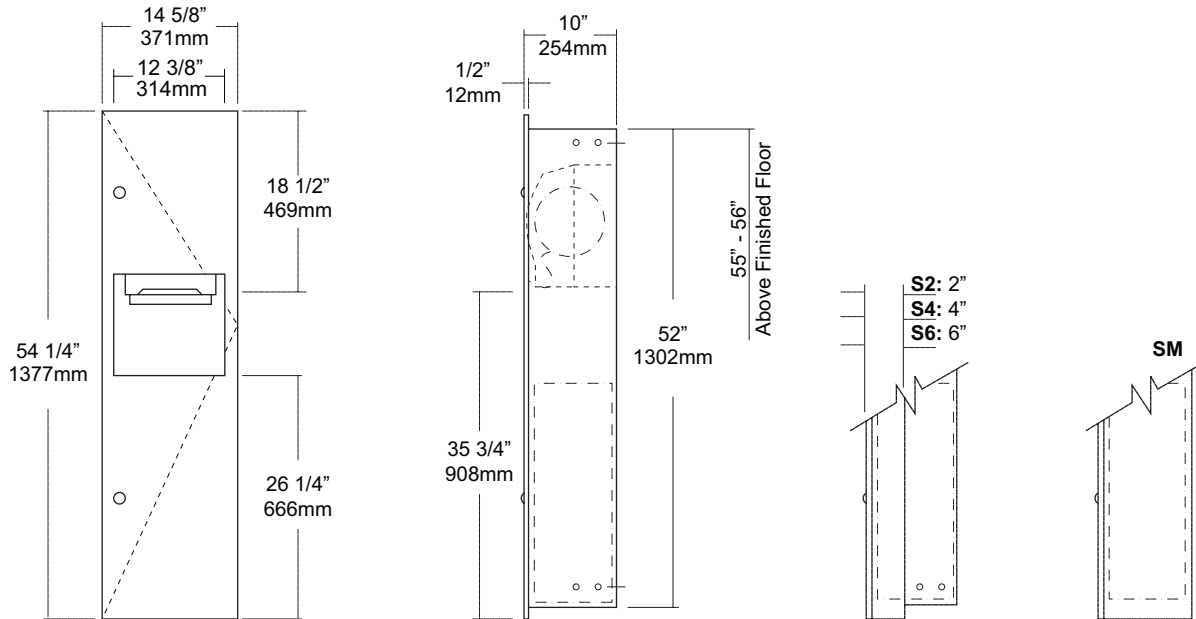
Revision 07/11

JOB #:

ITEM #:

QUANTITY:

MOUNTING	HANDING	TYPE	SIZE	OTHER



## SPECIFICATIONS

**Body:** Fabricated of #22 ga stainless steel with a #4 satin finish.

**Flange:** Fabricated of #22 ga stainless steel, satin finish with no miters or welds and 1/4" returns.

**Uni-Door:** Fabricated of #18 ga stainless steel, #4 satin finish with 1/2" returns and full length door stops.

**Back:** stainless steel formed for rigidity with multiple welds to cabinet body.

**Automatic Dispenser:** Operated by 4 "D" cell alkaline batteries (not included) that will dispense one standard roll 8" wide with a maximum 7 3/4" OD. Automatic sensor will dispense a re-measured amounts of paper each time and will not dispense paper again until sensor range is cleared and allowed to reset itself.

**Removable Waste:** Removable steel waste.

**Hinge:** Full length, stainless steel piano type hinge.

**Locks:** Commercial quality, pin tumbler keyed alike.

**Collars:** 304 #22 ga stainless steel matches cabinet finish.

**Overall Size:** 14 5/8"W x 54 1/4"H x 10"D  
371mm x 1378mm x 254mm

**Wall Opening:** 12 3/4"W x 52"H x 9 3/4"D  
324mm x 1334mm x 248mm

**Towel Capacity:** One standard roll up to 8" wide (non-perforated)

**Waste Capacity:** 11.25 gallons (1.5 cu ft)

**\*Recommended 600ft roll for best results.**

**U6104EA-S2:** Semi-recessed 2" collar with 6" wall opening

**U6104EA-S4:** Semi-recessed 4" collar with 6" wall opening

**U6104EA-S6:** Semi-recessed 6" collar with 4" wall opening

**U6104EA-SM:** Surface mounted

**Options:**

**-VL1:** Reusable vinyl liner

## INSTALLATION

Coordinate installation with contractor and architect to avoid interference with pipes vents etc. Provide a rough wall opening 12 3/4"W x 52 1/2"H. Wall opening depth will depend on style mounting. If a collar is required, slip over back of unit. Remove waste & install unit in opening. Make sure cabinet will sit flush in wall and secure with proper fasteners per application. Install waste back into cabinet, install batteries and load paper towels.

When cleaning cabinet, use a soft cloth, a non-abrasive or chloric solutions.

## NOTES



# U618

Folded Towel & Waste Combination Unit

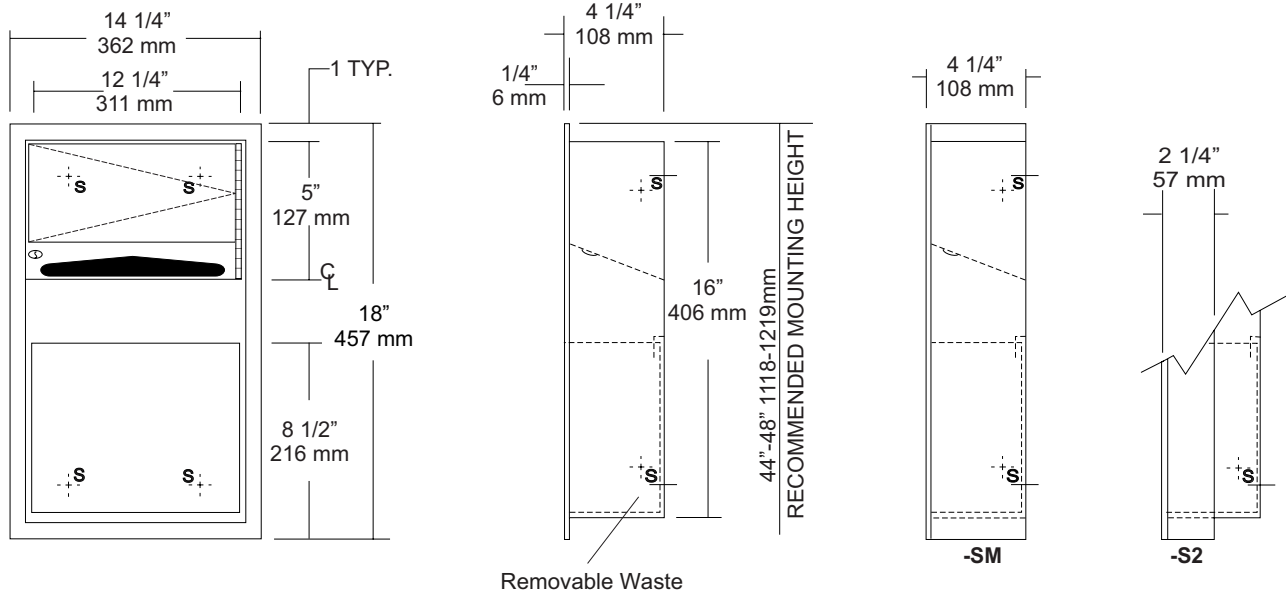
Revision 05/11

JOB #:

ITEM #:

QUANTITY:

MOUNTING	HANDING	TYPE	SIZE	OTHER



SPECIFICATIONS	INSTALLATION
----------------	--------------

**Body:** Fabricated of #22 ga stainless steel with a #4 satin finish.

**Flange:** Fabricated of #22 ga stainless steel with #4 satin finish and 1/4" returns to wall. (No miter or welds)

**Cabinet Back:** Fabricated of stainless steel formed for rigidity with multiple welds to cabinet body.

**Cabinet Door:** Fabricated of #22 ga stainless steel with #4 satin finish with full length door stop to prevent vandalism

**Towel Dispenser:** Dispensing area has hemmed edges to prevent injury and towel tearing.

**Removable Waste:** Removable waste with hemmed edges.

**Hinges:** Heavy duty, full length, stainless steel piano type hinge.

**Lock:** Pin tumbler commercial quality keyed like all other AJW cabinets.

**Collars:** Fabricated of #22 ga stainless steel finished to match cabinet body.

**Overall Size:** 14 1/4"W x 18"H x 4 1/4"D  
**362mm x 457mm x 108mm**

**Wall Opening:** 12 3/4"W x 16 1/2"H x 4"D  
**324mm x 419mm x 102mm**

**U618-S2:** semi-recessed. with 2" collar. (2" wall open., 51mm)

**U618-SM:** Surface mounted with full skirt.

**Towel Capacity:** 100 c-fold or 150 multifold

**Waste Capacity:** 1.5 gallons (.20 cu ft)

**Options:**

**-VL3:** Reusable vinyl liner

Coordinate installation with contractor and architect to avoid interference with pipes vents etc. Provide a rough wall opening 12 3/4"W x 16 1/2"H. Wall opening depth will depend on style mounting. Remove waste to install unit in opening. Slip collars on back of cabinet now if required. Make sure cabinet will sit flush in wall and secure with proper fasteners per application. Install waste back into cabinet and load paper towels.

When cleaning cabinet, use a soft cloth or towel and do not use abrasive or chloric cleaners.

**NOTES**



# U6184

Uni-Door Folded Towel & Waste  
Combination Unit

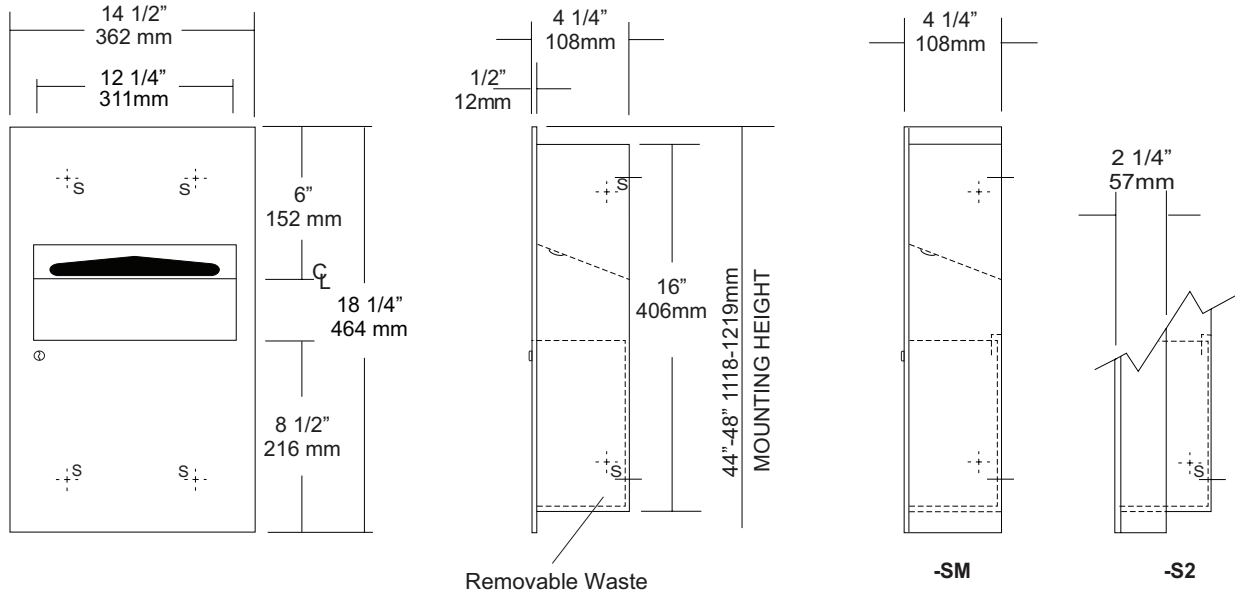
Revision 05/11

JOB #:

ITEM #:

QUANTITY:

MOUNTING	HANDING	TYPE	SIZE	OTHER



SPECIFICATIONS	INSTALLATION
----------------	--------------

**Body:** Fabricated of #22 ga stainless steel with a #4 satin finish.

**Flange:** Fabricated of #18 ga stainless steel with #4 satin finish and 1/4" returns to wall. (No miter or welds)

**Cabinet Back:** Fabricated of stainless steel formed for rigidity with multiple welds to cabinet body.

**Uni-Door:** Fabricated of #18 ga stainless steel with #4 satin finish with full length door stop to prevent vandalism

**Towel Dispenser:** Dispensing area has hemmed edges to prevent injury and towel tearing.

**Removable Waste:** Removable waste with hemmed edges.

**Hinges:** Heavy duty, full length, stainless steel piano type hinge.

**Lock:** Pin tumbler commercial quality keyed like all other AJW cabinets.

**Collars:** Fabricated of #22 ga #4 satin finish stainless steel finished to match cabinet body.

**Overall Size:** 14 1/2"W x 18 1/4"H x 4 1/4"D  
368mm x 463mm x 108mm

**Wall Opening:** 12 3/4"W x 16 1/2"H x 4"D  
324mm x 419mm x 102mm

**U6184-S2:** semi-recessed. with 2" collar. 2" wall opening (51mm)

**U6184-SM:** Surface mounted with full skirt.

**Towel Capacity:** 100 c-fold or 150 multifold

**Waste Capacity:** 1.5 gallons (.20 cu ft)

**Options:**

-VL3: Reusable vinyl liner

Coordinate installation with contractor and architect to avoid interference with pipes vents etc. Provide a rough wall opening 12 3/4"W x 16 1/2"H. Wall opening depth will depend on style mounting. Remove waste in install unit in opening. At this time if collars are required, install collars on units. Make sure cabinet will sit flush in wall and secure with proper fasteners per application. Install waste back into cabinet and load paper towels.

When cleaning cabinet, use a soft cloth, a non-abrasive or chloric solutions.

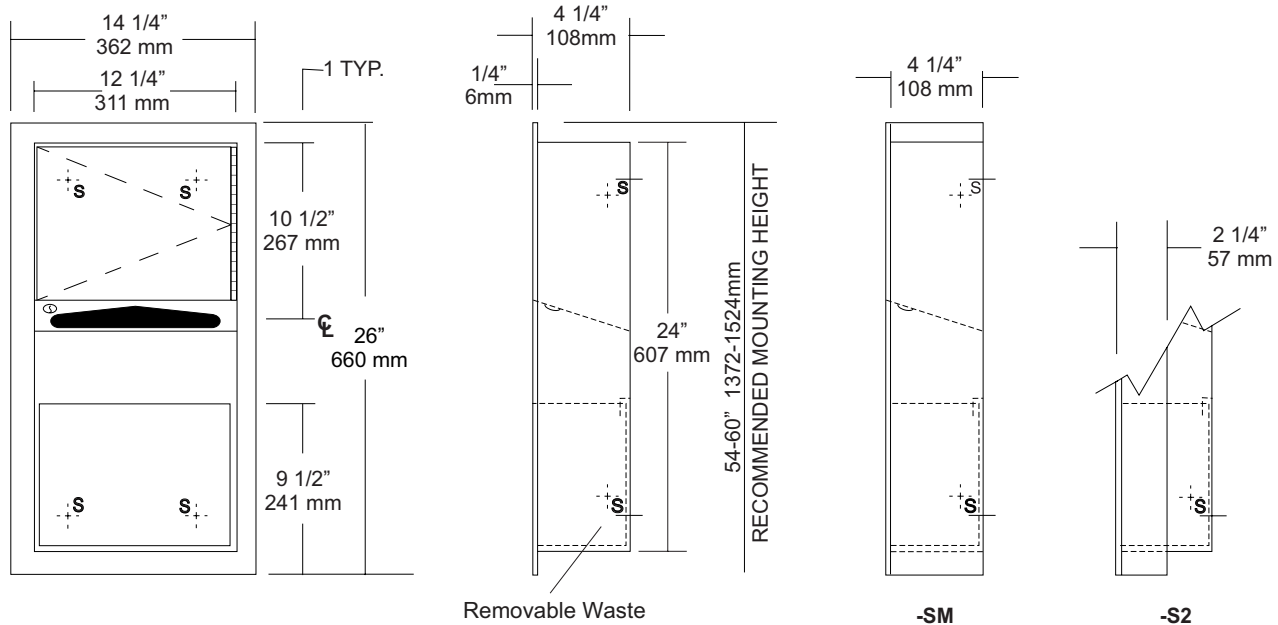
**NOTES**

JOB #:

ITEM #:

QUANTITY:

MOUNTING	HANDING	TYPE	SIZE	OTHER
----------	---------	------	------	-------



### SPECIFICATIONS

**Body:** Fabricated of #22 ga stainless steel with a #4 satin finish.

**Flange:** Fabricated of #22 ga stainless steel with #4 satin finish and 1/4" returns to wall. (No miters or welds)

**Cabinet Back:** Fabricated of stainless steel formed for rigidity with multiple welds to cabinet body.

**Cabinet Door:** Fabricated of #22 ga stainless steel with #4 satin finish with full length door stop to prevent vandalism

**Towel Dispenser:** Dispensing area has hemmed edges to prevent injury and towel tearing.

**Removable Waste:** Stainless steel removable waste hemmed edges and embossed tabs for liners.

**Hinges:** Heavy duty, full length, stainless steel piano type hinge.

**Lock:** Pin tumbler commercial quality keyed like all other AJW cabinets.

**Collars:** Fabricated of #22 ga #4 satin finish stainless steel finished to match cabinet body.

**Overall Size:** 14 1/4"W x 26"H x 4 1/4"D  
**362mm x 660mm x 108mm**

**Wall Opening:** 12 3/4"W x 24 1/2"H x 4"D  
**324mm x 622mm x 102mm**

**U626-S2:** semi-recessed with 2" collar, 2" wall open. 51mm)

**U626-SM:** Surface mounted with full skirt.

**Towel Capacity:** 350 c-fold or 475 multifold

**Waste Capacity:** 2 gallons (.27 cu ft)

**Options:**

- VL3: Reusable vinyl liner.
- TK: Twist lock in lieu of keyed lock.

### INSTALLATION

Coordinate installation with contractor and architect to avoid interference with pipes vents etc. Provide a rough wall opening 12 3/4"W x 24 1/2"H. Wall opening depth will depend on style mounting. Remove waste in install unit in opening. Make sure cabinet will sit flush in wall and secure with proper fasteners per application. Install waste back into cabinet and load paper towels.

When cleaning cabinet, use a soft cloth, a non-abrasive or chloric solutions.

### NOTES



# U6264

Uni-Door Folded Towel & Waste  
Combination Unit

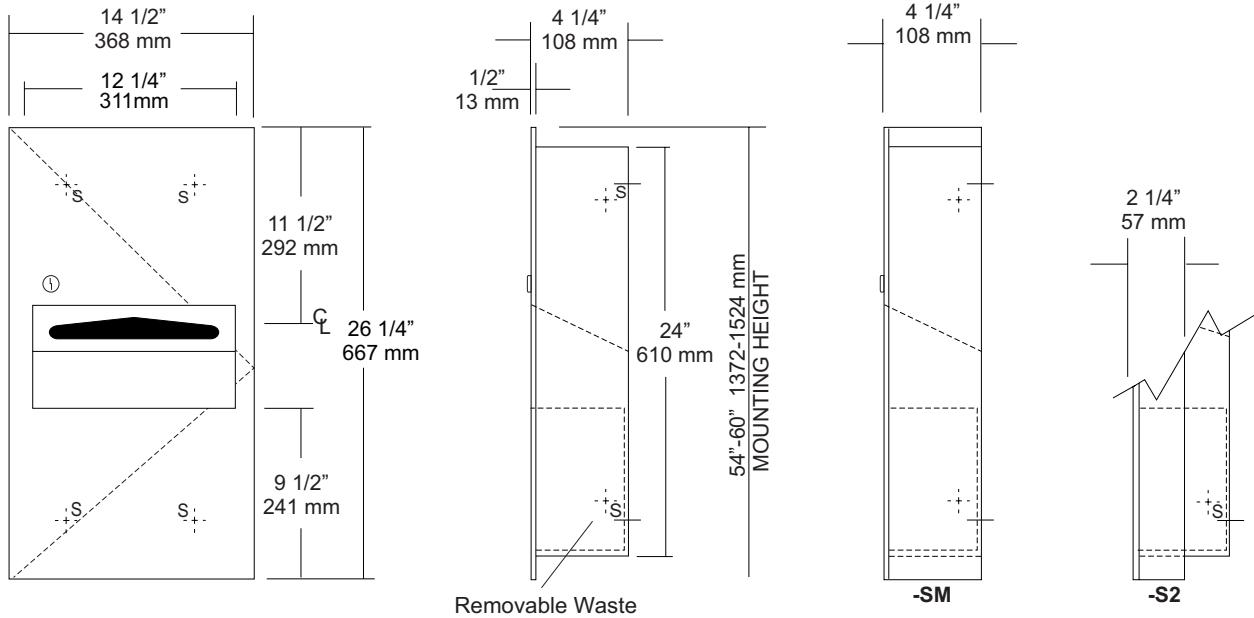
Revision 03/11

JOB #:

ITEM #:

QUANTITY:

MOUNTING	HANDING	TYPE	SIZE	OTHER



SPECIFICATIONS	INSTALLATION
----------------	--------------

**Body:** Fabricated of #22 ga stainless steel with a #4 satin finish.

**Flange:** Fabricated of #22 ga stainless steel with #4 satin finish and 1/2" returns to wall. (No miters or welds)

**Cabinet Back:** Fabricated of stainless steel formed for rigidity with multiple welds to cabinet body.

**Uni-Door:** Fabricated of #18 ga, one piece stainless steel Uni-Door with #4 satin finish, with 1/2" returns.

**Towel Dispenser:** Dispensing area has hemmed edges to prevent injury and towel tearing.

**Removable Waste:** Removable waste hemmed edges and handle for easy removal.

**Hinges:** Heavy duty, full length, stainless steel piano type hinge.

**Lock:** Pin tumbler commercial quality keyed like all other AJW cabinets.

**Collars:** Fabricated of #22 ga #4 satin finish stainless steel sized and finished to match cabinet body.

**Overall Size:** 14 1/2"W x 26 1/4"H x 4 1/4"D  
368mm x 667mm x 108mm

**Wall Opening:** 12 3/4"W x 24 1/2"H x 4"D  
324mm x 622mm x 102mm

**U6264-S2:** semi-recessed 2" collar, 2" wall open(51mm)

**U6264-SM:** Full surface mounted collar.

**Towel Capacity:** 350 c-fold or 475 multifold

**Waste Capacity:** 2 gallons (.27 cu ft)

**Options:**

- VL3: Reusable vinyl liner.

Coordinate installation with contractor and architect to avoid interference with pipes vents etc. Provide a rough wall opening 12 3/4"W x 24 1/2"H. Wall opening depth will depend on style mounting. Remove waste and install unit in opening. Make sure cabinet will sit flush in wall and secure with proper fasteners per application. Install waste back into cabinet and load paper towels.

When cleaning cabinet, use a soft cloth, a non-abrasive or chloric solutions.

**NOTES**



# U627

## Folded Towel & Waste Combination Unit

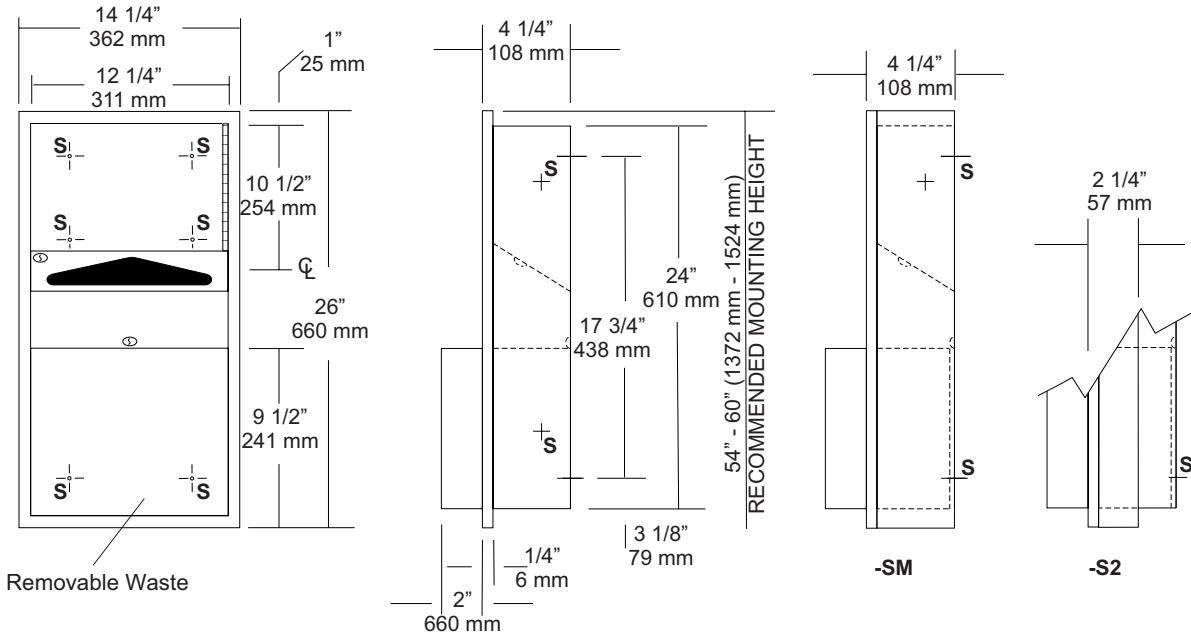
Revision 03/11

JOB #:

ITEM #:

QUANTITY:

MOUNTING	HANDING	TYPE	SIZE	OTHER



### SPECIFICATIONS

### INSTALLATION

**Body:** Fabricated of #22 ga stainless steel with a #4 satin finish.

**Flange:** Fabricated of #22 ga stainless steel with #4 satin finish and 1/4" returns to wall. (No miters or welds)

**Cabinet Back:** Fabricated of stainless steel formed for rigidity with multiple welds to cabinet body.

**Cabinet Door:** Fabricated of #22 ga stainless steel with #4 satin finish with full length door stop to prevent vandalism

**Towel Dispenser:** Dispensing area has hemmed edges to prevent injury and towel tearing.

**Removable Waste:** Fabricated of #22 ga stainless steel removable waste with radius and hemmed edges. Waste is secured by means of a pin tumbler lock with embossed tabs for liners.

**Hinges:** Heavy duty, full length, stainless steel piano type hinge.

**Lock:** Pin tumbler commercial quality keyed like all other AJW cabinets.

**Collars:** Fabricated of #22 ga #4 satin finish stainless steel finished to match cabinet body.

**Overall Size:** 14 1/4"W x 26"H x 6 1/4"D  
**362mm x 660mm x 159mm**

**Wall Opening:** 12 3/4"W x 24 1/2"H x 4"D  
**324mm x 622mm x 102mm**

**U627-S2:** Semi-recessed with 2" collar, 2" wall open. 51mm.

**U627-SM:** Surface mounted

**Towel Capacity:** 350 c-fold or 475 multifold

**Waste Capacity:** 2.65 gallons (.38 cu ft)

**Options:**  
**-VL3:** Reusable vinyl liner.

Coordinate installation with contractor and architect to avoid interference with pipes vents etc. Provide a rough wall opening 12 3/4"W x 24 1/2"H. Wall opening depth will depend on style mounting. Remove waste in install unit in opening. Make sure cabinet will sit flush in wall and secure with proper fasteners per application. Secure waste back into cabinet and load paper towels.

When cleaning cabinet, use a soft cloth, a non-abrasive or chloric solutions.

### NOTES

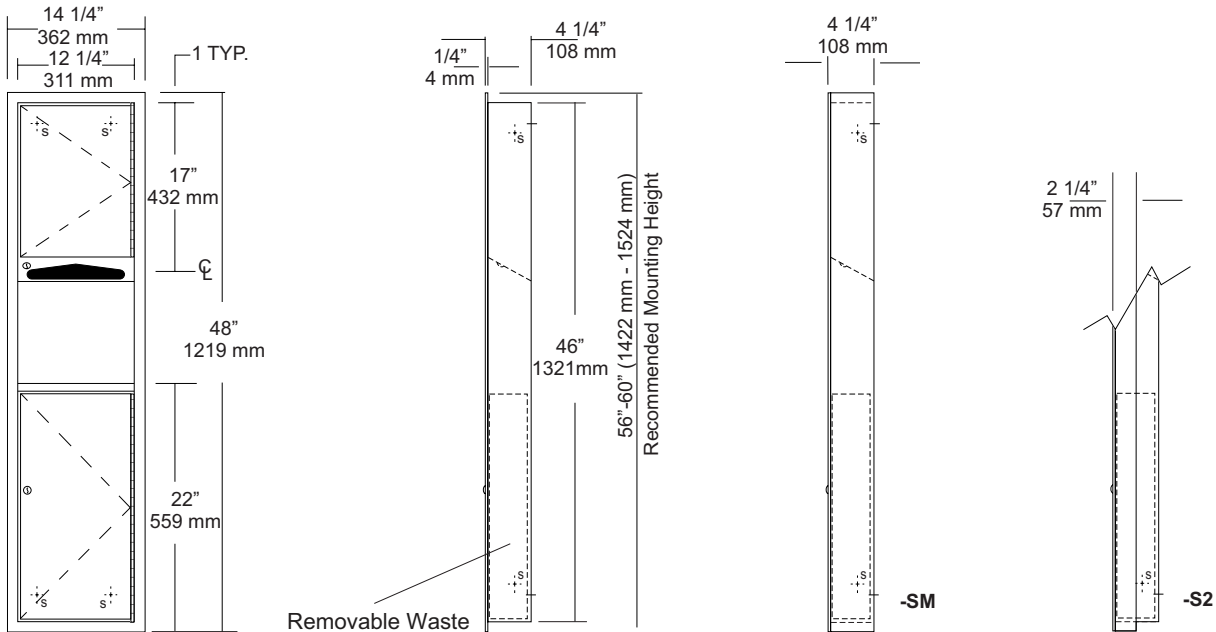


JOB #:

ITEM #:

QUANTITY:

MOUNTING	HANDING	TYPE	SIZE	OTHER
----------	---------	------	------	-------



### SPECIFICATIONS

**Body:** Fabricated of #22 ga stainless steel with a #4 satin finish.

**Flange:** Fabricated of #22 ga stainless steel with #4 satin finish and 1/4" returns to wall, no miters or welds.

**Cabinet Back:** Fabricated of stainless steel formed for rigidity with multiple welds to cabinet body.

**Cabinet Door:** Fabricated of #22 ga stainless steel with #4 satin finish with full length door stop to prevent vandalism

**Towel Dispenser:** Dispensing area has hemmed edges to prevent injury and towel tearing.

**Removable Waste:** Stainless steel removable waste, with heavy duty handle for easy removal.

**Hinges:** Heavy duty, full length, stainless steel piano type hinge.

**Lock:** Pin tumbler commercial quality keyed like all other AJW cabinets.

**Collars:** Fabricated of #22 ga #4 satin finish stainless steel finished to match cabinet body.

**Overall Size:** 14 1/4"W x 48"H x 4 1/4"D  
362mm x 1219mm x 108mm

**Wall Opening:** 12 3/4"W x 46 1/2"H x 4"D  
324mm x 1181mm x 102mm

**U640-S2:** semi-recessed with 2" collar. (2" wall opening 51mm)

**U640-SM:** Surface mounted with full skirt.

**Towel Capacity:** 600 c-fold or 800 multifold

**Waste Capacity:** 3 gallons (.40 cu ft)

### INSTALLATION

Coordinate installation with contractor and architect to avoid interference with pipes vents etc. Provide a rough wall opening 12 3/4"W x 46 1/2"H. Wall opening depth will depend on style mounting. If a collar is required, slip over back of unit. Remove waste & install unit in opening. Make sure cabinet will sit flush in wall and secure with proper fasteners per application. Install waste back into cabinet and load paper towels.

When cleaning cabinet, use a soft cloth, a non-abrasive or chloric solutions.

### NOTES



# U646AW

Roll Towel & Waste Combination Unit

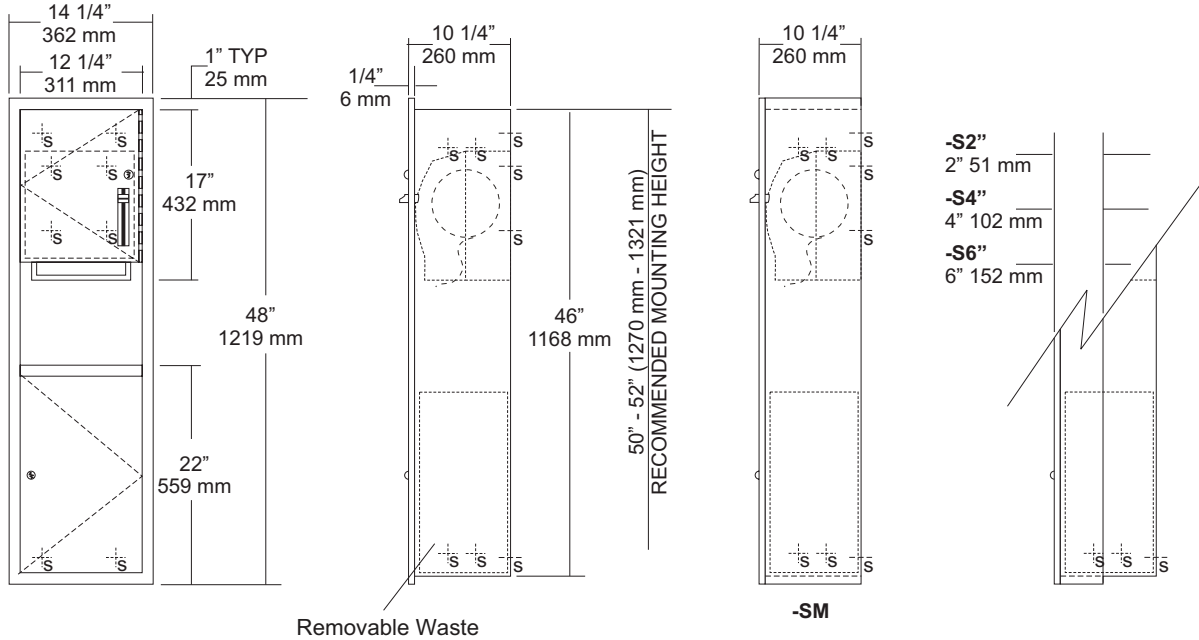
Revision 10/14

JOB #:

ITEM #:

QUANTITY:

MOUNTING	HANDING	TYPE	SIZE	OTHER



### SPECIFICATIONS

- Body:** Fabricated of #22 ga stainless steel with a #4 satin finish.
- Flange:** Fabricated of #22 ga stainless steel finished to match cabinet with 1/4" returns, (No miters or welds)
- Cabinet Back:** Fabricated of stainless steel formed for rigidity with multiple welds to cabinet body.
- Cabinet Doors:** Fabricated of #22 ga stainless steel with #4 satin finish, with full length door stop to reduce vandalism
- Towel Dispenser:** Roll towel mechanism is fabricated of #20 ga steel formed for rigidity, Unit will accommodate one 8" or 9" wide roll with a max OD of 7 7/8", Towel length dispensed has three adjustable settings, Lever is activated with one hand and less than 5 lbs of force.
- Waste:** Fabricated of #22 ga stainless steel with all leading edges hemmed. Unit is equipped with wire handle for easy handling.
- Hinge:** Full length, stainless steel piano type hinge.
- Locks:** Pin tumbler commercial quality lock,
- Collars:** Fabricated of #22 ga stainless steel, finished to match cabinet.
- Overall Size:** 14 1/4"W x 48"H x 10 1/4"D  
362mm x 1219mm 260mm
- Wall Opening:** 12 3/4"W x 46 1/2"H x 10"D  
324mm x 1181mm x 254mm
- Waste Capacity:** 8.5 gallons (1.16 cu ft)
- Towel Capacity:** One standard size roll of 8" or 9" wide. (Use only non-perforated towels). One stub roll up to 2 3/4" OD
- \*Recommended 600ft roll for best results.**
- Options:**
- VL1:** Reusable vinyl liner

### INSTALLATION

Coordinate installation with architect and contractor to avoid interference with pipes, vents, etc. Provide a rough wall opening 12 3/4"W x 46 1/2"H, Required wall depth, will depend if full or semi recessing is required, If collar is required, slide collar over the back before installing into wall, Remove waste from cabinet and mount unit plumb and true in opening with proper fasteners per application. Secure waste in cabinet and load paper towels, Controls and or mechanisms should operate with one hand and force required to activate controls shall be no greater than 5 lbs, (4.27.4)

U646AW-S2: 2" Semi-Rec, collar, 8" wall opening, 203 mm  
 U646AW-S4: 4" Semi-Rec, collar, 6" wall opening, 152 mm  
 U646AW-S6: 6" Semi-Rec, collar, 4" wall opening, 102 mm  
 U646AW-SM: Full surface mounted collar

When cleaning cabinet, use a soft cloth, a non-abrasive or chloric solutions.

### NOTES

Formerly Model #: U646/199AW



# U646EA

Roll Towel & Waste Combination Unit

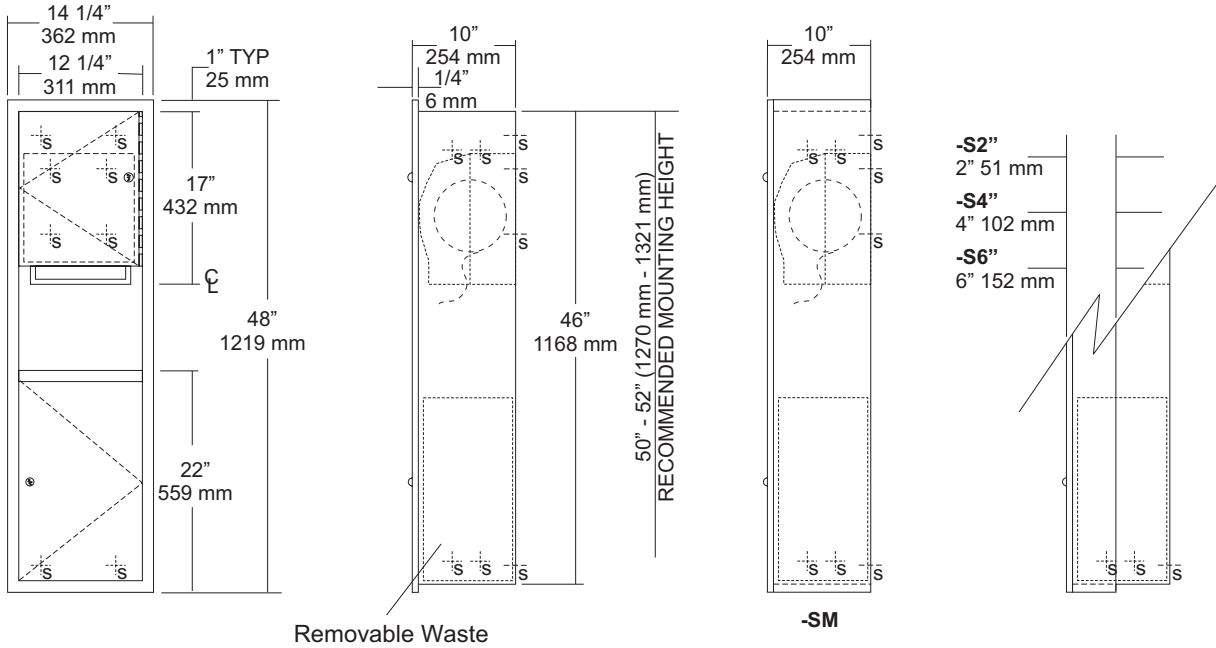
Revision 10/14

JOB #:

ITEM #:

QUANTITY:

MOUNTING	HANDING	TYPE	SIZE	OTHER
----------	---------	------	------	-------



### SPECIFICATIONS

- Body:** Fabricated of #22 ga stainless steel with a #4 satin finish.
- Flange:** Fabricated of #22 ga stainless steel finished to match cabinet with 1/4" returns, (No miters or welds)
- Cabinet Back:** Fabricated of stainless steel formed for rigidity with multiple welds to cabinet body,
- Cabinet Doors:** Fabricated of #22 ga stainless steel with #4 satin finish, with full length door stop to reduce vandalism
- Automatic Dispenser:** Operated by 4 "D" cell alkaline batteries (not included) that will dispense one standard roll 10" wide with a maximum 7 3/4" OD. Automatic sensor will dispense a re-measured amounts of paper each time and will not dispense paper again until sensor range is cleared and allowed to reset itself.
- Waste:** Fabricated of #22 ga stainless steel with all leading edges hemmed, Unit is equipped with wire handle for easy handling,
- Hinge:** Full length, stainless steel piano type hinge,
- Locks:** Pin tumbler commercial quality lock, keyed like all other AJW cabinets.
- Collars:** Fabricated of #22 ga stainless steel, finished to match cabinet. (semi-recessed and surface mounted)
- Overall Size:** 14 1/4"W x 48"H x 10 1/4"D  
362mm x 1219mm x 260mm
- Wall Opening:** 12 3/4"Wx 46 1/2"H x 10"D  
324mm x 1181mm x 254mm
- Waste Capacity:** 8.5 gallons (1.16 cu ft)
- Towel Capacity:** One standard size roll of 8" or 9" wide. (Use only non-perforated towels). One stub roll up to 2 3/4" OD
- \*Recommended 600ft roll for best results.**
- Options:**
- VL1: Reusable vinyl liner

### INSTALLATION

Coordinate installation with architect and contractor to avoid interference with pipes, vents, etc. Provide a rough wall opening 12 3/4"W x 46 1/2"H, Required wall depth, will depend if full or semi recessing is required, If collar is required, slide collar over the back before installing into wall, Remove waste from cabinet and mount unit plumb and true in opening with proper fasteners per application. Secure waste in cabinet and load paper towels, Controls and or mechanisms should operate with one hand and force required to activate controls shall be no greater than 5 lbs, (4.27.4)

U646EA-S2: 2" Semi-Rec, collar, 8" wall opening, 203 mm  
 U646EA-S4: 4" Semi-Rec, collar, 6" wall opening, 152 mm  
 U646EA-S6: 6" Semi-Rec, collar, 4" wall opening, 102 mm  
 U646EA-SM: Full surface mounted collar

When cleaning cabinet, use a soft cloth, a non-abrasive or chloric solutions.

### NOTES

Formerly Model #: U646/199EA



# U648

## Folded Towel & Waste Combination Unit

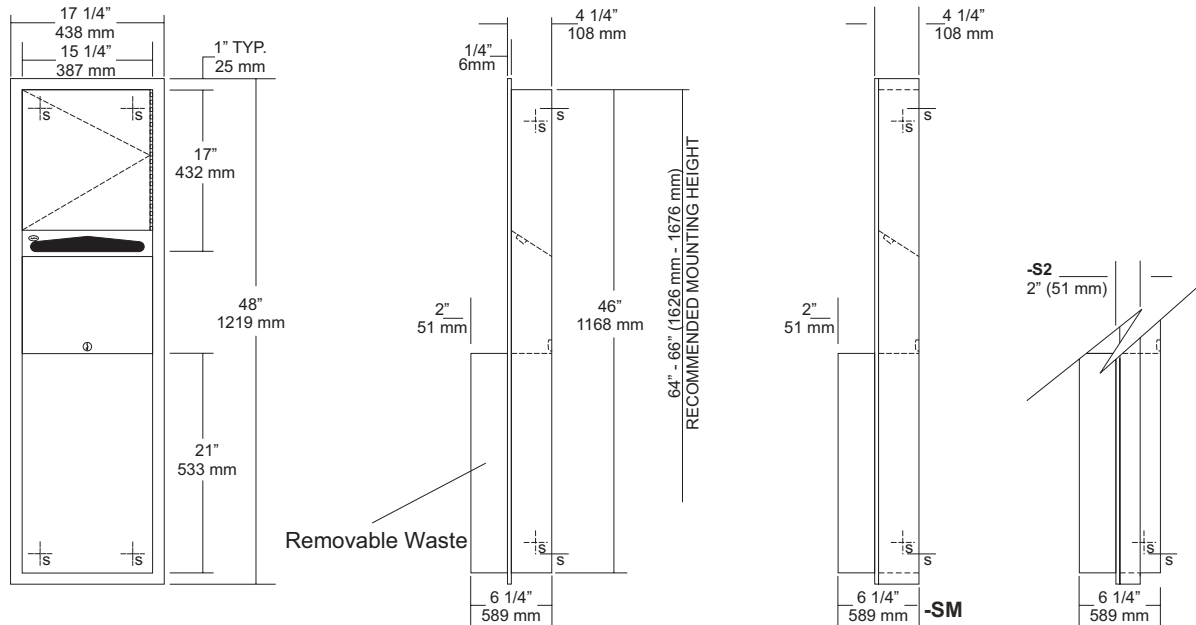
Revision 03/11

JOB #:

ITEM #:

QUANTITY:

MOUNTING	HANDING	TYPE	SIZE	OTHER



### SPECIFICATIONS

- Body:** Fabricated of #22 ga stainless steel with a #4 satin finish.
- Flange:** Fabricated of #22 ga stainless steel with a #4 satin finish and 1/4" returns to wall, no miters or welds.
- Back:** Fabricated of stainless steel formed for rigidity with multiple welds to cabinet body.
- Dispenser:** Dispensing area has hemmed edges to prevent injury and towel tearing.
- Removable Extended Waste:** Fabricated of #22 ga. Stainless steel with radius edges and hemmed for safety. Receptacle is held in place by pin tumbler lock.
- Hinges:** Full length, stainless steel piano type hinge.
- Locks:** Pin tumbler commercial quality.
- Collars:** Fabricated of #22 ga stainless steel finished to match cabinet body.
- Overall Size:** 17 1/4"W x 48"H x 6 1/4"D  
438mm x 1219mm x 159mm
- Wall Opening:** 15 3/4"W x 46 1/2"H x 4"D  
400mm x 1181mm x 102mm
- U648-S2:** 2" semi-recessed. Collar, 2" (51mm) wall opening
- U648-SM:** Surface mounted
- Towel Capacity:** 600 c-fold or 800 multifold
- Waste Capacity:** 6.25 gallons (.85 cu ft)

### INSTALLATION

Coordinate installation with contractor and architect. Provide a rough wall opening 15 3/4"W x 46 1/2"H. Wall opening depth will depend on style mounting. If a semi-recessed mounting is required slip collar over back of unit before placing cabinet in wall opening. Remove waste and place unit in wall opening. Make sure unit is level in wall opening before securing. Secure cabinet with proper fasteners per each application. Place waste back into cabinet, fill with desired towels and secure door.

When cleaning cabinet, use a soft cloth, a non-abrasive or chloric solutions.

### NOTES



# U650

## Folded Towel & Waste Combination Unit

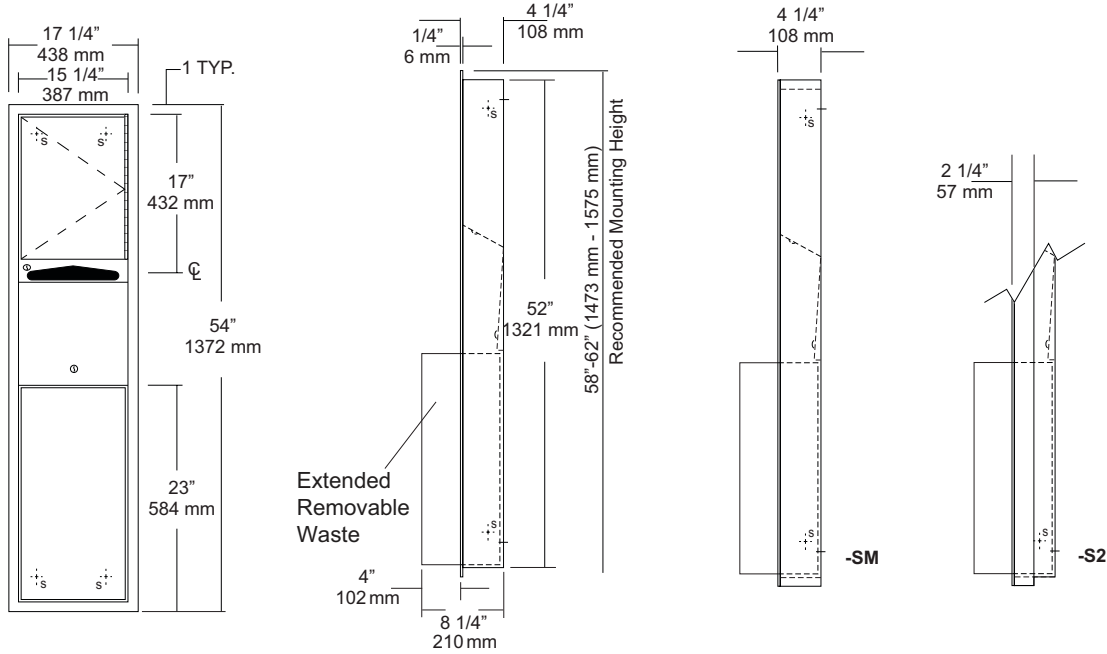
Revision 10/14

JOB #:

ITEM #:

QUANTITY:

MOUNTING	HANDING	TYPE	SIZE	OTHER



### SPECIFICATIONS

**Body:** Fabricated of #22 ga stainless steel with a #4 satin finish.

**Flange:** Fabricated of #22 ga stainless steel finished to match cabinet with 1/4" returns. (No miters or welds)

**Cabinet Back:** Fabricated of stainless steel formed for rigidity with multiple welds to cabinet body.

**Cabinet Door:** Fabricated of #22 ga stainless steel with #4 satin finish.

**Towel Dispenser:** Fabricated of #22 ga stainless steel with hemmed edges to prevent injury and towel tearing.

**Removable Waste:** Fabricated of #22 ga stainless steel #4 satin finish with all leading edges to have a radius. Unit is secured in place by a bottom bracket guide and top lock.

**Hinge:** Full length, heavy duty, stainless steel piano type hinge.

**Locks:** Pin tumbler commercial quality, keyed like all other AJW cabinets.

**Collars:** Fabricated of #22 ga stainless steel, finished to match cabinet. (Used when full recessing cannot be accomplished)

**Overall Size:** 17 1/4"W x 54"H x 8 1/4"D  
**438mm x 1372mm x 210mm**

**Wall Opening:** 15 3/4"W x 52 1/2"H x 4"D  
**400mm x 1334mm x 102mm**

**U650-S2:** semi-recessed. with 2" collar, 2" wall opening 51mm

**U650-SM:** Full surface mounted collar.

**Towel Capacity:** 600 c-fold or 800 multifold

**Waste Capacity:** 12 gallons (1.6 cu ft)

**Options :**

**-VL1:** Vinyl Liner

### INSTALLATION

Coordinate installation with architect and contractor to avoid interference with pipes, vents, etc. Provide a rough wall opening 15 3/4"W x 52 1/2"H. See chart for required wall depth. If collar is required, slide collar over the back before installing into wall. Remove waste from cabinet and mount unit plumb and true in opening with proper fasteners per application. Secure waste in cabinet and load paper towels.

When cleaning cabinet use a non abrasive non-chloric solution and wiped off with the grain of the cabinet.

### NOTES



# U651

## Folded Towel & Waste Combination Unit

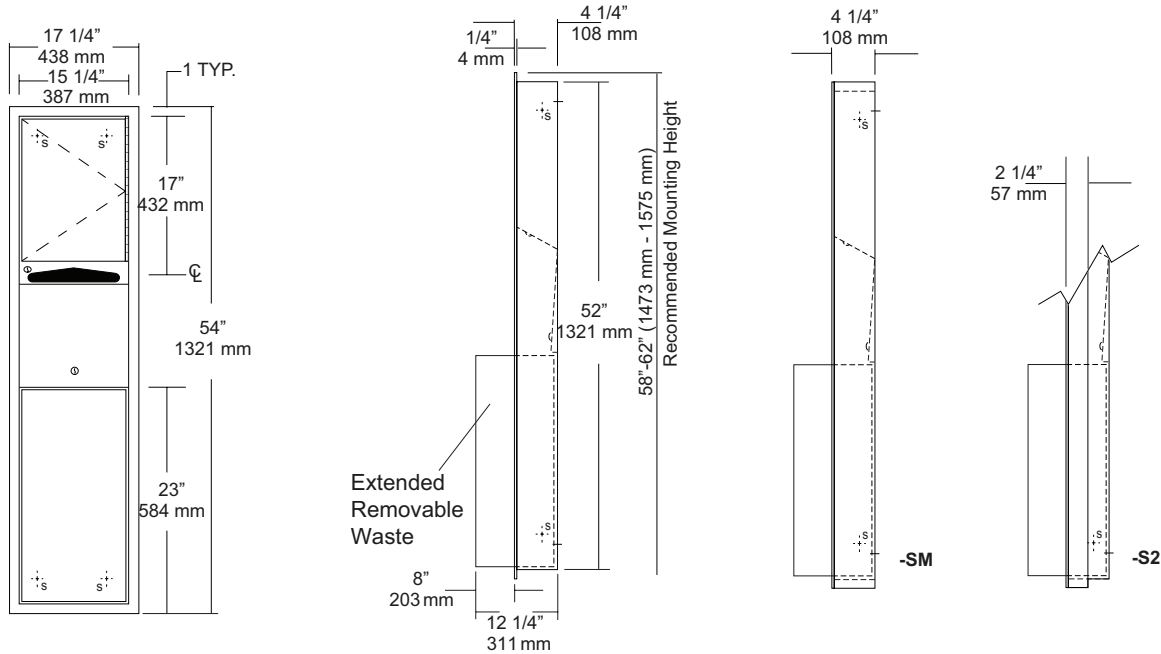
Revision 08/11

JOB #:

ITEM #:

QUANTITY:

MOUNTING	HANDING	TYPE	SIZE	OTHER



### SPECIFICATIONS

**Body:** Fabricated of #22 ga stainless steel with a #4 satin finish.

**Flange:** Fabricated of #22 ga stainless steel finished to match cabinet with 1/4" returns. (No miters or welds)

**Cabinet Back:** Fabricated of stainless steel formed for rigidity with multiple welds to cabinet body.

**Cabinet Door:** Fabricated of #22 ga stainless steel with #4 satin finish.

**Towel Dispenser:** Fabricated of #22 ga stainless steel with hemmed edges to prevent injury and towel tearing.

**Removable Waste:** Fabricated of #22 ga stainless steel #4 satin finish with all leading edges to have a radius. Unit is secured in place by a bottom bracket guide and top lock.

**Hinge:** Full length, heavy duty, stainless steel piano type hinge.

**Locks:** Pin tumbler commercial quality, keyed like all other AJW cabinets.

**Collars:** Fabricated of #22 ga stainless steel, finished to match cabinet. (Used when full recessing cannot be accomplished)

**Overall Size:** 17 1/4"W x 54"H x 12 1/4"D (wall depth req)  
**438mm x 1372mm x 108mm**

**Wall Opening:** 15 3/4"W x 52 1/2"H x 4"D  
**400mm x 1334mm**

**U651-S2:** semi-recessed. with 2" collar, 2" wall opening 50mm

**U651-SM:** Surface mounted

**Towel Capacity:** 600 c-fold or 800 multifold

**Waste Capacity:** 18 gallons (3.34 cu ft)

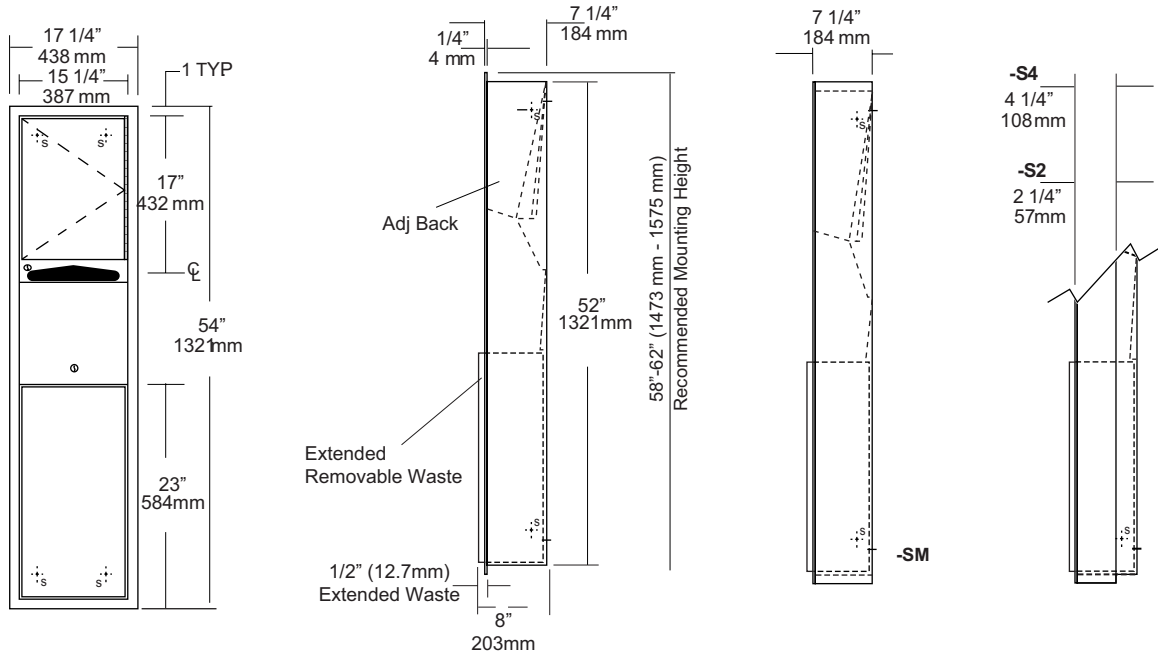
### INSTALLATION

Coordinate installation with architect and contractor to avoid interference with pipes, vents, etc. Provide a rough wall opening 15 3/4"W x 52 1/2"H. See chart for required wall depth. If collar is required, slide collar over the back before installing into wall. Remove waste from cabinet and mount unit plumb and true in opening with proper fasteners per application. Secure waste in cabinet and load paper towels.

When cleaning cabinet use a non abrasive non-chloric solution and wiped off with the grain of the cabinet.

### NOTES

MOUNTING	HANDING	TYPE	SIZE	OTHER
----------	---------	------	------	-------



### SPECIFICATIONS

- Body:** Fabricated of #22 ga stainless steel with a #4 satin finish.
- Flange:** Fabricated of #22 ga stainless steel finished to match cabinet with 1/4" returns. (No miters or welds)
- Cabinet Back:** Fabricated of stainless steel formed for rigidity with multiple welds to cabinet body.
- Cabinet Door:** Fabricated of #22 ga stainless steel with #4 satin finish.
- Towel Dispenser:** Dispensing area has hemmed edges to prevent injury and towel tearing. Adjustable back allows c-fold and single-fold towels to be dispensed.
- Removable Waste:** #22 ga stainless steel #4 satin finish with all leading edges to have a radius. Unit is secured in place by a bottom bracket guide and top lock.
- Hinge:** Full length, heavy duty, stainless steel piano type hinge.
- Locks:** Pin tumbler commercial quality, keyed like all other AJW cabinets.
- Collars:** Fabricated of #22 ga stainless steel, finished to match cabinet. (Used when full recessing cannot be accomplished)
- Overall Size:** 17 1/4"W x 54"H x 8"D (wall depth req)  
438mm x 1372mm x 203mm
- Wall Opening:** 15 3/4"W x 52 1/2"H x 7 1/2"D  
400mm x 1334mm
- U653-S2:** semi-recessed. with 2" collar, 5 1/2" wall opening 139mm
- U653-S4:** semi-recessed. with 4" collar, 3 1/2" wall opening 88mm
- U653-SM:** Full surface mounted collar.
- Towel Capacity:** 600 c-fold, 800 multifold, 1200 singlefold
- Waste Capacity:** 12 gallons (1.6 cu ft)
- Options:**
  - VL1: Reusable vinyl liner

### INSTALLATION

Coordinate installation with architect and contractor to avoid interference with pipes, vents, etc. Provide a rough wall opening 15 3/4"W x 52 1/2"H. See chart for required wall depth. If collar is required, slide collar over the back before installing into wall. Remove waste from cabinet and mount unit plumb and true in opening with proper fasteners per application. Secure waste in cabinet and load paper towels.

When cleaning cabinet use a non abrasive non-chloric solution and wiped off with the grain of the cabinet.

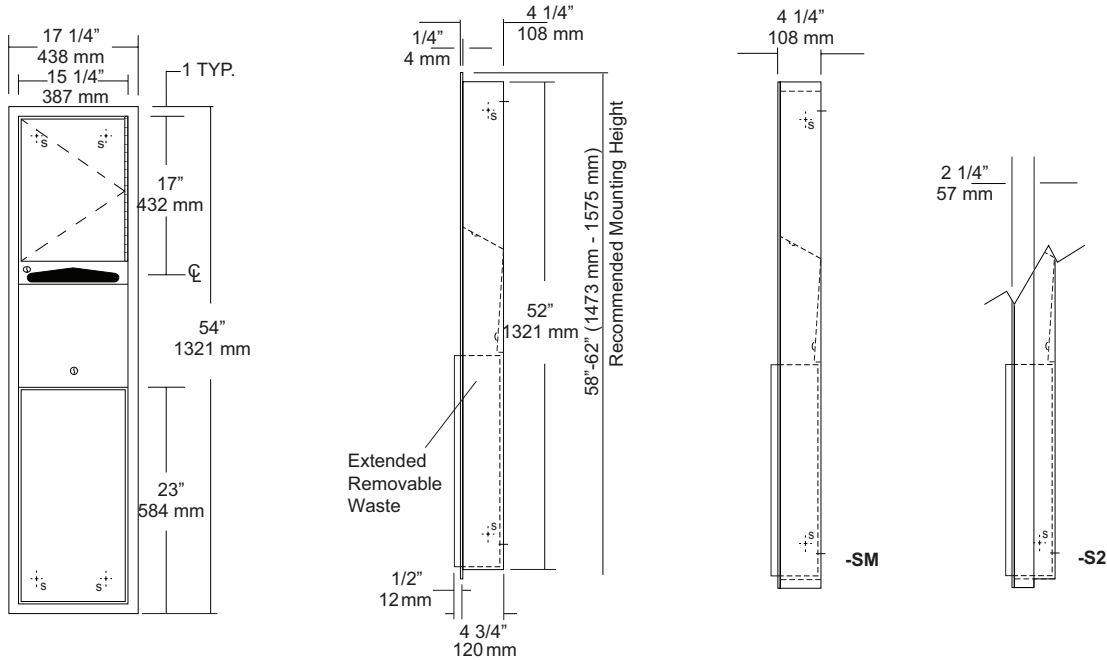
### NOTES

JOB #:

ITEM #:

QUANTITY:

MOUNTING	HANDING	TYPE	SIZE	OTHER
----------	---------	------	------	-------



### SPECIFICATIONS

- Body:** Fabricated of #22 ga stainless steel with a #4 satin finish.
- Flange:** Fabricated of #22 ga stainless steel finished to match cabinet with 1/4" returns, (No miters or welds)
- Cabinet Back:** Fabricated of stainless steel formed for rigidity with multiple welds to cabinet body,
- Cabinet Doors:** Fabricated of #22 ga stainless steel with #4 satin finish, with full length door stop to reduce vandalism
- Waste Capacity:** Fabricated of #22 ga stainless steel with all leading edges hemmed, Unit is equipped with wire handle for easy handling,
- Hinge:** Full length, stainless steel piano type hinge,
- Locks:** Pin tumbler commercial quality lock,
- Collars:** Fabricated of #22 ga stainless steel, finished to match cabinet. (semi-recessed and surface mounted)
- Overall Size:** 17 1/4"W x 54"H x 4 3/4"D  
438mm x 1372mm x 108mm
- Wall Opening:** 15 3/4"W x 52 1/2"H x 4"D  
400mm x 1334mm
- U657-S2:** 2" semi-recessed, collar, 2" wall opening, 203 mm
- U657-SM:** Full surface mounted collar
- Waste Capacity:** 6 gallons (.8 cu ft)
- Towel Capacity:** 600 c-fold or 800 multi-fold

### INSTALLATION

Coordinate installation with architect and contractor to avoid interference with pipes, vents, etc. Provide a rough wall opening 15 3/4"W x 52 1/2"H. See chart for required wall depth. If collar is required, slide collar over the back before installing into wall. Remove waste from cabinet and mount unit plumb and true in opening with proper fasteners per application. Secure waste in cabinet and load paper towels.

When cleaning cabinet use a non abrasive non-chloric solution and wiped off with the grain of the cabinet.

### NOTES

Formerly Model #: U650HC





# U659AW

## Roll Towel & Waste Combination Unit

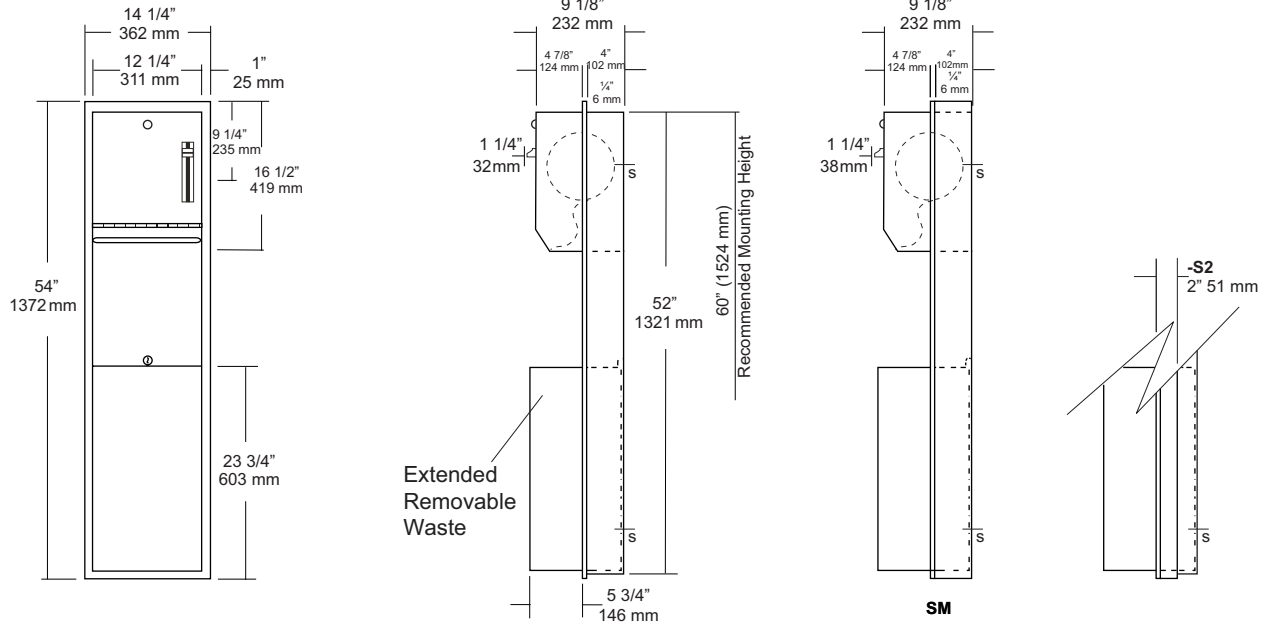
Revision 10/14

JOB #:

ITEM #:

QUANTITY:

MOUNTING	HANDING	TYPE	SIZE	OTHER
----------	---------	------	------	-------



### SPECIFICATIONS

- Body:** Fabricated of #22 ga stainless steel with a #4 satin finish.
- Flange:** Fabricated of #22 ga stainless steel finished to match cabinet with 1/4" returns. (No miters or welds)
- Cabinet Back:** Fabricated of stainless steel formed for rigidity with multiple welds to cabinet body.
- Cabinet Door:** Fabricated of #18 ga stainless steel with #4 satin finish, with full length door stop to reduce vandalism
- Towel Dispenser:** Roll towel mechanism is fabricated of #20 ga steel formed for rigidity. Unit will accommodate one 8" or 9" wide roll with a max O.D. of 7 7/8". Towel length dispensed has three adjustable settings. Lever is activated with one hand and less than 5 lbs of force to activate.
- Removable Extended Waste:** Fabricated of #22 ga stainless steel #4 satin finish with all leading edges to have a radius. Unit is secured in place by a bottom bracket guide and top lock. Embossed tabs allow liners to be held in place.
- Hinge:** Full length, heavy duty, stainless steel piano type hinge.
- Collars:** Fabricated of #22 ga stainless steel, finished to match cabinet. (semi-recessed and surface mounted)
- Overall Size:** 14 1/4"W x 54"H x 10"D  
362mm x 1372mm x 254mm
- Wall Opening:** 12 3/4"W x 52 1/2"H x 4"D  
324mm x 1334mm x 102mm
- U659-S2:** 2" semi-recessed. collar, 2" wall opening, 51mm
- U659-SM:** Full surface mounted collar.
- Towel Capacity:** One standard size roll of 8" or 9" wide. (Use only non-perforated towels). One stub roll up to 2 3/4" OD
- Waste Capacity:** 12 gallons (1.60 cu ft)
- \*Recommend 600ft roll for best results.**
- Options:**
- VL1: Reusable vinyl liner

### INSTALLATION

Coordinate installation with architect and contractor to avoid interference with pipes, vents, etc. Provide a rough wall opening 12 3/4"W x 52 1/2"H. Required wall depth, will depend if full or semi-recessing is required. If collar is required, slide collar over the back before installing into wall. Remove waste from cabinet and mount unit plumb and true in opening with proper fasteners per application. Secure waste in cabinet and load paper towels.

Controls and or mechanisms should operate with one hand and force required to activate controls shall be no greater than 5 lbs. (4.27.4)

### NOTES



# U659CP

## Center-Pull Towel & Waste Combination Unit

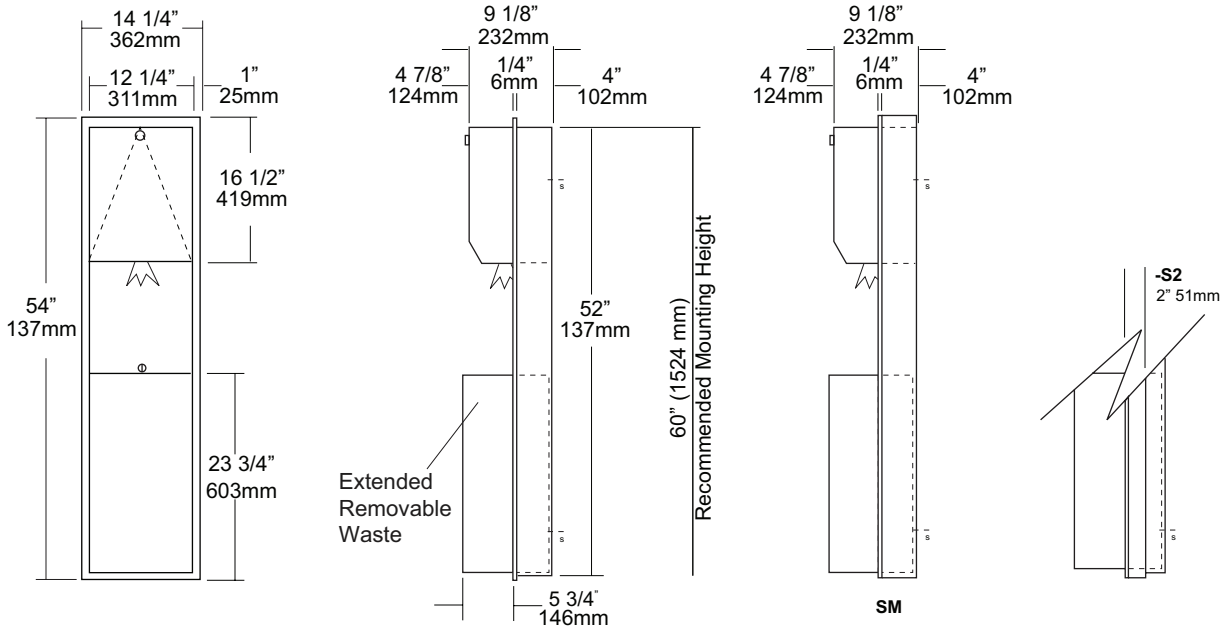
Revision 05/11

JOB #:

ITEM #:

QUANTITY:

MOUNTING	HANDING	TYPE	SIZE	OTHER



SPECIFICATIONS	INSTALLATION
----------------	--------------

**Body:** Fabricated of #22 ga stainless steel with a #4 satin finish.

**Flange:** Fabricated of #22 ga stainless steel finished to match cabinet with 1/4" returns. (No miters or welds)

**Cabinet Back:** Fabricated of stainless steel formed for rigidity.

**Cabinet Door:** Fabricated of #18 ga stainless steel with #4 satin finish, with full length door stop to reduce vandalism

**Towel Mechanism:** Towels are dispensed from bottom without any serrated edges that may cause injury. An adjustable site controls the opening where the paper will be dispensed.

**Removable Extended Waste:** Fabricated of #22 ga stainless steel #4 satin finish with all leading edges to have a radius.

**Hinge:** Full length, heavy duty, stainless steel piano type hinge.

**Collars:** Fabricated of #22 ga stainless steel, #4 satin

**Overall Size:** 14 1/4"W x 54"H x 10"D  
**362mm x 1372mm x 260mm**

**Wall Opening:** 12 3/4"W x 52 1/2"H x 4"D  
**324mm x 1334mm x 232mm**

**Capacity:** 12 Gallons (1.60 cu ft)

**U659CP-S2:** 2" semi-recessed collar, 2" wall opening, 51 mm

**U659CP-SM:** Full surface mounted collar.

**Waste Capacity:** 12 gallons (1.6 cu ft)

**Towel Capacity:** One standard center-pull roll.

**Options:**  
 -VL1: Reusable vinyl liner

Coordinate installation with architect and contractor to avoid interference with pipes, vents, etc. Provide a rough wall opening 12 3/4"W x 52 1/2"H. Required wall depth, will depend if full or semi-recessing is required. If collar is required, slide collar over the back before installing into wall. Remove waste from cabinet and mount unit plumb and true in opening with proper fasteners per application. Secure waste in cabinet and load paper towels.

Controls and or mechanisms should operate with one hand and force required to activate controls shall be no greater than 5 lbs. (4.27.4)

**NOTES**

Formerly Model #: U663



# U659EA

Roll Towel & Waste Combination Unit

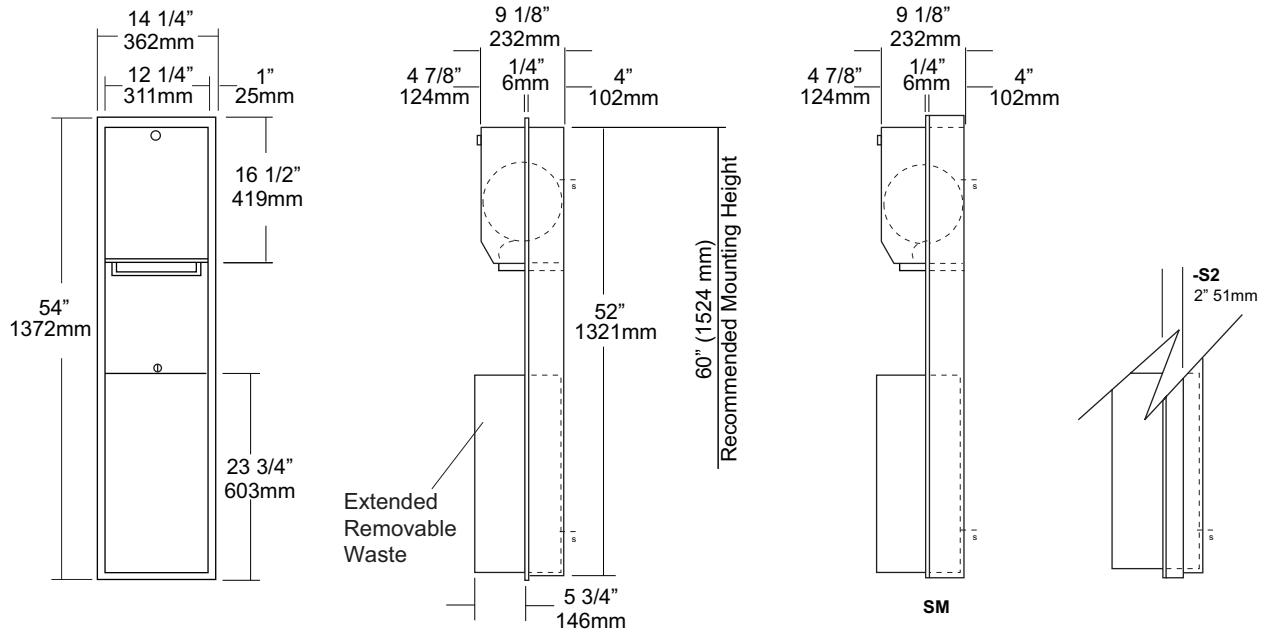
Revision 10/14

JOB #:

ITEM #:

QUANTITY:

MOUNTING	HANDING	TYPE	SIZE	OTHER
----------	---------	------	------	-------



## SPECIFICATIONS

**Body:** Fabricated of #22 ga stainless steel with a #4 satin finish.

**Flange:** Fabricated of #22 ga stainless steel finished to match cabinet with 1/4" returns. (No miters or welds)

**Cabinet Back:** Fabricated of stainless steel formed for rigidity.

**Cabinet Door:** Fabricated of #18 ga stainless steel with #4 satin finish, with full length door stop to reduce vandalism

**Towel Mechanism:** Internal mechanism is fabricated of high impact plastic operated by an automatic sensor.

**Automatic Sensor:** Operated by 4 "D" cell batteries (not included) Takes aprx. 6 cycles to calibrate after batteries installed. After sensor range has been interrupted, paper will not dispense until range is cleared to reset.

**Removable Extended Waste:** Fabricated of #22 ga stainless steel #4 satin finish with all leading edges to have a radius.

**Hinge:** Full length, heavy duty, stainless steel piano type hinge.

**Collars:** Type 304#22 ga stainless steel, #4 satin

**Overall Size:** 14 1/4"W x 54"H x 10"D  
**362mm x 1372mm x 254mm**

**Wall Opening:** 12 3/4"W x 52 1/2"H x 4"D  
**324mm x 1334mm x 102mm**

**U659EA-S2:** 2" semi-recessed. collar, 2" wall opening, 51 mm

**U659EA-SM:** Full surface mounted collar.

**Waste Capacity:** 12 gallons (1.60 cu ft)

**Towel Capacity:** One standard size roll of 8" or 9" wide. (Use only non-perforated towels). One stub roll up to 2 3/4" OD

**\*Recommended 600ft roll for best results.**

**Options:**

- VL1: Reusable vinyl liner

## INSTALLATION

Coordinate installation with architect and contractor to avoid interference with pipes, vents, etc. Provide a rough wall opening 12 3/4"W x 52 1/2"H. Required wall depth, will depend if full or semi-recessing is required. If collar is required, slide collar over the back before installing into wall. Remove waste from cabinet and mount unit plumb and true in opening with proper fasteners per application. Load batteries and towels and secure waste in cabinet. Test unit for proper operation

Controls and or mechanisms should operate with one hand and force required to activate controls shall be no greater than 5 lbs. (4.27.4)

## NOTES



# U659HF

Roll Towel & Waste Combination Unit

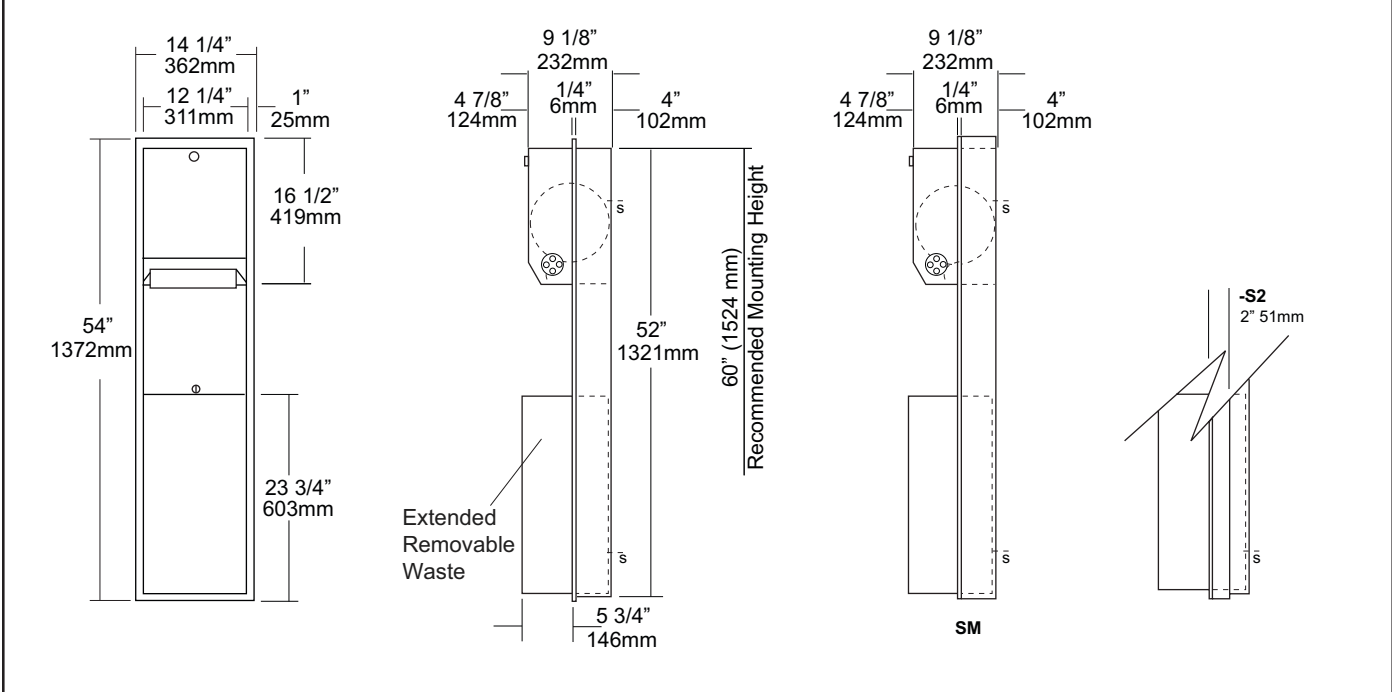
Revision 11/14

JOB #:

ITEM #:

QUANTITY:

MOUNTING	HANDING	TYPE	SIZE	OTHER
----------	---------	------	------	-------



## SPECIFICATIONS

- Body:** Fabricated of #22 ga stainless steel with a #4 satin finish.
- Flange:** Fabricated of #22 ga stainless steel finished to match cabinet with 1/4" returns. (No miters or welds)
- Cabinet Back:** Fabricated of stainless steel formed for rigidity with multiple welds to cabinet body.
- Cabinet Door:** Fabricated of #18 ga stainless steel with #4 satin finish, with full length door stop to reduce vandalism
- Towel Dispenser:** Hands free roll mechanism is fabricated of #20 ga steel formed for rigidity. Unit will accommodate one 8" or 9" wide roll with a max O.D. of 7 7/8". Manual side rotating knob allows maintenance crew to start roll. When paper is torn a starter piece will be partially exposed.
- Removable Extended Waste:** Fabricated of #22 ga stainless steel #4 satin finish with all leading edges to have a radius. Unit is secured in place by a bottom bracket guide and top lock. Embossed tabs allow liners to be held in place.
- Hinge:** Full length, heavy duty, stainless steel piano-type hinge.
- Collars:** Fabricated of #22 ga stainless steel, #4 satin finish.
- Locks:** Pin tumbler type, keyed like all other AJW cabinets.
- Overall Size:** 14 1/4"W x 54"H x 10"D
- 362mm x 1372mm x 254mm**
- Wall Opening:** 12 3/4"W x 52 1/2"H x 4"D
- 324mm x 1334mm x 102mm**
- U659HF-S2:** 2" Semi recessing collar
- U659HF-SM:** Full surface mounted collar
- Waste Capacity:** 12 gallons (1.60 cu ft)
- Towel Capacity:** One standard size roll of 8" or 9" wide. (Use only non-perforated towels). One stub roll up to 2 3/4" OD
- \*Recommended 600ft roll for best results.**
- Options:**
- VL1:** Reusable vinyl liner

## INSTALLATION

Coordinate installation with architect and contractor to avoid interference with pipes, vents, etc. Provide a rough wall opening 12 3/4"W x 52 1/2"H. Required wall depth, will depend if full or semi-recessing is required. If collar is required, slide collar over the back before installing into wall. Remove waste from cabinet and mount unit plumb and true in opening with proper fasteners per application. Secure waste in cabinet and load paper towels.

Controls and or mechanisms should operate with one hand and force required to activate controls shall be no greater than 5 lbs. (4.27.4)

## NOTES

Formerly Model #: U662



# U660AW

Roll Towel & Waste Combination Unit

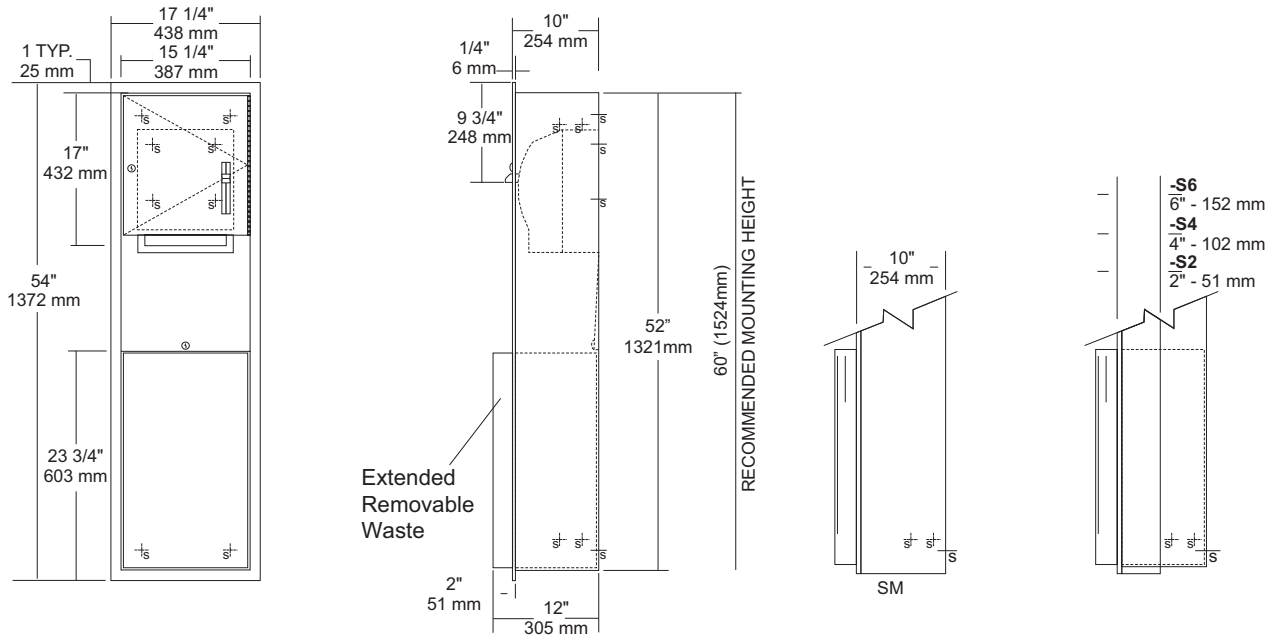
Revision 10/14

JOB #:

ITEM #:

QUANTITY:

MOUNTING	HANDING	TYPE	SIZE	OTHER
----------	---------	------	------	-------



## SPECIFICATIONS

**Body:** Fabricated of #22 ga stainless steel with a #4 satin finish.

**Flange:** Fabricated of #22 ga stainless steel finished to match cabinet with 1/4" returns. (No miters or welds)

**Cabinet Back:** Fabricated of stainless steel formed for rigidity with multiple welds to cabinet body.

**Cabinet Door:** Fabricated of #22 ga stainless steel with #4 satin finish, with full length door stop to reduce vandalism

**Towel Dispenser:** Roll towel mechanism is fabricated of #20 ga steel formed for rigidity. Unit will accommodate one 8" or 9" wide roll with a max O.D. of 7 7/8". Towel length dispensed has three adjustable settings. Lever is activated with one hand and less than 5 lbs of force to activate.

**Removable Extended Waste:** Fabricated of #22 ga stainless steel #4 satin finish with all leading edges to have a radius. Unit is secured in place by a bottom bracket guide and top lock. Embossed tabs allow liners to be held in place.

**Hinge:** Full length, heavy duty, stainless steel piano type hinge.

**Collars:** Fabricated of #22 ga stainless steel, finished to match cabinet. (semi-recessed and surface mounted)

**Overall Size:** 17 1/4"W x 54"H x 12"D  
**438mm x 1372mm 305mm**

**Wall Opening:** 15 3/4"W x 52 1/2"H x 10"D  
**400mm x 1334mm x 254mm**

**Waste Capacity:** 17 gallons (2.15 cu ft)

**Towel Capacity:** One standard size roll of 8" or 9" wide. (Use only non-perforated towels). One stub roll up to 2 3/4" OD

**\*Recommended 600ft roll for best results.**

## INSTALLATION

Coordinate installation with architect and contractor to avoid interference with pipes, vents, etc. Provide a rough wall opening 15 3/4"W x 52 1/2"H. Required wall depth, will depend if full or semi-recessing is required. If collar is required, slide collar over the back before installing into wall. Remove waste from cabinet and mount unit plumb and true in opening with proper fasteners per application. Secure waste in cabinet and load paper towels. Controls and or mechanisms should operate with one hand and force required to activate controls shall be no greater than 5 lbs. (4.27.4)

U660AW-S2: Semi-Rec. with 2" collar, 8" wall opening, 203mm  
 U660AW-S4: Semi-Rec. with 4" collar, 6" wall opening, 152mm  
 U660AW-S6: Semi-Rec. with 6" collar, 4" wall opening, 102mm  
 U660AW-SM: Full surface mounted collar.

## NOTES

Formerly Model #: U660/199AW



# U660EA

Roll Towel & Waste Combination Unit

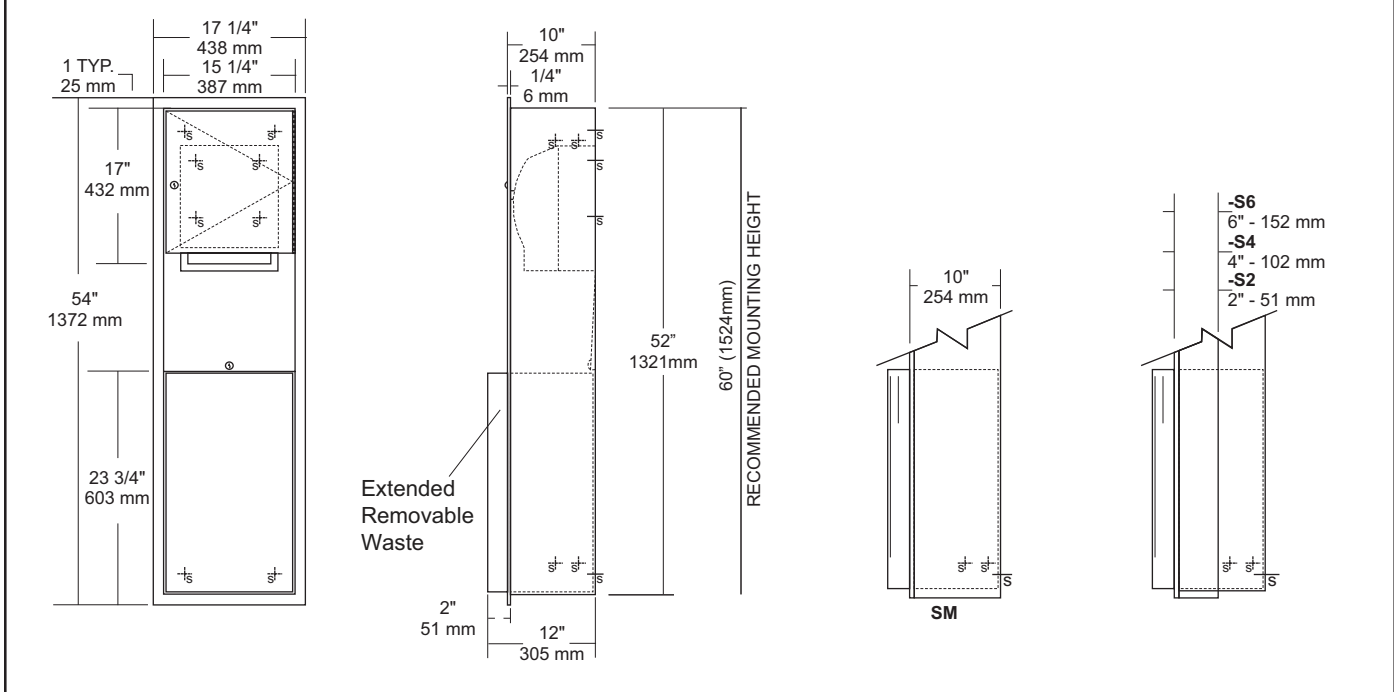
Revision 10/14

JOB #:

ITEM #:

QUANTITY:

MOUNTING	HANDING	TYPE	SIZE	OTHER
----------	---------	------	------	-------



## SPECIFICATIONS

- Body:** Fabricated of #22 ga stainless steel with a #4 satin finish.
- Flange:** Fabricated of #22 ga stainless steel finished to match cabinet with 1/4" returns. (No miters or welds)
- Cabinet Back:** Fabricated of stainless steel formed for rigidity with multiple welds to cabinet body.
- Cabinet Door:** Fabricated of #22 ga stainless steel with #4 satin finish, with full length door stop to reduce vandalism
- Towel Dispenser:** Roll towel mechanism is fabricated of HDP material. Unit will accommodate one 8" or 9" wide roll with a max O.D. of 7 7/8". Towel length dispensed has three adjustable settings. Battery operated sensor provides a hands free operation (batteries not included).
- Removable Extended Waste:** Fabricated of #22 ga stainless steel #4 satin finish with all leading edges to have a radius. Unit is secured in place by a bottom bracket guide and top lock. Embossed tabs allow liners to be held in place.
- Hinge:** Full length, heavy duty, stainless steel piano type hinge.
- Collars:** Fabricated of #22 ga stainless steel, finished to match cabinet. (semi-recessed and surface mounted)
- Overall Size:** 17 1/4"W x 54"H x 12"D  
438mm x 1372mm 305mm
- Wall Opening:** 15 3/4"W x 52 1/2"H x 10"D  
400mm x 1334mm x 254mm
- Waste Capacity:** 17 gallons (2.15 cu ft)
- Towel Capacity:** One standard size roll of 8" or 9" wide. (Use only non-perforated towels). One stub roll up to 2 3/4" OD
- \*Recommended 600ft roll for best results.**

## INSTALLATION

Coordinate installation with architect and contractor to avoid interference with pipes, vents, etc. Provide a rough wall opening 15 3/4"W x 52 1/2"H. Required wall depth, will depend if full or semi-recessing is required. If collar is required, slide collar over the back before installing into wall. Remove waste from cabinet and mount unit plumb and true in opening with proper fasteners per application. Secure waste in cabinet and load paper towels and batteries. Test unit for proper operation. Controls and or mechanisms should operate with one hand and force required to activate controls shall be no greater than 5 lbs. (4.27.4)

U660EA-S2: Semi-Rec. with 2" collar, 8" wall opening, 203mm  
 U660EA-S4: Semi-Rec. with 4" collar, 6" wall opening, 152mm  
 U660EA-S6: Semi-Rec. with 6" collar, 4" wall opening, 102mm  
 U660EA-SM: Full surface mounted collar.

## NOTES

Formerly Model #: U660/199EA



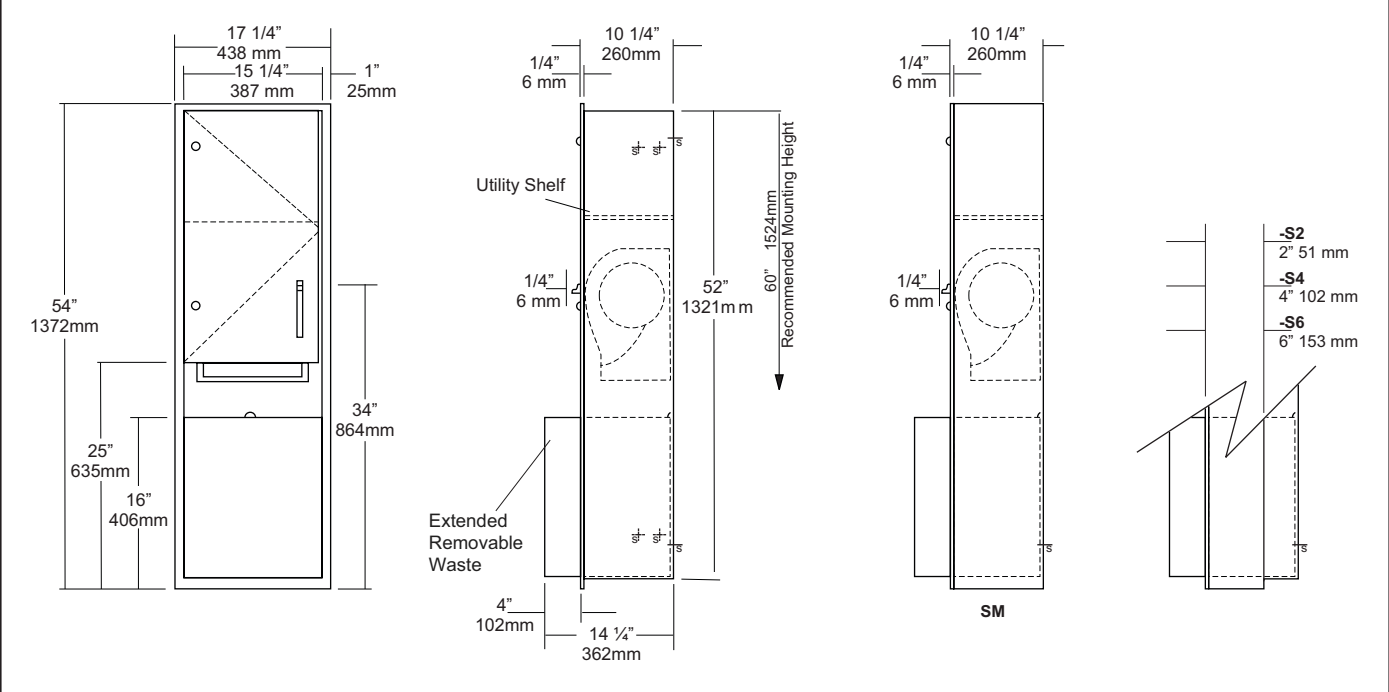
# U661AW

## Roll Towel & Waste Combination Unit

Revision 10/14

JOB #:
ITEM #:
QUANTITY:

MOUNTING	HANDING	TYPE	SIZE	OTHER
----------	---------	------	------	-------



### SPECIFICATIONS

**Body:** Fabricated of #22 ga stainless steel with a #4 satin finish.

**Flange:** Fabricated of #22 ga stainless steel finished to match cabinet with 1/4" returns. (No miters or welds)

**Cabinet Back:** Fabricated of stainless steel formed for rigidity with multiple welds to cabinet body.

**Cabinet Door:** Fabricated of #22 ga stainless steel with #4 satin finish, with full length door stop to reduce vandalism

**Towel Dispenser:** Roll towel mechanism is fabricated of #20 ga steel formed for rigidity. Unit will accommodate one 8" or 9" wide roll with a max O.D. of 7 7/8". Towel length dispensed has three adjustable settings. Lever is activated with one hand and less than 5lbs of force to activate.

**Removable Extended Waste:** Fabricated of #22 ga stainless steel #4 satin finish with all leading edges to have a radius. Unit is secured in place by a bottom bracket guide and top lock. Embossed tabs allow liners to be held in place.

**Hinge:** Full length, heavy duty, stainless steel piano type hinge.

**Collars:** Fabricated of #22 ga stainless steel, finished to match cabinet. (semi-recessed and surface mounted)

**Overall Size:** 17 1/4"W x 54"H x 14 1/4"D  
**438mm x 1372mm 362mm**

**Wall Opening:** 15 3/4"W x 52 1/2"H x 10"D  
**400mm x 1334mm x 254mm**

**Waste Capacity:** 13 gallons (1.74 cu ft)

**Towel Capacity:** One standard size roll of 8" or 9" wide. (Use only non-perforated towels). One stub roll up to 2 3/4" OD

**\*Recommended 600ft roll for best results.**

**Options:**

- VL1: Reusable vinyl liner

### INSTALLATION

Coordinate Installation with architect and contractor to avoid interference with pipes, vents, etc. Provide a rough wall opening 15 3/4"W x 52 1/2"H. Required wall depth, will depend if full or semi-recessing is required. If collar is required, slide collar over the back before installing into wall. Remove waste from cabinet and mount unit plumb and true in opening with proper fasteners per application. Secure waste in cabinet and load paper towels. Controls and or mechanisms should operate with one hand and force required to activate controls shelf be no greater than 5lbs. (4.27.4)

U661AW-S2: 2" Semi-Rec. collar, 8" wall opening, 203 mm  
 U661AW-S4: 4" Semi-Rec. collar, 6" wall opening, 152 mm  
 U661AW-S6: 6" Semi-Rec. collar, 4" wall opening, 102 mm  
 U661AW-SM: Full surface mounted collar.

### NOTES

Formerly Model #: U661/199EA



# U661EA

## Roll Towel & Waste Combination Unit

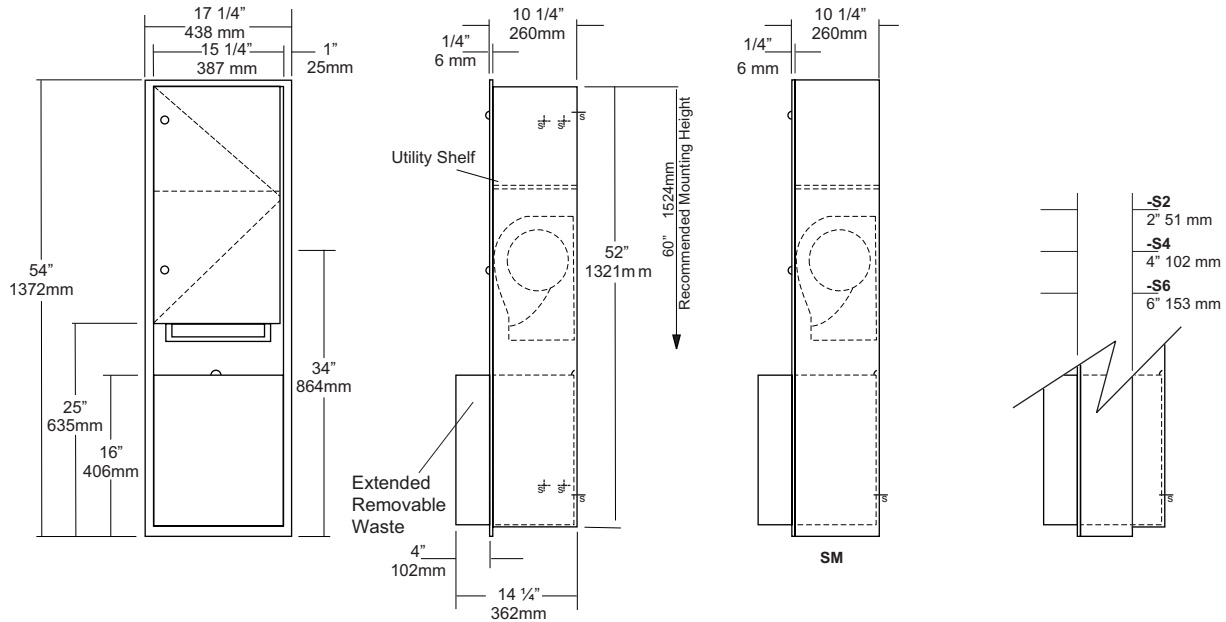
Revision 11/14

JOB #:

ITEM #:

QUANTITY:

MOUNTING	HANDING	TYPE	SIZE	OTHER



### SPECIFICATIONS

**Body:** Fabricated of #22 ga stainless steel with a #4 satin finish.

**Flange:** Fabricated of #22 ga stainless steel finished to match cabinet with 1/4" returns. (No miters or welds)

**Cabinet Back:** Fabricated of stainless steel formed for rigidity with multiple welds to cabinet body.

**Cabinet Door:** Fabricated of #22 ga stainless steel with #4 satin finish, with full length door stop to reduce vandalism

**Towel Dispenser:** Roll towel mechanism is fabricated of #20 ga steel formed for rigidity. Unit will accommodate one 8" or 9" wide roll with a max O.D. of 7 7/8". Towel length dispensed has three adjustable settings. Battery operated sensor provides a hands free operation. (batteries not included)

**Removable Waste:** Fabricated of #22 ga stainless steel #4 satin finish with all leading edges to have a radius. Unit is secured in place by a bottom bracket guide and top lock. Embossed tabs allow liners to be held in place.

**Hinge:** Full length, heavy duty, stainless steel piano type hinge.

**Collars:** Fabricated of #22 ga stainless steel, finished to match cabinet.

**Overall Size:** 17 1/4"W x 54"H x 14 1/4"D  
**438mm x 1372mm x 362mm**

**Wall Opening:** 15 3/4"W x 52 1/2"H x 10"D  
**400mm x 1334mm x 254mm**

**Waste Capacity:** 13 gallons (1.74 cu ft)

**Towel Capacity:** One standard size roll of 8" or 9" wide. (Use only non-perforated towels). One stub roll up to 2 3/4" OD

**\*Recommended 600ft roll for best results.**

**Options:**

- VL1: Reusable vinyl liner

### INSTALLATION

Coordinate Installation with architect and contractor to avoid interference with pipes, vents, etc. Provide a rough wall opening 15 3/4"W x 52 1/2"H. Required wall depth, will depend if full or semi-recessing is required. If collar is required, slide collar over the back before installing into wall. Remove waste from cabinet and mount unit plumb and true in opening with proper fasteners per application. Secure waste in cabinet and load paper towels and batteries. Test unit for proper operation. Controls and or mechanisms should operate with one hand and force required to activate controls shelf be no greater than 5lbs. (4.27.4)

U661EA-S2: 2" Semi-Rec. collar, 8" wall opening, 203 mm  
 U661EA-S4: 4" Semi-Rec. collar, 6" wall opening, 152 mm  
 U661EA-S6: 6" Semi-Rec. collar, 4" wall opening, 102 mm  
 U661EA-SM: Full surface mounted collar.

### NOTES

Formerly Model #: U661/199EA





# U661FL

## Roll Towel & Waste Combination Unit

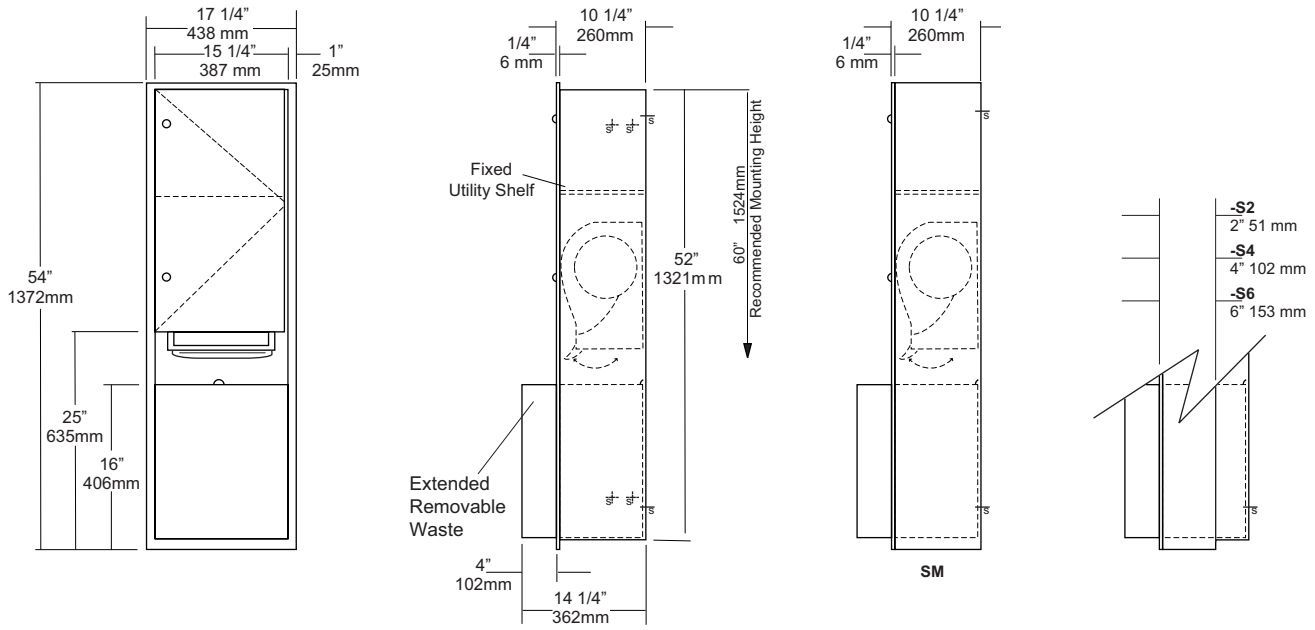
Revision 10/14

JOB #:

ITEM #:

QUANTITY:

MOUNTING	HANDING	TYPE	SIZE	OTHER
----------	---------	------	------	-------



### SPECIFICATIONS

**Body:** Fabricated of #22 ga stainless steel with a #4 satin finish.

**Flange:** Fabricated of #22 ga stainless steel finished to match cabinet with 1/4" returns. (No miters or welds)

**Cabinet Back:** Fabricated of stainless steel formed for rigidity with multiple welds to cabinet body.

**Towel Mechanism:** Full width body push bar allows easy operation of mechanism that operates under 5 lbs of force. Push bar can be operated with user's hand, elbow or forearm.

**Removable Waste:** Fabricated of #22 ga stainless steel #4 satin finish with all leading edges to have a radius. Unit is secured in place by a bottom bracket guide and top lock.

**Collars:** Fabricated of #22 ga stainless steel, finished to match cabinet when full recessing is not possible.

**Overall Size:** 17 1/4"W x 54"H x 14 1/4"D  
**438mm x 1372mm x 362mm**

**Wall Opening:** 15 3/4"W x 52 1/2"H x 10"D  
**400mm x 1334mm x 254mm**

**U661FL-S2:** 2" semi-recessed. collar, 8" wall opening, 203 mm

**U661FL-S4:** 4" semi-recessed. collar, 6" wall opening, 152 mm

**U661FL-S6:** 6" semi-recessed. collar, 4" wall opening, 102 mm

**U661FL-SM:** Full surface mounted collar.

**Towel Capacity:** One standard size roll of 8" or 9" wide. (Use only non-perforated towels). One stub roll up to 2 3/4" OD

**\*Recommended 600ft roll for best results**

**Waste Capacity:** 12 gallons (1.6 cu ft)

**Options:**

**-VL1:** Reusable vinyl liner

### INSTALLATION

Coordinate Installation with architect and contractor to avoid interference with pipes, vents, etc. Provide a rough wall opening 15 3/4"W x 52 1/2"H. Required wall depth, will depend if full or semi-recessing is required. If collar is required, slide collar over the back before installing into wall. Remove waste from cabinet and mount unit plumb and true in opening with proper fasteners per application. Secure waste in cabinet and load paper towels. Controls and or mechanisms should operate with one hand and force required to activate controls shelf be no greater than 5lbs. (4.27.4)

### NOTES

Formerly Model #: U664



# U670AW

Roll Towel & Waste Combination Unit

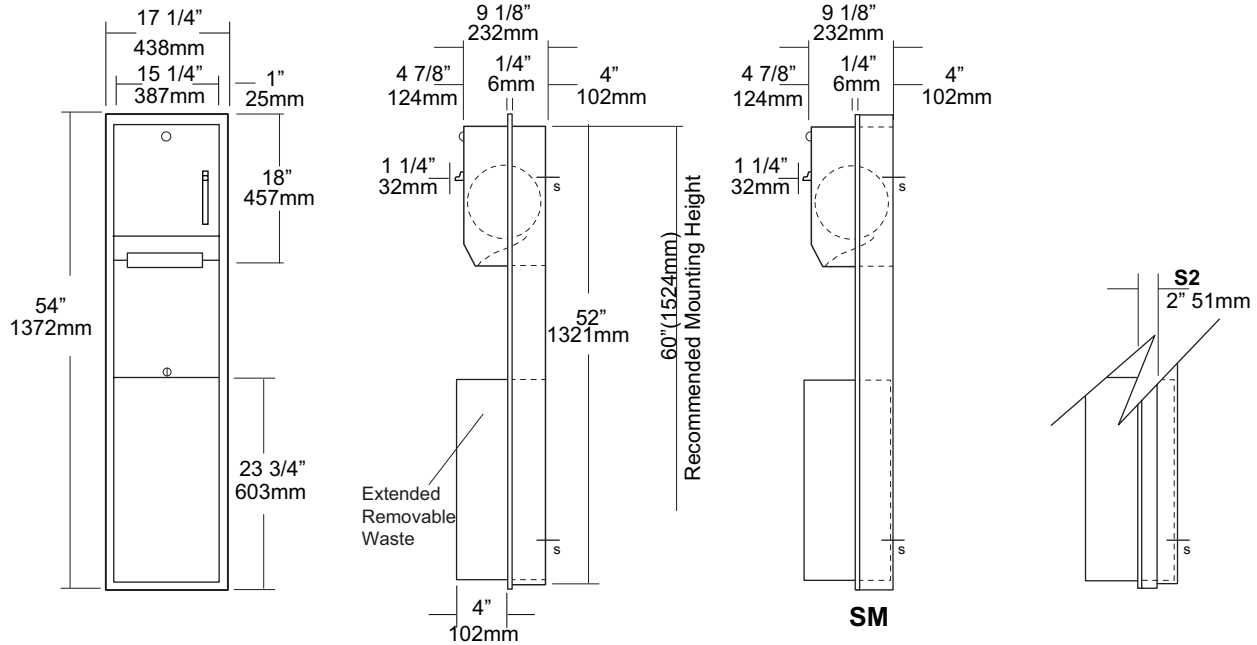
Revision 10/14

JOB #:

ITEM #:

QUANTITY:

MOUNTING	HANDING	TYPE	SIZE	OTHER
----------	---------	------	------	-------



### SPECIFICATIONS

**Body:** Fabricated of #22 ga stainless steel with a #4 satin finish.

**Flange:** Fabricated of #22 ga stainless steel finished to match cabinet with 1/4" returns. (No miters or welds)

**Cabinet Back:** Fabricated of stainless steel formed for rigidity with multiple welds to cabinet body.

**Towel Dispenser:** Cabinet is fabricated of stainless steel with a #4 satin finish with #18 ga door, keyed like all other cabinets with full length stainless steel hinge. Roll towel mechanism is fabricated of 20 ga. steel formed for rigidity. Unit will accommodate one 8" or 9" wide roll with a maximum outside diameter of 7 7/8". Towels can be dispensed in three adjustable settings. Lever may be operated with one hand and less than 5 lbs of force to adhere to ADA guidelines.

**Removable Waste:** #22 ga stainless steel #4 satin finish with all leading edges to have a radius. Unit is secured in place by a bottom bracket guide and top lock.

**Collars:** Fabricated of #22 ga stainless steel, finished to match cabinet when full recessing is not possible.

**Overall Size:** 17 1/4"W x 54"H x 9 1/8"D  
 438mm x 1372mm x 232mm

**Wall Opening:** 15 3/4"W x 52 1/2"H x 4"D  
 400mm x 1334mm x 102mm

**U670AW-S2:** Semi-recessed. with 2" collar, 4" wall opening 102mm

**U670AW-SM:** Full surface mounted collar

**Towel Capacity:** One standard size roll of 8" or 9" wide. (Use only non-perforated towels). One stub roll up to 2 3/4" OD

**\*Recommended 600ft roll for best results**

**Waste Capacity:** 12 gallons (1.6 cu ft)

**Options:**

-VL1: Reusable vinyl liner

### INSTALLATION

Coordinate installation with architect and contractor to avoid interference with pipes, vents, etc. Provide a rough wall opening 15 3/4"W x 52 1/2"H. If collar is required, slide collar over the back before installing into wall. Remove waste from cabinet and mount unit plumb and true in opening with proper fasteners per application. Secure waste in cabinet. Load towels and test for proper operation.

When cleaning cabinet use a non abrasive non-chloric solution and wiped off with the grain of the cabinet.

### NOTES

Formerly Model #: U650AW



# U670EA

## Roll Towel & Waste Combination Unit

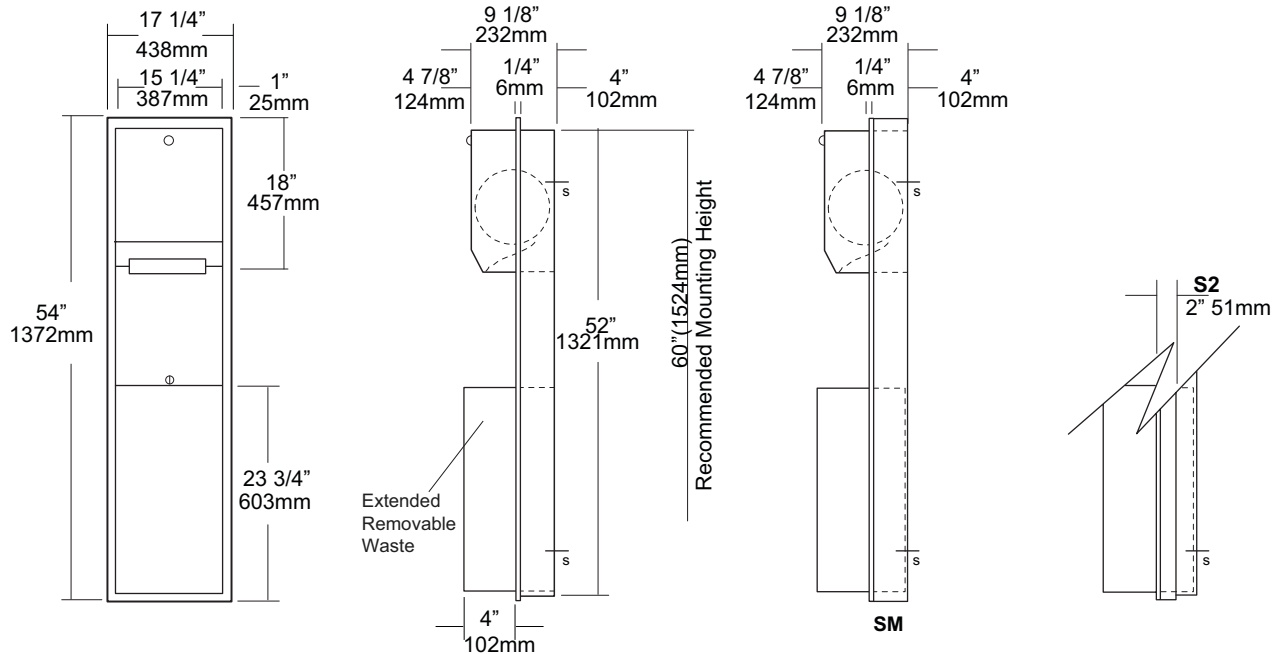
Revision 10/14

JOB #:

ITEM #:

QUANTITY:

MOUNTING	HANDING	TYPE	SIZE	OTHER



### SPECIFICATIONS

**Body:** Fabricated of #22 ga stainless steel with a #4 satin finish.

**Flange:** Fabricated of #22 ga stainless steel finished to match cabinet with 1/4" returns. (No miters or welds)

**Cabinet Back:** Fabricated of stainless steel formed for rigidity with multiple welds to cabinet body.

**Cabinet Door:** Fabricated of #18 ga stainless steel with #4 satin finish.

**Towel Dispenser:** Sensor activated hands free roll towel dispenser operated by 4 "D" cell batteries (not included) Internal mechanism is fabricated of high impact plastic concealed inside stainless steel cabinet.

**Removable Waste:** #22 ga stainless steel #4 satin finish with all leading edges to have a radius. Unit is secured in place by a bottom bracket guide and top lock.

**Hinge:** Full length, heavy duty, stainless steel piano type hinge.

**Locks:** Pin tumbler commercial quality, keyed like all other AJW cabinets.

**Collars:** Fabricated of #22 ga stainless steel, finished to match cabinet. (Used when full recessing cannot be accomplished)

**Overall Size:** 17 1/4"W x 54"H x 4 1/4"D (wall depth req)  
**438mm x 1372mm x 108mm**

**Wall Opening:** 15 3/4"W x 52 1/2"H  
**400mm x 1334mm**

**U670EA-S2:** semi-recessed. with 2" collar, 4" wall opening 102mm

**U670EA-SM:** Full surface mounted collar

**Waste Capacity:** 12 gallons (1.6 cu ft.)

**Towel Capacity:** One standard size roll of 8" or 9" wide. (Use only non-perforated towels). One stub roll up to 2 3/4" OD

**\*Recommended 600ft roll for best results.**

**Options:**

- VL1: Reusable vinyl liner

### INSTALLATION

Coordinate installation with architect and contractor to avoid interference with pipes, vents, etc. Provide a rough wall opening 15 3/4"W x 52 1/2"H. If collar is required, slide collar over the back before installing into wall. Remove waste from cabinet and mount unit plumb and true in opening with proper fasteners per application. Secure waste in cabinet. Unlock towel cabinet and install batteries per instructions inside cabinet. Load towels and test for proper operation. Sensor may need up to 6 cycling's for proper calibration.

When cleaning cabinet use a non abrasive non-chloric solution and wiped off with the grain of the cabinet.

### NOTES

Formerly Model #: U650EA



# U671AW

## Roll Towel & Waste Combination Unit

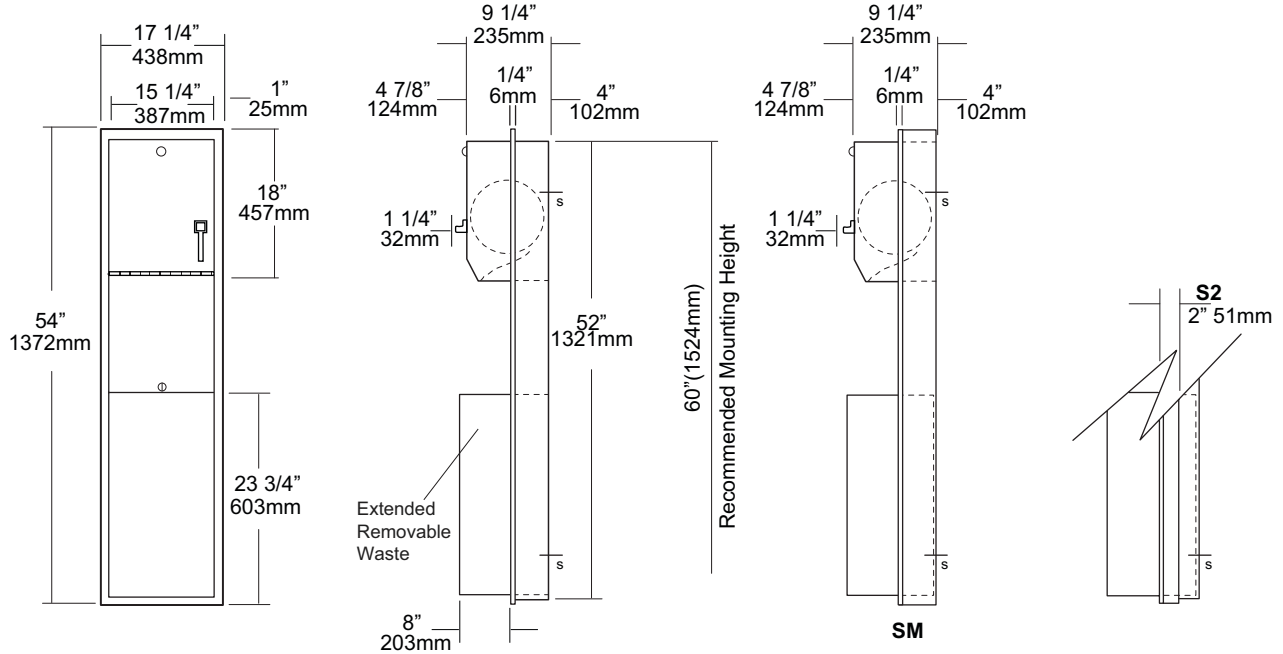
Revision 10/14

JOB #:

ITEM #:

QUANTITY:

MOUNTING	HANDING	TYPE	SIZE	OTHER



### SPECIFICATIONS

**Body:** Fabricated of #22 ga stainless steel with a #4 satin finish.

**Flange:** Fabricated of #22 ga stainless steel finished to match cabinet with 1/4" returns. (No miters or welds)

**Cabinet Back:** Fabricated of stainless steel formed for rigidity with multiple welds to cabinet body.

**Cabinet Door:** Fabricated of #18 ga stainless steel with #4 satin finish.

**Towel Dispenser:** Lever operated mechanism that requires less than 5 lbs of force to operate.

**Removable Waste:** #22 ga stainless steel #4 satin finish with all leading edges to have a radius. Unit is secured in place by a bottom bracket guide and top lock.

**Hinge:** Full length, heavy duty, stainless steel piano type hinge.

**Locks:** Pin tumbler commercial quality, keyed like all other AJW cabinets.

**Collars:** Fabricated of #22 ga stainless steel, finished to match cabinet. (Used when full recessing cannot be accomplished)

**Overall Size:** 17 1/4"W x 54"H x 12"D  
(minimum wall depth of 4" required)  
438mm x 1372mm x 305mm

**Wall Opening:** 15 3/4"W x 52 1/2"H x 4"D  
400mm x 1334mm x 102mm

**U671AW-S2:** semi-recessed. with 2" collar, 4" wall opening 102mm

**U671AW-SM:** Full surface mounted collar

**Waste Capacity:** 18 gallons (2.4 cu ft.)

**Towel Capacity:** One standard size roll of 8" or 9" wide. (Use only non-perforated towels). One stub roll up to 2 3/4" OD

**\*Recommended 600ft roll for best results.**

### INSTALLATION

Coordinate installation with architect and contractor to avoid interference with pipes, vents, etc. Provide a rough wall opening 15 3/4"W x 52 1/2"H. See chart for required wall depth. If collar is required, slide collar over the back before installing into wall. Remove waste from cabinet and mount unit plumb and true in opening with proper fasteners per application. After adjustment is complete secure cabinet door and waste receptacle.

When cleaning cabinet use a non abrasive non-chloric solution and wiped off with the grain of the cabinet.

### NOTES

Formerly Model #: U651AW



# U671EA

## Roll Towel & Waste Combination Unit

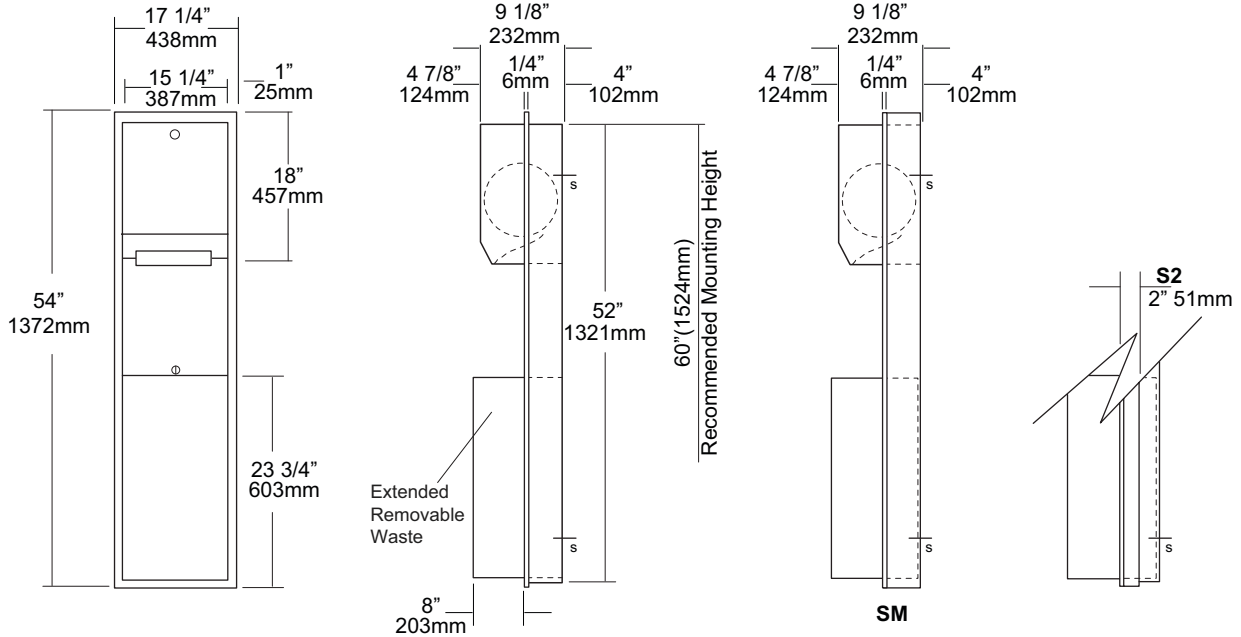
Revision 10/14

JOB #:

ITEM #:

QUANTITY:

MOUNTING	HANDING	TYPE	SIZE	OTHER



SPECIFICATIONS	INSTALLATION
----------------	--------------

**Body:** Fabricated of #22 ga stainless steel with a #4 satin finish.

**Flange:** Fabricated of #22 ga stainless steel finished to match cabinet with 1/4" returns. (No miters or welds)

**Cabinet Back:** Fabricated of stainless steel formed for rigidity with multiple welds to cabinet body.

**Cabinet Door:** Fabricated of #18 ga stainless steel with #4 satin finish.

**Towel Dispenser:** Sensor activated hands free roll towel dispenser operated by 4 "D" cell batteries (not included) Internal mechanism is fabricated of high impact plastic concealed inside stainless steel cabinet.

**Removable Waste Capacity:** #22 ga stainless steel #4 satin finish with all leading edges to have a radius. Unit is secured in place by a bottom bracket guide and top lock.

**Hinge:** Full length, heavy duty, stainless steel piano type hinge.

**Locks:** Pin tumbler commercial quality, keyed like all other AJW cabinets.

**Collars:** Fabricated of #22 ga stainless steel, finished to match cabinet. (Used when full recessing cannot be accomplished)

**Overall Size:** 17 1/4"W x 54"H x 12 1/4"D  
(minimum wall depth of 4" required)  
438mm x 1372mm x 311mm

**Wall Opening:** 15 3/4"W x 52 1/2"H  
400mm x 1334mm

**U671AW-S2:** Semi-recessed. with 2" collar, 4" wall opening 102mm

**U671AW-SM:** Full surface mounted collar

**Waste Capacity:** 18 gallons (2.4 cu ft.)

**Towel Capacity:** One standard size roll of 8" or 9" wide. (Use only non-perforated towels). One stub roll up to 2 3/4" OD

**\*Recommended 600ft roll for best results.**

Coordinate installation with architect and contractor to avoid interference with pipes, vents, etc. Provide a rough wall opening 15 3/4"W x 52 1/2"H. See chart for required wall depth. If collar is required, slide collar over the back before installing into wall. Remove waste from cabinet and mount unit plumb and true in opening with proper fasteners per application. Install 4 "D" cell batteries and load paper towels per instructions in cabinet. Close cabinet door and test operation by passing hand through sensor range. It may take aprx 5 or 6 dispensing cycles to have dispenser adjust properly. After adjustment is complete secure cabinet door and waste receptacle.

When cleaning cabinet use a non abrasive non-chloric solution and wiped off with the grain of the cabinet.

**NOTES**

Formerly Model #: U651EA



# U673AW

Roll Towel & Waste Combination Unit

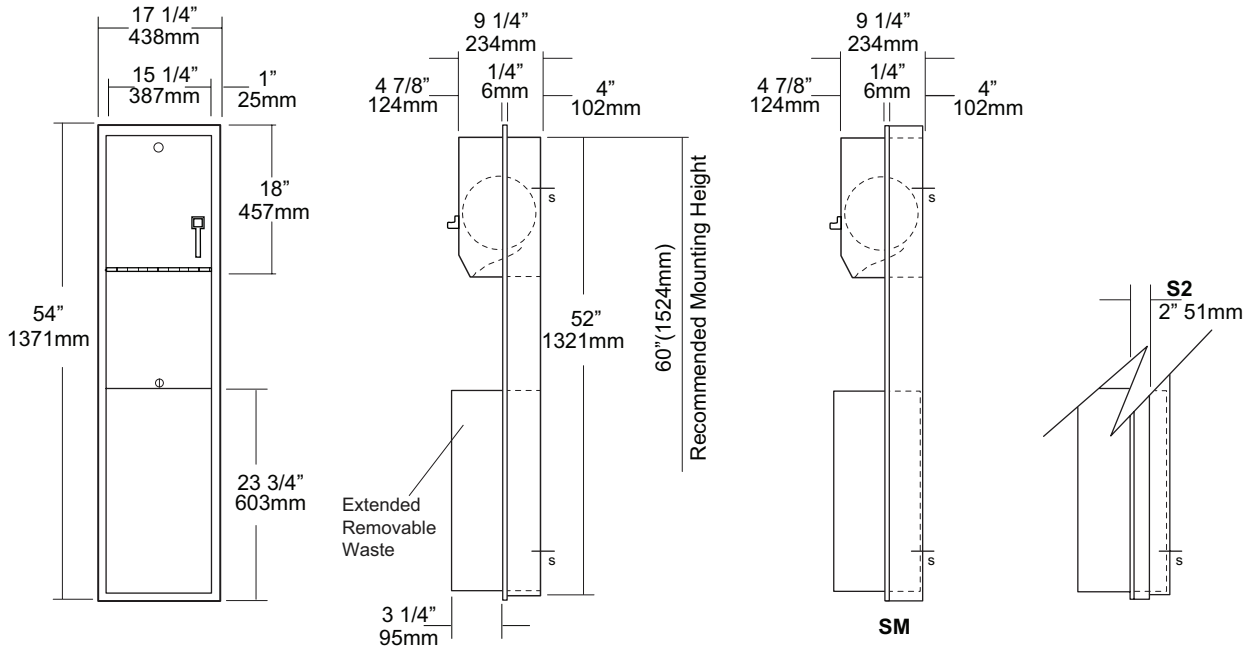
Revision 12/11

JOB #:

ITEM #:

QUANTITY:

MOUNTING	HANDING	TYPE	SIZE	OTHER
----------	---------	------	------	-------



### SPECIFICATIONS

- Body:** Fabricated of Fabricated of #22 ga stainless steel with a #4 satin finish.
- Flange:** Fabricated of #22 ga stainless steel finished to match cabinet with 1/4" returns. (No miters or welds)
- Cabinet Back:** Fabricated of stainless steel formed for rigidity.
- Cabinet Door:** Fabricated of #22 ga stainless steel with #4 satin finish, with full length door stop to reduce vandalism
- Towel Mechanism:** Lever operated mechanism that requires less than 5 lbs of force to operate.
- Removable Ext. Waste Capacity:** #22 ga stainless steel #4 satin finish with all leading edges to have a radius.
- Hinge:** Full length, heavy duty, stainless steel piano type hinge.
- Collars:** Fabricated of #22 ga stainless steel, #4 satin
- Overall Size:** 14 1/4"W x 54"H x 10 5/8"D  
362mm x 1372mm 260mm
- Wall Opening:** 12 3/4"W x 52 1/2"H x 4"D  
324mm x 1334mm x 232mm
- U673AW-S2:** 2" semi-recessed. collar, 2" wall opening, 51 mm
- U673AW-SM:** Full surface mounted collar.
- Waste Capacity:** 12 gallons (1.60 cu ft)
- Towel Capacity:** One standard roll up to 8" wide (non-perforated)
- \*Recommended 600ft roll for best results.**
- Options :**
- VL 1: Vinyl Liner (12 Gallon)

### INSTALLATION

Coordinate installation with architect and contractor to avoid interference with pipes, vents, etc. Provide a rough wall opening 15 3/4"W x 52 1/2"H. Required wall depth, will depend if full or semi-recessing is required. if collar is required, slide collar over the back before installing into wall. Remove waste from cabinet and mount unit plumb and true in opening with proper fasteners per application. Secure waste in cabinet and load paper towels and batteries. Test unit for proper operation. Controls and or mechanisms should operate with one hand and force required to activate controls shall be no greater than 5 lbs. (4.27.4)

### NOTES



# U673EA

Roll Towel & Waste Combination Unit

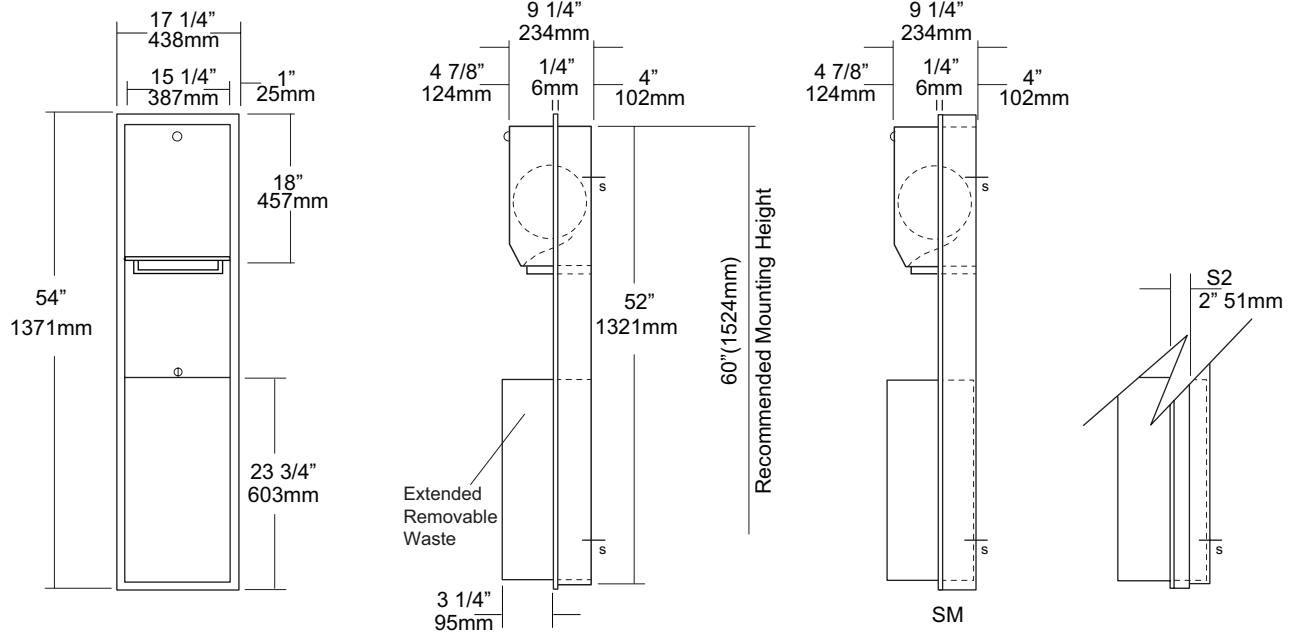
Revision 12/11

JOB #:

ITEM #:

QUANTITY:

MOUNTING	HANDING	TYPE	SIZE	OTHER
----------	---------	------	------	-------



## SPECIFICATIONS

- Body:** Fabricated of #22 ga stainless steel with a #4 satin finish.
- Flange:** Fabricated of #22 ga stainless steel finished to match cabinet with 1/4" returns. (No miters or welds)
- Cabinet Back:** Fabricated of stainless steel formed for rigidity.
- Cabinet Door:** Fabricated of #22 ga stainless steel with #4 satin finish, with full length door stop to reduce vandalism
- Towel Mechanism:** Sensor activated hands free roll towel dispenser operated by 4 "D" cell batteries (not included) Internal mechanism is fabricated of high impact plastic concealed inside stainless steel cabinet.
- Removable Extended Waste:** #22 ga stainless steel #4 satin finish with all leading edges to have a radius.
- Hinge:** Full length, heavy duty, stainless steel piano type hinge.
- Collars:** Fabricated of #22 ga stainless steel, #4 satin
- Overall Size:** 14 1/4"W x 54"H x 10 5/8"D  
362mm x 1372mm 260mm
- Wall Opening:** 12 3/4"W x 52 1/2"H x 4"D  
324mm x 1334mm x 232mm
- U673EA-S2:** 2" semi-recessed. collar, 2" wall opening, 51 mm
- U673EA-SM:** Full surface mounted collar.
- Waste Capacity:** 12 gallons (1.60 cu ft)
- Towel Capacity:** One standard roll up to 8" wide (non-perforated)
- \*Recommended 600ft roll for best results.**
- Options :**
  - CV: Covered Waste
  - VL 1: Vinyl Liner(12 Gallon)

## INSTALLATION

Coordinate installation with architect and contractor to avoid interference with pipes, vents, etc. Provide a rough wall opening 15 3/4"W x 52 1/2"H. Required wall depth, will depend if full or semi-recessing is required. if collar is required, slide collar over the back before installing into wall. Remove waste from cabinet and mount unit plumb and true in opening with proper fasteners per application. Secure waste in cabinet and load paper towels and batteries. Test unit for proper operation. Controls and or mechanisms should operate with one hand and force required to activate controls shall be no greater than 5 lbs. (4.27.4)

## NOTES



# U674

## Vanity Mounted Towel & Waste Door

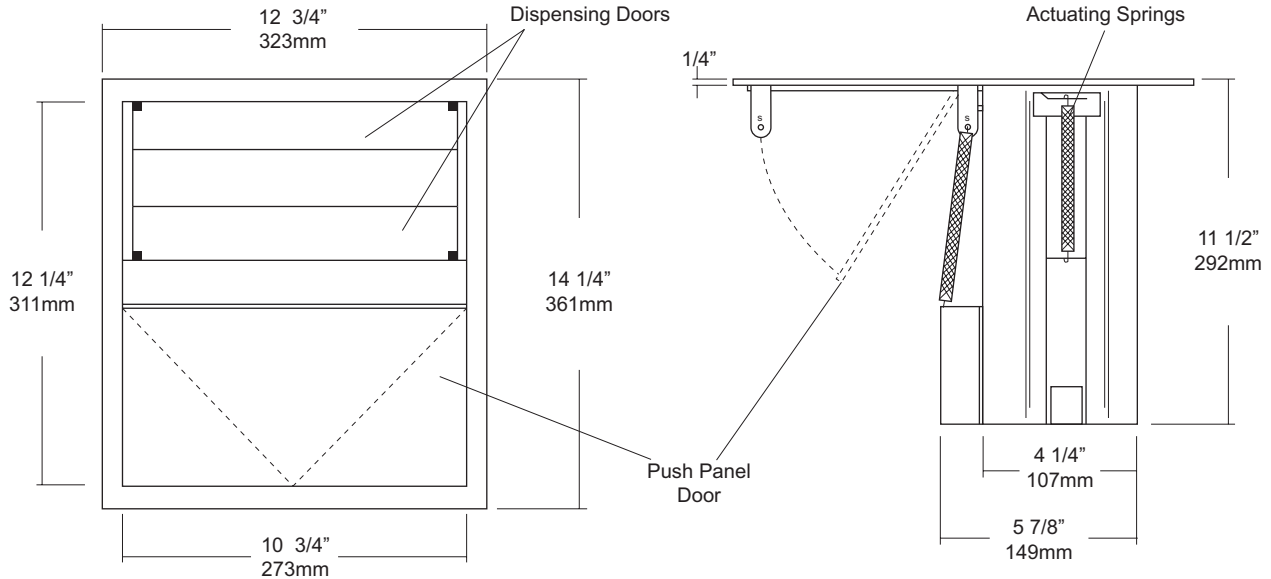
Revision 03/11

JOB #:

ITEM #:

QUANTITY:

MOUNTING	HANDING	TYPE	SIZE	OTHER



### SPECIFICATIONS

**Mechanism Guide / Body:** Fabricated of #22 gauge stainless steel that controls paper dispensing by means of 2 spring loaded dispensing doors and actuating springs.

**Door:** Assembly is fabricated of #22 gauge stainless steel with a #4 satin finish on all exposed surfaces. Push panel door will return to closed position by means of a return spring loaded mechanism.

**Flange:** Fabricated of #22 gauge stainless steel with a #4 satin finish with 1/4" returns.

**Overall Size:** 12 3/4"W x 14 1/4"L x 11 1/2"D  
**323mm x 361mm x 292mm**

**Counter Top Opening:** 11"W x 12 1/2"L  
**279mm x 318mm**

**Capacity:** 300 c-fold or 400 multifold towels

**Note:** Waste receptacle must be purchased separately.

### INSTALLATION

Coordinate installation with architect and contractor before providing a cut out in vanity to avoid interference with pipes. Provide cut out 11"W x 12 1/2"L. Install unit in opening and secure at four (4) points with proper fasteners (fasteners not provided). Load paper towels into unit by pushing down into unit through the flap doors and test dispensing of towels.

Waste receptacle must be ordered as a separate unit.

### NOTES

Formerly Model #: U974