

date
projectname
attn
from
fax
email
phone

1/27
avaf
qwfqf
qewtg
q4t1tqwd
q@efgfqqqg
qeq



U120

Shelf & Soap Dispenser Combination Unit

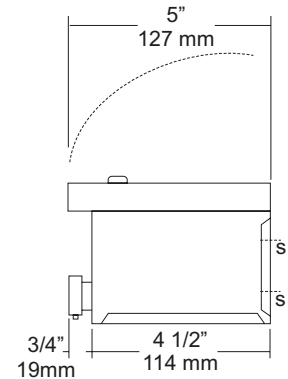
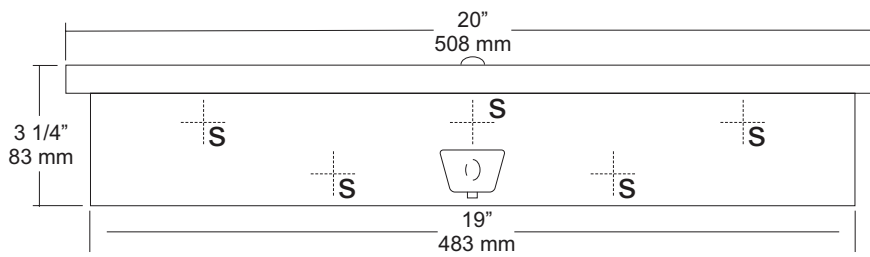
Revision 03/11

JOB #:

ITEM #:

QUANTITY:

MOUNTING	HANDING	TYPE	SIZE	OTHER



SPECIFICATIONS

Tank: Fabricated of #20 gauge stainless steel with a #4 satin finish removable for easy servicing and cleaning.

Shelf & Bracket: Fabricated of #18 gauge stainless steel. All exposed areas have a #4 satin finish. Shelf is secured to back by means of full length, stainless steel piano type hinge.

Valve: All purpose antibacterial soap valve cylinder, black molded plastic push style valve that takes less than 5 lbs of force and one hand to operate complies with barrier free guidelines when mounted at proper height.

Lock: Tamper resistant lock.

Overall Size: 20"W x 3 1/4"H x 5"D

508mm x 83mm x 127mm

Capacity: 128 fl oz.

INSTALLATION

Provide an area on wall surface at desired or specified location. Remove tank and place unit on mounting surface making sure bracket is level, transfer mounting points. Drill pilot holes and secure bracket to wall with proper fasteners per application. Fill tank with proper soap and install into bracket. Prime valve until soap flows freely. Close lid (shelf) and secure.

*It is not recommended to mount any soap dispenser on mirrors

** For best performance, use pre-mixed low concentrate solutions. Dispensers should have periodic maintenance performed to insure life of dispenser. Rinse out globe and valve with warm water to prevent sludge buildup.

Preventative Maintenance: Each dispenser should be flushed out aprx. Every 30 days with warm water to prevent valve from; clogging with old soap. Abrasive cleaners should not be used when wiping down dispenser.

NOTES

Formerly Model #: U122L



U1304 Soap Dispenser

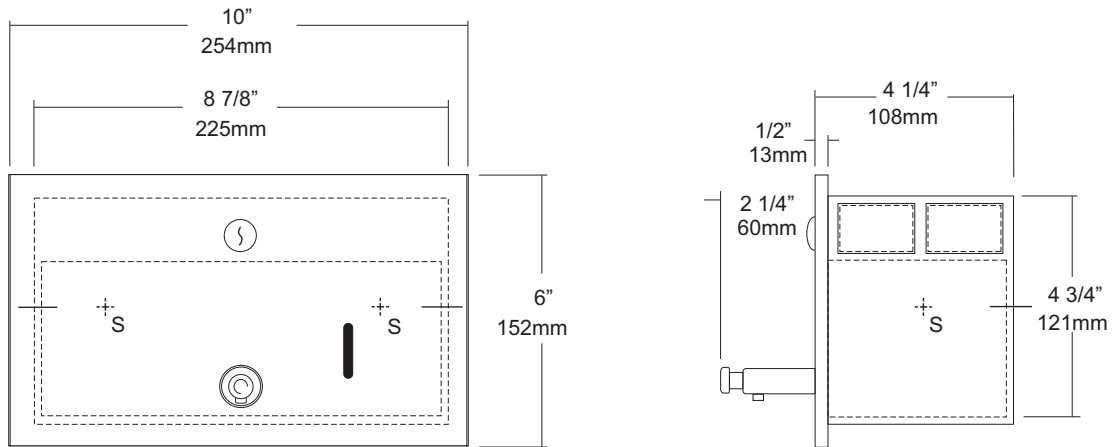
Revision 12/13

JOB #:

ITEM #:

QUANTITY:

MOUNTING	HANDING	TYPE	SIZE	OTHER



SPECIFICATIONS

Face Plate: Fabricated of #18 ga stainless steel with #4 satin finish, one piece construction with 1/2" returns to wall. Wall housing is fabricated of #22 ga pre-plated steel with 1/4" returns to wall for added rigidity. Soap capacity viewer is integral part of face plate.

Tank: Molded, translucent Lexon tank, shatterproof and corrosion resistant. Large opening for easy servicing and covered sides prevent spillage.

Valve: (U001) Theft resistant chrome on brass all purpose bellows type soap valve, with chrome on brass hex nut. Neoprene seals and a stainless return spring will provide a pre-measured, drip free dispensing system. Valve cannot be removed without taking hex nut off.

Lock: Pin tumbler, commercial quality type lock is keyed like all other AJW cabinets.

Overall Size: 10"W x 6"H x 4 1/4"D
253mm x 152mm x 108mm

Wall Opening: 9 1/8"W x 5 1/16"H x 4"D
232mm x 129mm x 102mm

Capacity: 56 fl ounces

INSTALLATION

Coordinate installation with architect and contractor to avoid interference with pipes vents etc. in wall. Remove face plate and install wall housing into wall opening with proper fasteners per application. Fill soap tank with proper soap and install into housing. Secure face plate and prime valve for dispensing soap.

Soaps: All purpose low viscosity lotions and liquid synthetic detergents or oils, and vegetable based soaps should be used.

Preventative Maintenance: Each dispenser should be cleaned out aprx every 30 days with warm water to prevent sludge build up from clogging valve. Do not use abrasive cleaners when cleaning dispenser.

**For best performance, use pre-mixed low concentrate solutions. Dispensers should have periodic maintenance performed to insure the life dispenser. Rinse out globe and valve with warm water to avoid sludge buildup.

NOTES

Formerly Model #: U130A



U133 Soap Dispenser

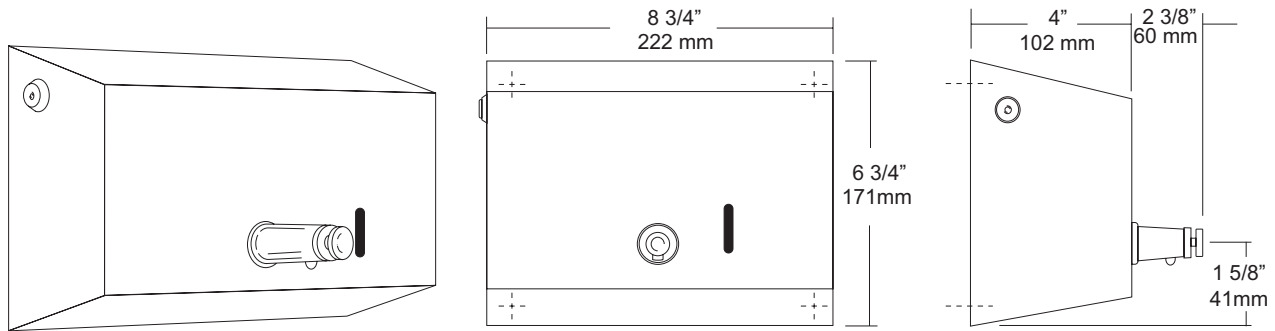
Revision 03/12

JOB #:

ITEM #:

QUANTITY:

MOUNTING	HANDING	TYPE	SIZE	OTHER



SPECIFICATIONS

Cover: Fabricated of #20 ga stainless steel with #4 satin finish. unibody design with sloped cover and refill indicator provide a heavy duty one piece cover.

Tank: Molded, translucent Lexon tank, shatterproof and corrosion resistant. Large opening for easy servicing and covered sides prevent spillage.

Valve: (U001-TAP) Theft resistant chrome on brass all purpose bellows type soap valve, with chrome on brass hex nut. Neoprene seals and a stainless return spring will provide a pre-measured, drip free dispensing system. Valve cannot be removed without taking hex nut off.

Hinges: Full length, heavy duty, stainless steel piano type hinge.

Lock: Pin tumbler, commercial quality type lock is keyed like all other AJW cabinets.

Overall Size: 8 3/4"W x 6 3/4"H x 6 3/8"D

222mm x 171mm x 161mm

Capacity: 56 fl ounces

INSTALLATION

Coordinate installation with architect and contractor to avoid interference with pipes vents etc. in wall. Place unit on wall surface and make sure unit is level. Open cabinet and transfer mounting points. Drill pilot holes and secure with proper fasteners per application. Fill Lexon tank with proper soap. Close cabinet and secure with key.

Soaps: All purpose low viscosity lotions and liquid synthetic detergents or oils, and vegetable based soaps should be used.

Preventative Maintenance: Each dispenser should be cleaned out aprx every 30 days with warm water to prevent sludge build up from clogging valve. Do not use abrasive cleaners when cleaning dispenser.

*It is not recommended to mount any soap dispenser on mirrors

**For best performance, use pre-mixed low concentrate solutions. Dispensers should have periodic maintenance performed to insure the life dispenser. Rinse out globe and valve with warm water to avoid sludge buildup.

NOTES



U134EA
Hands Free Soap Dispenser

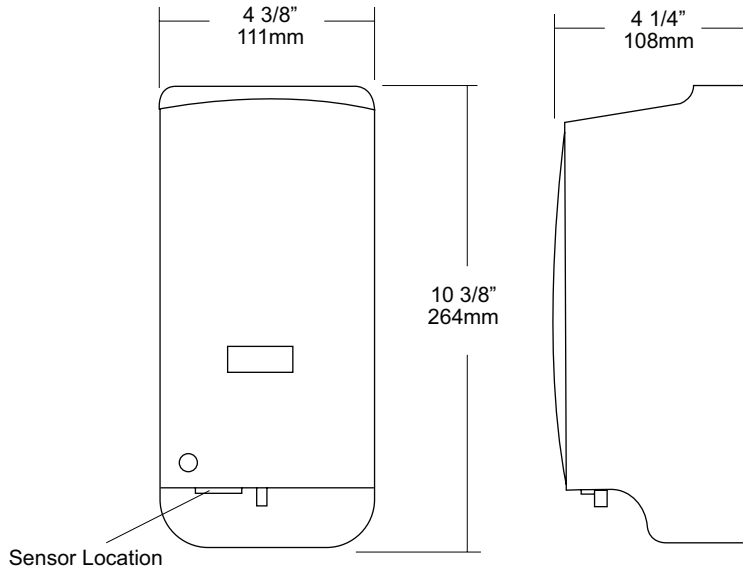
Revision 03/11

JOB #:

ITEM #:

QUANTITY:

MOUNTING	HANDING	TYPE	SIZE	OTHER



SPECIFICATIONS

Body & Back: Fabricated of white high impact plastic material with a smooth design and curves. Hidden security locking mechanism prevents vandalism. (Special key provided) Cover is equipped with a clear viewer to allow a constant soap level check.

Bottle: Convenient filler cap on bottle allows easy servicing of dispenser. Bottle is equipped with flexible valve assembly. (Bag in a box not required)

Sensor: Hands free sensor provides easy operation by passing hands through activation field. A pre-measured amount of soap will dispense. Unit is operated by three (3) "C" batteries, not provided, Alkaline batteries are recommended for best performance. When properly mounted dispenser will comply with ADA code. Green light indicates power, red light indicates low battery

Overall Size: 4 3/8"W x 10 3/8"H x 4 1/4"D

111mm x 264mm x 108mm

Capacity: 1000ml (aprx 40oz)

INSTALLATION

If mounting on wall surface, transfer mounting hole dimensions from back of unit to wall surface. Drill pilot holes and secure unit to surface with proper fasteners. Sensor cannot be any higher than 40" above finished floor to comply with ADA code.

*It is not recommended to mount any soap dispenser on mirrors

**For best performance, use pre-mixed low concentrate solutions. Dispensers should have periodic maintenance performed to insure the life of the dispenser. Rinse out bottle and valve with warm water to prevent sludge buildup.

Preventative Maintenance: Each dispenser should be flushed out aprx. Every 30 days with warm water to prevent valve from clogging with old soap. Do not use abrasive cleaners to clean dispenser.

NOTES



U135EA

Hands Free Soap Dispenser

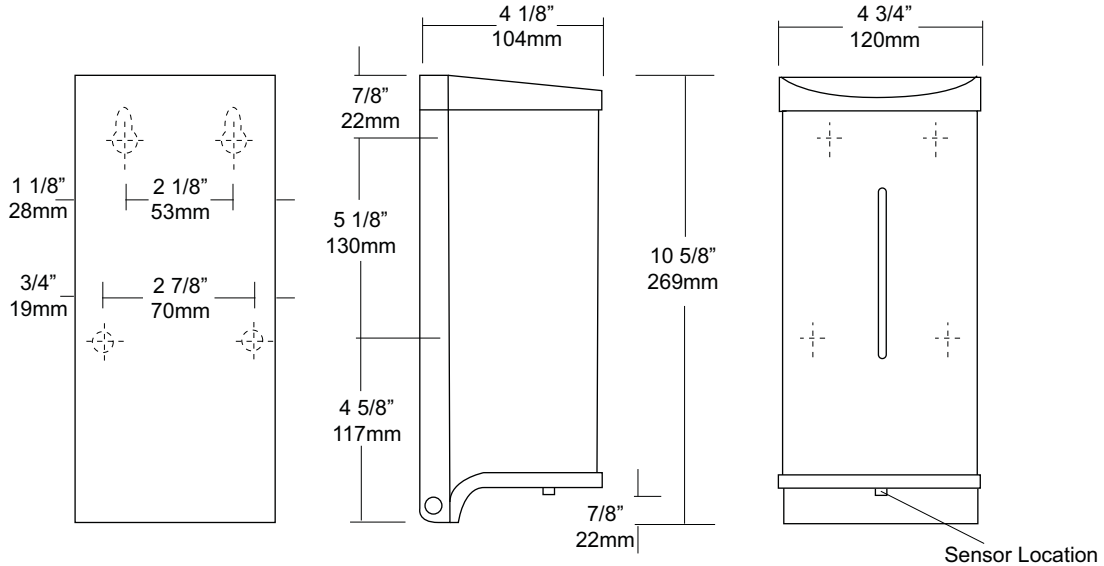
Revision 05/14

JOB #:

ITEM #:

QUANTITY:

MOUNTING	HANDING	TYPE	SIZE	OTHER



SPECIFICATIONS

Cover: Fabricated of stainless steel with #4 satin finish with a refill indicator on face of unit to provide a constant fluid level check.

Cap & Base: high impact black plastic with radius leading edges.

Sensor: Hands free application allows 1 - 1.5 Cc's (one drop) per dispensing cycle. LED flashes three (3) times means stand by for dispensing. When the LED flashes blue this indicates battery is low. Requires 4 AA batteries (not included). Alkaline type batteries recommended to provide maximum operation without changing batteries.

Soap Container: High capacity 800ml translucent plastic tank with flexible valve stem. Globe is equipped with large filler cap for easy servicing.

Lock: Vandal resistant security lock and key.

Overall Size: 4 3/4"W x 10 5/8"H x 4 1/8"D
121mm x 271mm x 105mm

INSTALLATION

If mounting on wall surface, transfer mounting hole dimensions from back of unit to wall surface. Drill pilot holes and secure unit to surface with proper fasteners. Sensor cannot be any higher than 40" above finished floor to comply with ADA code.

*It is not recommended to mount any soap dispenser on mirrors

**For best performance, use pre-mixed low concentrate solutions. Dispensers should have periodic maintenance performed to insure the life of the dispenser. Rinse out bottle and valve with warm water to prevent sludge buildup.

Preventative Maintenance: Each dispenser should be flushed out aprx. Every 30 days with warm water to prevent valve from clogging with old soap. Do not use abrasive cleaners to clean dispenser.

NOTES



U136EA

Hands Free Soap Dispenser

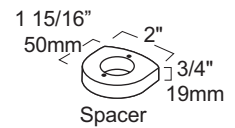
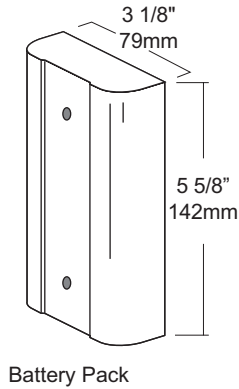
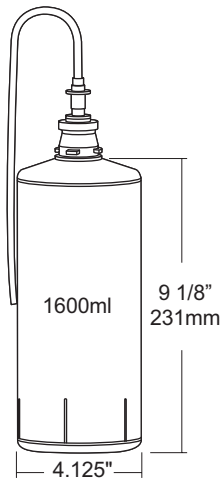
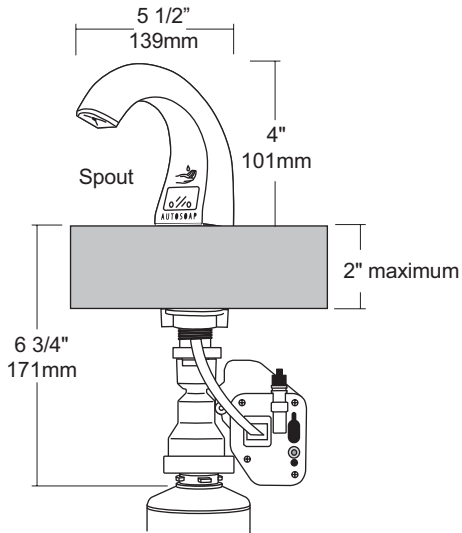
Revision 06/12

JOB #:

ITEM #:

QUANTITY:

MOUNTING	HANDING	TYPE	SIZE	OTHER



SPECIFICATIONS

Spout Assembly: Chrome and black plated ABS spout with automatic dispenser.

Shank Assembly: Black ABS high impact material. Requires a 1" diameter in counter top with a maximum thickness of 2". Optional spacer included if sink rim is 3/4" high or greater,

Electronics: Automatic sensor detects users hand to dispense a pre-determined amount LED light Indicator for low battery and low soap capacity. Four (4) D Alkaline batteries self contained motor assembly under counter. Average battery life 100 refills or 2 years.

Replaceable Containers: Self contained soap refills eliminate cross contamination, spills and lost service keys.

Capacity: Self contained non-refillable bottle with a capacity of aprx, 2000 hand washes per bottle, included with unit (lotion soap).

Overall Size: 5 1/2"D x 4 1/4"H (above vanity)

140mm x 108mm

INSTALLATION

If mounting on wall surface, transfer mounting hole dimensions from back of unit to wall surface. Drill pilot holes and secure unit to surface with proper fasteners. Sensor cannot be any higher than 40" above finished floor to comply with ADA code.

NOTES

Formerly Model #: U1800EA



U144

Soap Dispenser

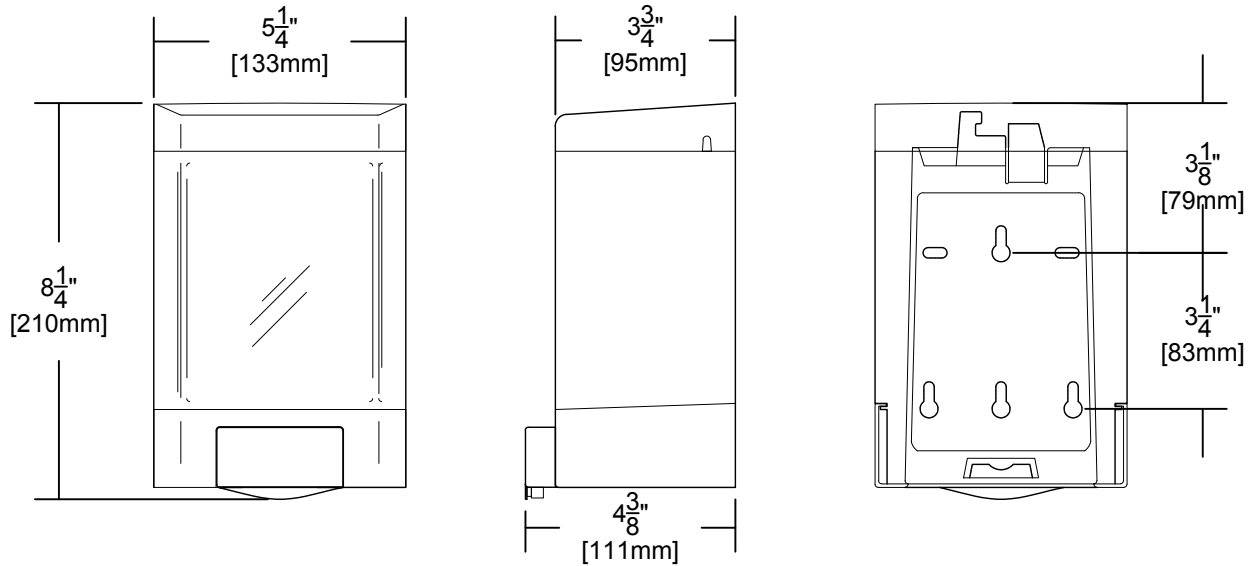
Revision 09/15

JOB #:

ITEM #:

QUANTITY:

MOUNTING	HANDING	TYPE	SIZE	OTHER



SPECIFICATIONS

Soap Tank: Fabricated of translucent high impact ABS material with a smooth curved design.

Body & Cover: Fabricated of white high impact plastic material. Hidden security locking mechanism prevents vandalism. Large convenient filler cap allows easy servicing of dispenser.

Valve: Fabricated of high impact plastic material that will dispense most liquids, lotions, and hand sanitizers (NOT pumice soaps or foam soaps). Large push button allows easy one hand operation that requires less than 5 lbs of force to operate. When properly mounted dispenser will comply with ADA code.

Overall Size: $5\frac{1}{4}$ "W x $8\frac{1}{4}$ "H x $4\frac{3}{8}$ "D (Wall to Valve)
133mm x 210mm x 111mm

Capacity: 46 fluid oz.

INSTALLATION

If mounting on wall surface, transfer mounting hole dimensions from back of unit to wall surface. Drill pilot holes and secure unit to surface with proper fasteners. Sensor cannot be any higher than 40" Above finished floor to comply with ADA code.

* It is not recommended to mount any soap dispenser on mirrors

** For best performance, use pre-mixed low concentrate solutions. Dispensers should have periodic maintenance performed to insure the life of the dispenser. Rinse out bottle and valve with warm water to prevent sludge buildup.

Preventative Maintenance: Each dispenser should be flushed out approx. Every 30 days with warm water to prevent valve from clogging with old soap. Do not use abrasive cleaners to clean dispenser.

NOTES



UX80-BF

Soap Dish

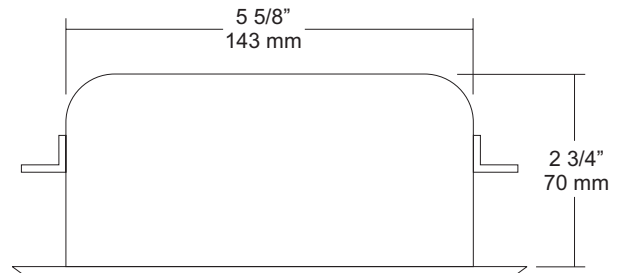
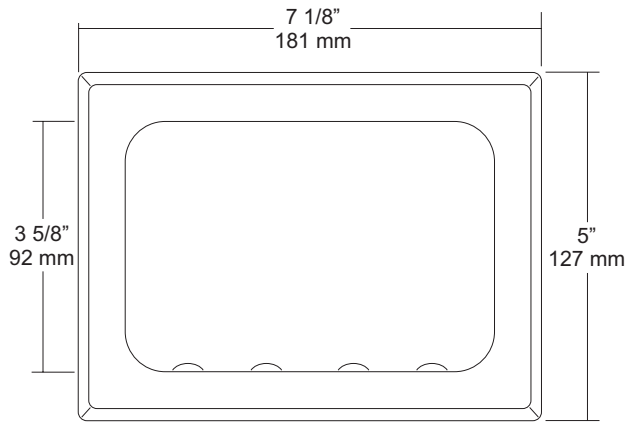
Revision 03/11

JOB #:

ITEM #:

QUANTITY:

MOUNTING	HANDING	TYPE	SIZE	OTHER



SPECIFICATIONS	INSTALLATION
----------------	--------------

Soap Dish Shell: Fabricated of one piece stamped construction of #18 gauge stainless steel. Standard soap dish has a bright finish outer flange that has a beveled edge. Concealed side mounting clamps are provided for mortar.

Soap Tray: Internal part of shell where the soap rests on has stamped dimples to allow airflow under soap to prevent soap from sticking to dish.

Bar: Fabricated of bright stainless steel 3/16" thick.

Overall Size: 7 1/8"W x 5"H x 2 3/4"D

181mm x 127mm x 70mm

Wall Opening: 5 5/8"W x 3 3/4"H x 3"D

142mm x 95mm x 76mm

UX80-SF: Same as UX80-BF with satin finish.

Coordinate wall opening at desired or specified location with contractor / architect to avoid wiring, pipes, etc. in wall. Place concealed mounting clamp and dish in wall opening. Tighten fasteners to clamp to secure in place.

NOTES



UX81-BF

Soap Dish

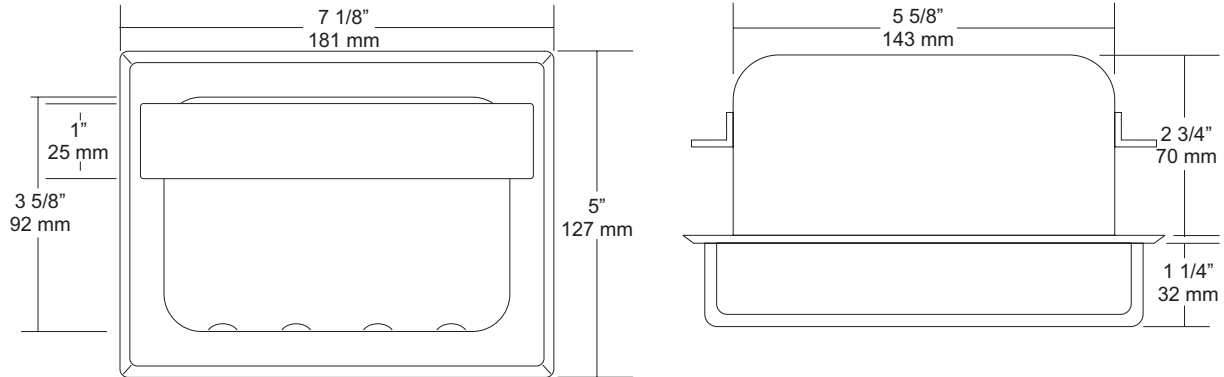
Revision 03/11

JOB #:

ITEM #:

QUANTITY:

MOUNTING	HANDING	TYPE	SIZE	OTHER



SPECIFICATIONS

Soap Dish Shell: Fabricated of one piece stamped construction of #18 gauge stainless steel. Standard soap dish has a bright finish outer flange that has a beveled edge. Concealed side mounting clamps are provided for mortar.

Soap Tray: Internal part of shell where the soap rests on has stamped dimples to allow airflow under soap to prevent soap from sticking to dish.

Bar: Fabricated of bright stainless steel 3/16" thick.

Overall Size: 7 1/8"W x 5"H x 4"D

181mm x 127mm x 102mm

Wall Opening: 5 5/8"W x 3 3/4"H x 3"D

142mm x 95mm x 76mm

UX81-SF: Same as UX81-BF with satin finish.

INSTALLATION

Coordinate wall opening at desired or specified location with contractor / architect to avoid wiring, pipes, etc. in wall. Place concealed mounting clamp and dish in wall opening. Tighten fasteners to clamp to secure in place.

Note: Bar is not fabricated to support a person's weight.

NOTES



UX82-BF

Soap Dish

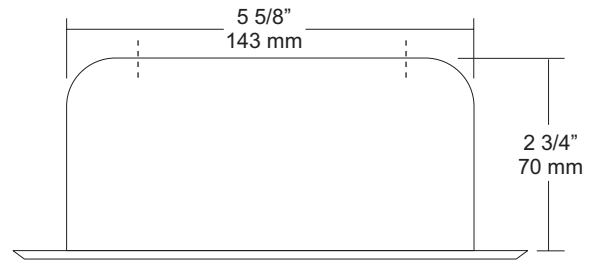
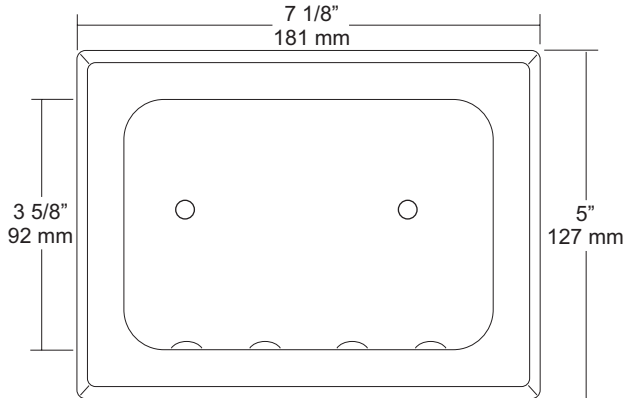
Revision 02/12

JOB #:

ITEM #:

QUANTITY:

MOUNTING	HANDING	TYPE	SIZE	OTHER



SPECIFICATIONS

Soap Dish Shell: Fabricated of one piece stamped construction of #18 gauge stainless steel with 2 exposed mounting points. Standard soap dish has a bright finish outer flange that has a beveled edge. Concealed side mounting clamps are provided for mortar.

Soap Tray: Internal part of shell where the soap rests on has stamped dimples to allow airflow under soap to prevent soap from sticking to dish.

Overall Size: 7 1/8"W x 5"H x 2 3/4"D

181mm x 127mm x 70mm

Wall Opening: 5 5/8"W x 3 3/4"H x 3"D

142mm x 95mm x 76mm

UX82-SF: Same as UX82-BF with satin finish.

INSTALLATION

Coordinate wall opening at desired or specified location with contractor / architect to avoid wiring, pipes, etc. in wall. Place concealed mounting clamp and dish in wall opening. Tighten fasteners to clamp to secure in place.

Clamps:

"A": Mounting clamp for stud walls.

NOTES

Formerly Model #: UX80H



UX83-BF

Soap Dish

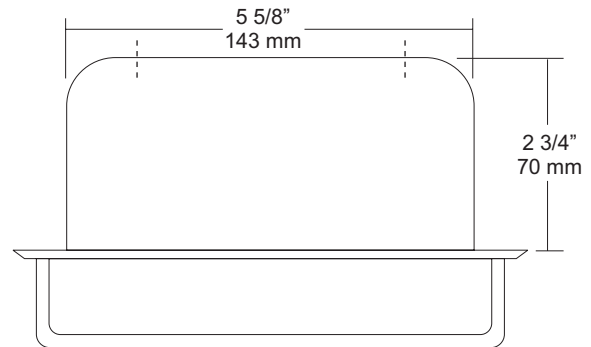
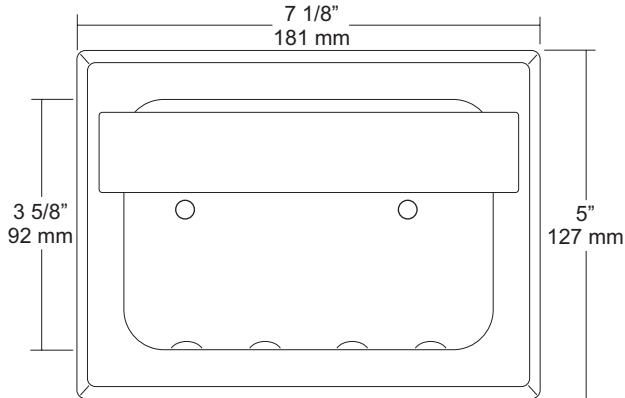
Revision 03/11

JOB #:

ITEM #:

QUANTITY:

MOUNTING	HANDING	TYPE	SIZE	OTHER



SPECIFICATIONS

Soap Dish Shell: Fabricated of one piece stamped construction of #18 gauge stainless steel with 2 exposed mounting points. Standard soap dish has a bright finish outer flange that has a beveled edge.

Soap Tray: Internal part of shell where the soap rests on has stamped dimples to allow airflow under soap to prevent soap from sticking to dish.

Bar: Fabricated of bright stainless steel 3/16" thick.

Overall Size: 7 1/8"W x 5"H x 4"D

181mm x 127mm x 102mm

Wall Opening: 5 5/8"W x 3 3/4"H x 3"D

142mm x 95mm x 76mm

UX83-SF: Same as UX83-BF with satin finish.

INSTALLATION

Coordinate wall opening at desired or specified location with contractor / architect to avoid wiring, pipes, etc. in wall. Place concealed mounting clamp and dish in wall opening. Tighten fasteners to clamp to secure in place.

Clamps:

"A": Mounting clamp for stud walls.

Note: Bar is not fabricated to support a persons weight.

NOTES

Formerly Model #: UX81H