

date  
projectname  
attn  
from  
fax  
email  
phone

10/31/2019  
yaty  
meso  
ac  
50689789  
meso@pinga.com  
5067894567



# U144

Soap Dispenser

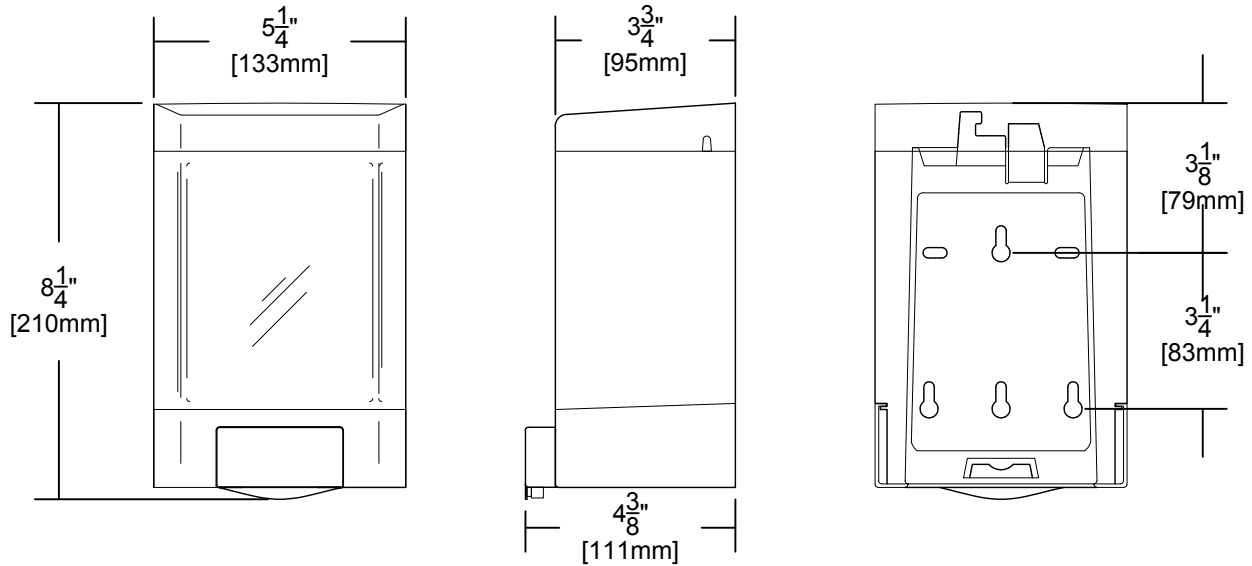
Revision 09/15

JOB #:

ITEM #:

QUANTITY:

MOUNTING	HANDING	TYPE	SIZE	OTHER



## SPECIFICATIONS

**Soap Tank:** Fabricated of translucent high impact ABS material with a smooth curved design.

**Body & Cover:** Fabricated of white high impact plastic material. Hidden security locking mechanism prevents vandalism. Large convenient filler cap allows easy servicing of dispenser.

**Valve:** Fabricated of high impact plastic material that will dispense most liquids, lotions, and hand sanitizers (NOT pumice soaps or foam soaps). Large push button allows easy one hand operation that requires less than 5 lbs of force to operate. When properly mounted dispenser will comply with ADA code.

**Overall Size:**  $5\frac{1}{4}$ "W x  $8\frac{1}{4}$ "H x  $4\frac{3}{8}$ "D (Wall to Valve)  
**133mm x 210mm x 111mm**

**Capacity:** 46 fluid oz.

## INSTALLATION

If mounting on wall surface, transfer mounting hole dimensions from back of unit to wall surface. Drill pilot holes and secure unit to surface with proper fasteners. Sensor cannot be any higher than 40" Above finished floor to comply with ADA code.

\* It is not recommended to mount any soap dispenser on mirrors

\*\* For best performance, use pre-mixed low concentrate solutions. Dispensers should have periodic maintenance performed to insure the life of the dispenser. Rinse out bottle and valve with warm water to prevent sludge buildup.

Preventative Maintenance: Each dispenser should be flushed out approx. Every 30 days with warm water to prevent valve from clogging with old soap. Do not use abrasive cleaners to clean dispenser.

## NOTES



# U199AW

Roll Towel Dispenser

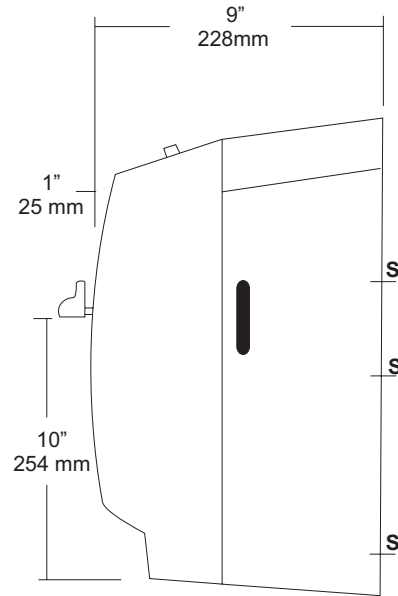
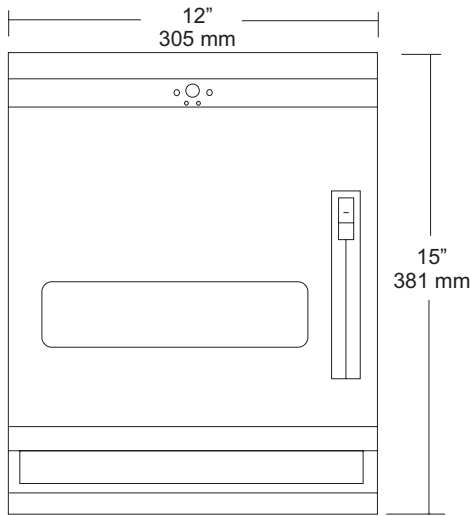
Revision 01/12

JOB #:

ITEM #:

QUANTITY:

MOUNTING	HANDING	TYPE	SIZE	OTHER



## SPECIFICATIONS

**Cabinet Body:** #20 ga baked white enamel steel, formed for rigidity with multiple mounting points located on back.

**Door:** High impact white plastic with a full width viewer for towel capacity indicator. Cabinet door is secured with special key.

**Mechanism:** Internal mechanism is fabricated of high impact plastic and #20 ga steel. Cabinet has the capacity for one stub roll. Lever is operational with one hand without any tight grasping or turning of wrist and require less than 5 lbs of force to operate. A removable pin allows mechanism an option adjustable setting that provides three pre-determined towel lengths to be dispensed.

**Overall Size:** 12"W x 15"H x 10 1/2"D

**305mm x 381mm x 267mm**

**Capacity:** One standard size roll of 8" or 9" wide. (Use only non-perforated towels). One stub roll up to 2 3/4" OD

**\*600ft roll recommended for best results.**

## INSTALLATION

Provide an area at specified or desired location. Open cabinet and hold unit on wall surface. Making sure unit is level transfer mounting point locations to wall surface and drill pilot holes. Secure cabinet with proper fasteners per application. Load paper towels and feed through rollers per instructions on label inside cabinet. Close cabinet and test cabinet for proper towel length and dispensing operation.

Controls should be operable with one hand and force required to operate must be less than 5 lbs. (4.27.4)

## NOTES



# U701 Series Frameless Mirror

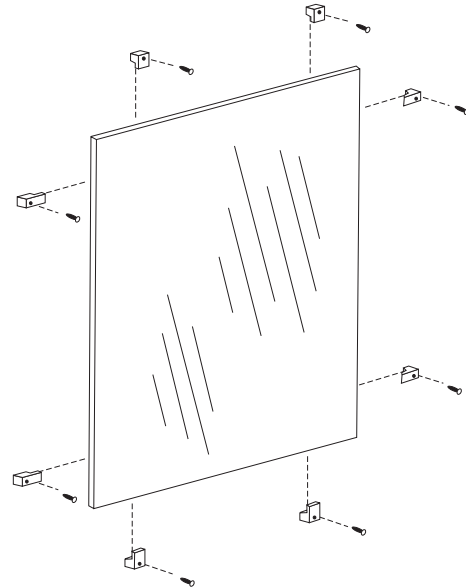
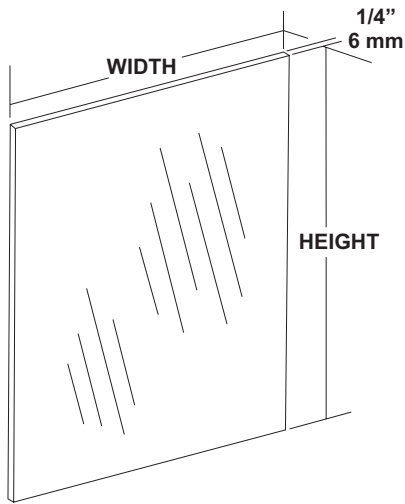
Revision 01/13

JOB #:

ITEM #:

QUANTITY:

MOUNTING	HANDING	TYPE	SIZE	OTHER



## SPECIFICATIONS

**Mirror:** 1/4" thick type 1 transparent flat type, class 1 - clear glass mirrors. Mirror is coated with silver and sealed with a uniform electrolytic copper plating, along with two coats of paint for added protection. All frameless mirrors have polished edges. Mirrors are guaranteed against silver spoilage for a period of 15 years. Mirrors conform to ASTM C1036 and ASTM C1503-R8.

**Recommended size one piece glass is 96" x 96"**

### Optional Surfaces and Sizes:

- PM: Plastic Mirrors (96" x 48" max size)
- LG: Laminated Glass (96" x 48" max size)
- BE: Beveled Edge Mirror: 1/4" plate glass with 1/2" Beveled Edge (72" x 60" max size)
- VC: Vinyl Clad (96" x 96")

**\*NOTE:** For oversized mirrors, recommend using U717 "J" mold style mirrors (Bottom, Top & Bottom or 4 sided) See U717 tech data sheet for more information.

### Mounting Options:

- CL: Lucite Mirror Clips: (6 clips per pack)
- SCL: Stainless Steel Clips: (6 clips per pack)
- BCL: Lucite Mirror clips for beveled edge mirrors.

**These Mirrors are always ordered Width x Height**

**Frameless mirrors are fabricated to a tolerance of  $\pm 1/16"$   
Mirrors conform to Federal specification DD-M-00411b.**

## INSTALLATION

Provide an area on wall surface at desired or specified location. Select the proper clips for mounting. Mount the bottom clips approx. 1" in from each side of the overall width of the mirror. Place a level across the clips to make sure mirror will be level. Place glass on clips and check with level again. Follow same procedures for other clips. For oversized glass, it is recommended to have a minimum of a bottom "J" mold style mounting frame.

**\*Note:** Recommend 8 sq ft of glass per 1 pack of plastic clips. 8 sq ft of glass for stainless clips. The bottom reflective surface edge must be mounted 40" above finished floor to comply with ADA code, 4.19.6.

## NOTES



# UB16

Heavy Duty Chrome Coat Hook

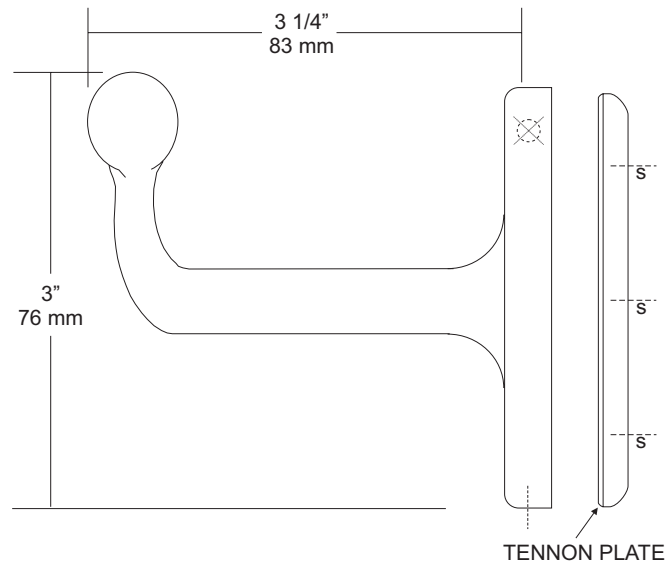
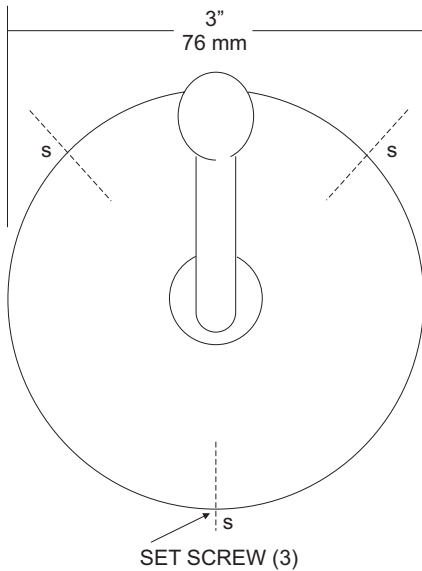
Revision 03/11

JOB #:

ITEM #:

QUANTITY:

MOUNTING	HANDING	TYPE	SIZE	OTHER



### SPECIFICATIONS

**UB Accessories:** Fabricated of forged brass with a nickel and copper plating of chrome coating. In compliance with all standard commercial and government standards. Three (3) set screws will secure mounting flange to tenon plate providing a concealed mount.

**Overall Size:** 3"OD x 3"H x 3 1/4"D

**76mm x 76mm x 83mm**

### INSTALLATION

Place tenon plate to wall surface and transfer mounting point locations. Drill pilot holes and secure tenon plate with proper fasteners per application. Place hook around tenon plate making sure hook is aligned properly. Secure flange to tenon plate with three (3) set screws.

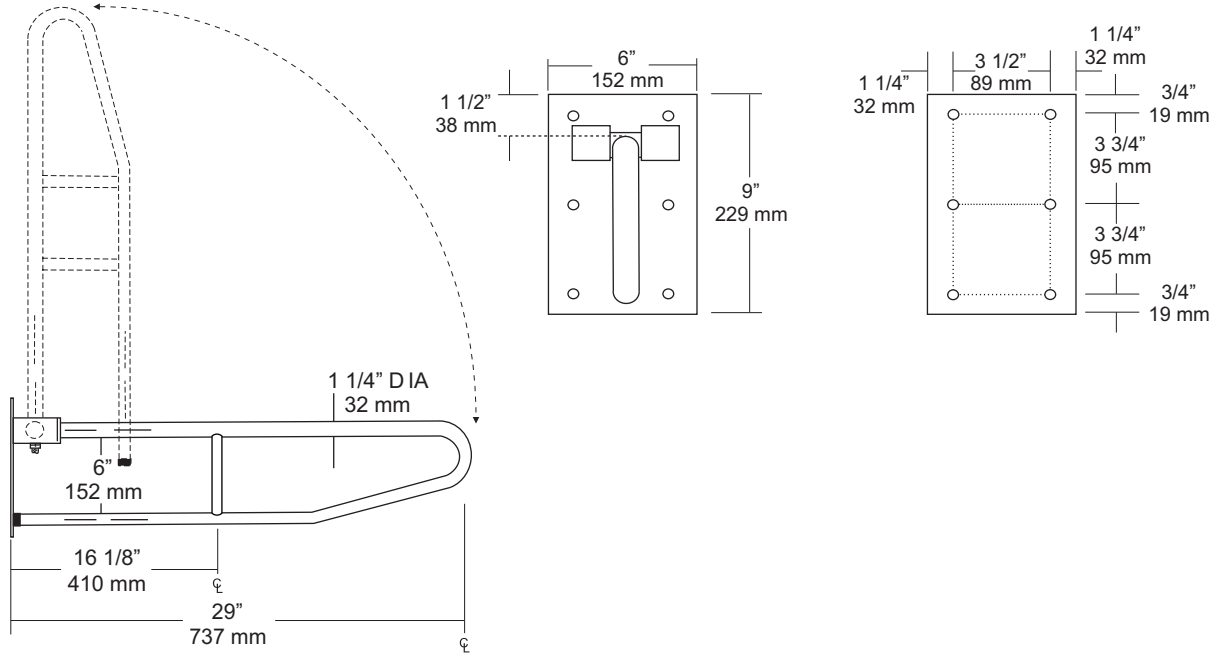
### NOTES

JOB #:

ITEM #:

QUANTITY:

MOUNTING	HANDING	TYPE	SIZE	OTHER



### SPECIFICATIONS

**Mounting Plate:** Fabricated of #11 ga stainless steel, #4 satin finish with 6, 1/4" dia exposed mounting points.

**Bar:** #18 ga, 1 1/4" diameter, stainless steel with a #4 satin finish. All bends formed by an automatic mandrel bending process which maintains a uniform bar diameter around bends.

**Gripping Surface:** Standard surface is satin finish. Use suffix X for peened grip. (Anti-slip)

**Intermediate Supports:** Same material as bar with contour cuts that are heliarc welded.

**Pivot Brackets:** Dual supports fabricated of #18 ga square stainless steel tube with capped ends.

**Tension Control Mechanism:** An adjustable clutch to control the amount of tension on the bar required to raise and lower the bar. This prevents bar from falling when in the up-right position.

**Check all state and local building codes for proper mounting heights and locations. ADA code specifies 33"-36" above finished floor for maximum mounting height.**

**When properly mounted, swing-up type bar will sustain a static load of 250 lbs.**

**Finish:**

-PC: White Powder Coat

### INSTALLATION

**Installation:** Coordinate installation with architect and contractor to avoid interference with toilet, stall doors, etc. Place unit on wall surface making sure unit is level, transfer mounting points and drill pilot holes. Secure unit with proper fasteners per application.

### NOTES



# US40

Security Hook Strip Exposed Mount

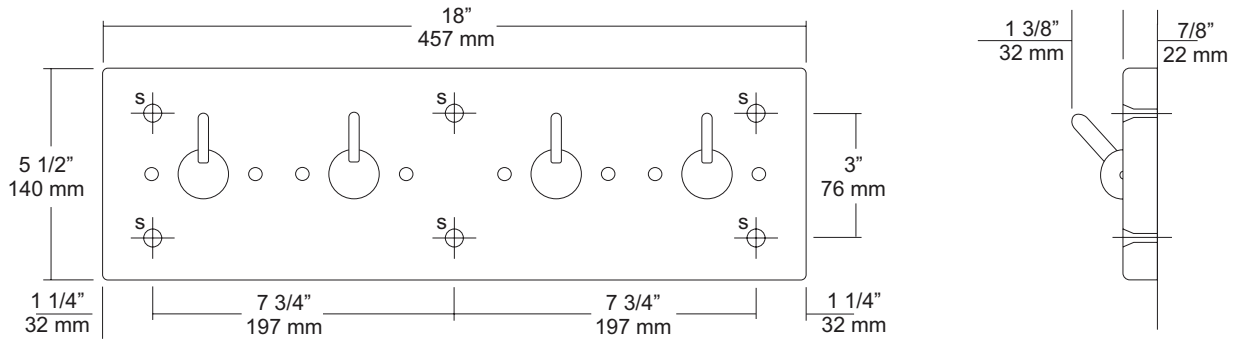
Revision 03/11

JOB #:

ITEM #:

QUANTITY:

MOUNTING	HANDING	TYPE	SIZE	OTHER



SPECIFICATIONS	INSTALLATION
----------------	--------------

**Mounting Strip:** Fabricated of #14 gauge stainless steel with a #4 satin finish. Six (6) exposed mounting points secure unit to wall surface.

**Hooks:** Collapsible hooks are fabricated of stainless steel with a pivoting ball joint that will collapse when excessive weight is applied. (Aprx. 35 lbs.)

**Overall Size:** 18"W x 5 1/2"H x 2 1/4" (Wall to hook)  
**457mm x 140mm x 54mm**

Place strip on wall surface making sure unit is level at desired or specified location. Transfer mounting points and drill pilot holes for fasteners. Secure unit with proper fasteners per each application. (Fasteners not included).

**NOTES**