

date
projectname
attn
from
fax
email
phone

6-6
427 Biltmore
Kim
Kim

kim@allspecialtysales.com



U701 Series

Frameless Mirror

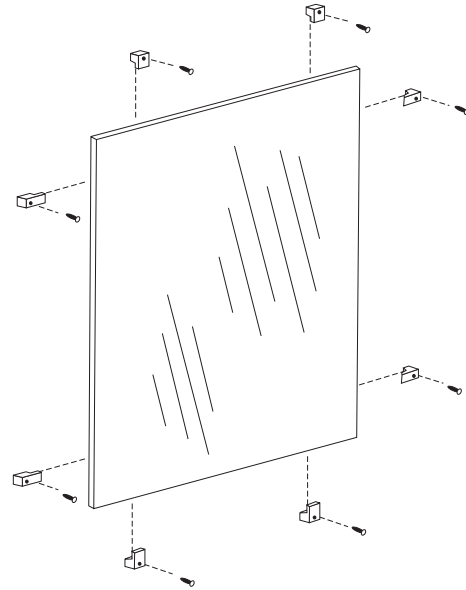
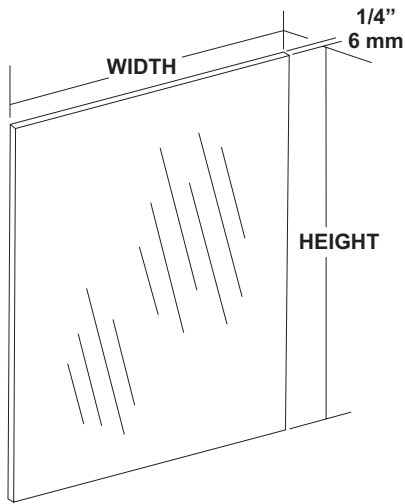
Revision 01/13

JOB #:

ITEM #:

QUANTITY:

MOUNTING	HANDING	TYPE	SIZE	OTHER



SPECIFICATIONS

Mirror: 1/4" thick type 1 transparent flat type, class 1 - clear glass mirrors. Mirror is coated with silver and sealed with a uniform electrolytic copper plating, along with two coats of paint for added protection. All frameless mirrors have polished edges. Mirrors are guaranteed against silver spoilage for a period of 15 years. Mirrors conform to ASTM C1036 and ASTM C1503-R8.

Recommended size one piece glass is 96" x 96"

Optional Surfaces and Sizes:

- PM: Plastic Mirrors (96" x 48" max size)
- LG: Laminated Glass (96" x 48" max size)
- BE: Beveled Edge Mirror: 1/4" plate glass with 1/2" Beveled Edge (72" x 60" max size)
- VC: Vinyl Clad (96" x 96")

***NOTE:** For oversized mirrors, recommend using U717 "J" mold style mirrors (Bottom, Top & Bottom or 4 sided) See U717 tech data sheet for more information.

Mounting Options:

- CL: Lucite Mirror Clips: (6 clips per pack)
- SCL: Stainless Steel Clips: (6 clips per pack)
- BCL: Lucite Mirror clips for beveled edge mirrors.

These Mirrors are always ordered Width x Height

Frameless mirrors are fabricated to a tolerance of ± 1/16"
Mirrors conform to Federal specification DD-M-00411b.

INSTALLATION

Provide an area on wall surface at desired or specified location. Select the proper clips for mounting. Mount the bottom clips approx. 1" in from each side of the overall width of the mirror. Place a level across the clips to make sure mirror will be level. Place glass on clips and check with level again. Follow same procedures for other clips. For oversized glass, it is recommended to have a minimum of a bottom "J" mold style mounting frame.

***Note:** Recommend 8 sq ft of glass per 1 pack of plastic clips. 8 sq ft of glass for stainless clips. The bottom reflective surface edge must be mounted 40" above finished floor to comply with ADA code, 4.19.6.

NOTES