

date
projectname
attn
from
fax
email
phone

5/11/16
G
G



U730-1622-SM

Medicine Cabinet

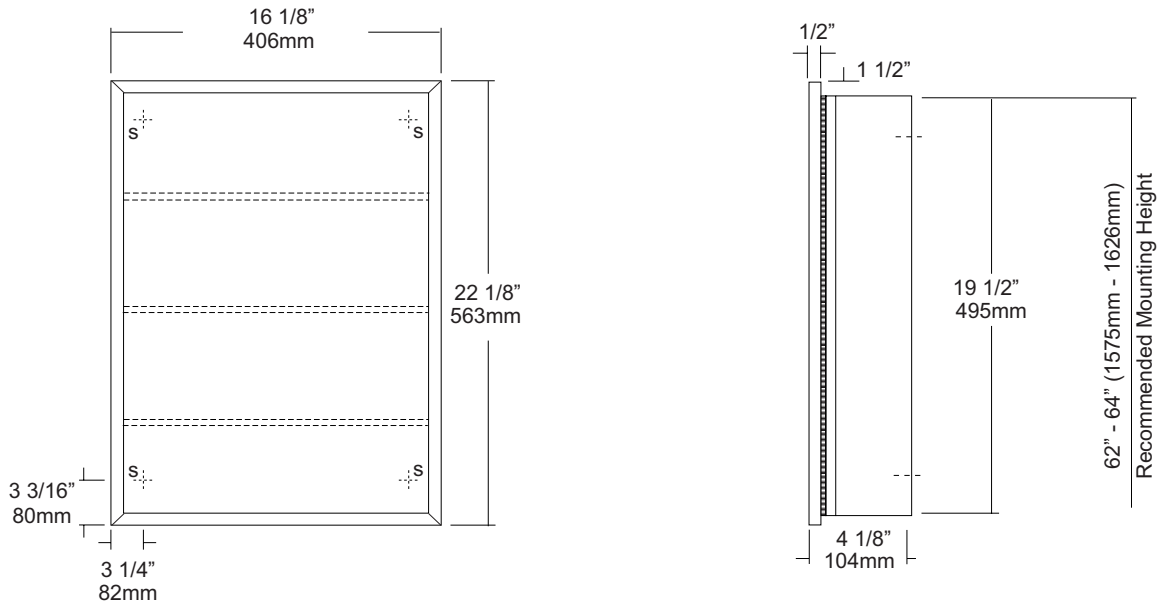
Revision 11/11

JOB #:

ITEM #:

QUANTITY:

MOUNTING	HANDING	TYPE	SIZE	OTHER



SPECIFICATIONS

- Body:** Fabricated of one piece steel construction, oven baked enamel finish. Integral louvers to accommodate adjustable shelves.
- Shelving:** Steel construction to match cabinet body with all edges deburred to prevent injury.
- Mirror Door:** Float plate glass, silver coated and sealed electrolytic copper plating. Door is secured by means of a magnetic catch.
- Frame:** Bright finish stainless steel frame, 1/4" x 1/2" x 1/4" with exposed mitres.
- Hinges:** Heavy duty piano type hinges.
- Shelving:** 2 adjustable
- Overall Size:** 16 1/8"W x 22 1/8"H x 4 1/8"D
- 406mm x 563mm x 104mm**

INSTALLATION

Place unit in wall opening, making sure unit is level. Place SM cabinet to wall surface making sure cabinet is level. Transfer mounting points and drill pilot holes. Secure unit with proper fasteners per application. Cabinet can be mounted to have a left hand or right hand swing door. To comply with ADA code, one usable shelf must be mounted no higher than 44" above finished floor. (4.2.4)

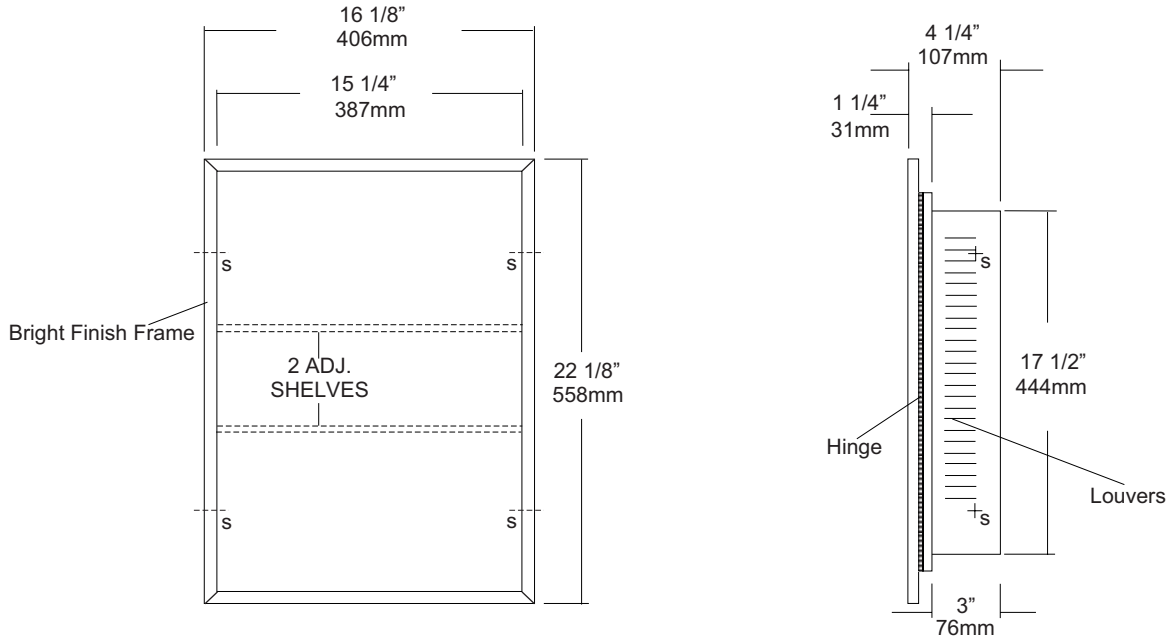
NOTES

JOB #:

ITEM #:

QUANTITY:

MOUNTING	HANDING	TYPE	SIZE	OTHER



SPECIFICATIONS

Body: Fabricated of one piece steel construction, oven baked enamel finish. Integral louvers to accommodate adjustable shelves.

Shelving: Steel construction to match cabinet body with all edges deburred to prevent injury.

Mirror Door: Float plate glass, silver coated and sealed electrolytic copper plating. Door is secured by means of a magnetic catch.

Frame: Bright finish stainless steel frame, 1/4" x 1/2" x 1/4" with exposed mitres.

Hinges: Heavy duty piano type hinges.

Overall Size: 16 1/8"W x 22 1/8"H x 4 1/4"D
406mm x 558mm x 107mm

Wall Opening: 14"W x 18"H x 3"D
355mm x 457mm x 82mm

Shelving: 2 adjustable shelves

INSTALLATION

Coordinate installation with architect and contractor. Provide a wall opening 14"W x 18"H 3"D Insert cabinet into opening making sure cabinet is level and door will remain open until you manually close it. Secure cabinet with proper fasteners per application. After cabinet checks good, install adjustable shelving. Unit can be mounted to have a right hand or left hand swing door.

To comply with ADA code, one usable shelf must be mounted no higher than 44" above finished floor. (4.2.4)

NOTES