

date
projectname
attn
from
fax
email
phone

5/12/20
LAKELAND UTILITIES
SQUARE 10 SOURCE

kbatronie@square10source.com
813-425-5868



U124
Soap Dispenser

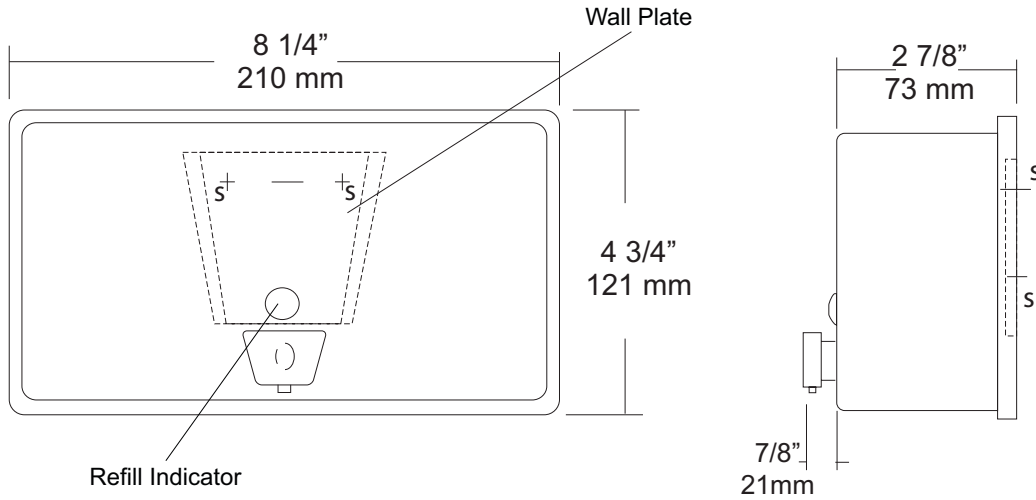
Revision 11/14

JOB #:

ITEM #:

QUANTITY:

MOUNTING	HANDING	TYPE	SIZE	OTHER



SPECIFICATIONS

Soap Tank: Fabricated of #20 ga stainless steel, #4 satin finish, fully welded one-piece construction.

Valve: All purpose antibacterial soap valve cylinder, black molded plastic push style valve that takes less than 5 lbs of force and one hand to operate complies with barrier free guidelines when mounted at proper height.

Viewer: Clear plastic window allows a constant fluid level check.

Concealed Mounting Plate: Fabricated of heavy gauge stainless steel.

Filler Cap: Fabricated of stainless steel, hinged to allow easy servicing, secured with special key that creates a vandal resistant dispenser.

Overall Size: 8 1/4"W x 4 3/4"H x 3 3/4"D
210mm x 121mm x 95mm (Horizontal Mounting)

Capacity: 40 oz.

Recommend type soaps without chloric solutions for proper operation.

INSTALLATION

Provide an area on mounting surface at desired or specified location. Secure concealed mounting plate to wall surface with proper fasteners. Slide dispenser down over mounting plate and secure by means of set screw located inside tank. Fill unit with proper soap. Close lid and secure with special key. Test valve for proper operation.

*It is not recommended to mount any soap dispenser on mirrors

**For best performance, use pre-mixed low concentrate solutions. Dispensers should have periodic maintenance performed to insure the life dispenser. Rinse out globe and valve with warm water to avoid sludge buildup.

Preventative Maintenance: Each dispenser should be flushed out aprx. Every 30 days with warm water to prevent valve from; clogging with old soap. Abrasive cleaners should not be used when wiping down dispenser.

NOTES



U144

Soap Dispenser

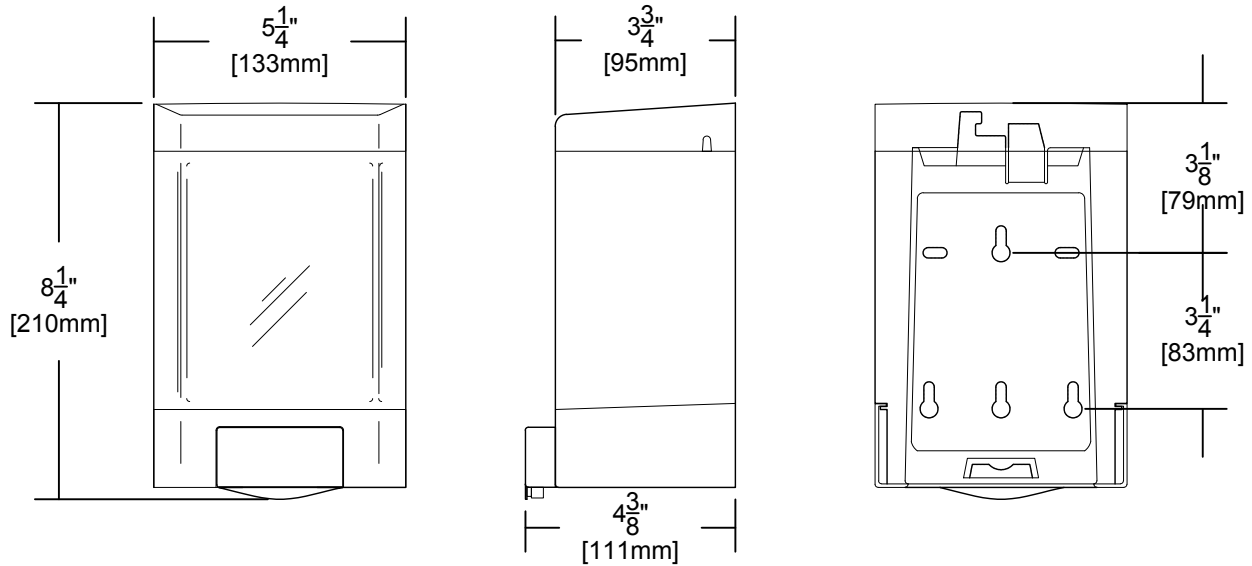
Revision 09/15

JOB #:

ITEM #:

QUANTITY:

MOUNTING	HANDING	TYPE	SIZE	OTHER



SPECIFICATIONS

Soap Tank: Fabricated of translucent high impact ABS material with a smooth curved design.

Body & Cover: Fabricated of white high impact plastic material. Hidden security locking mechanism prevents vandalism. Large convenient filler cap allows easy servicing of dispenser.

Valve: Fabricated of high impact plastic material that will dispense most liquids, lotions, and hand sanitizers (NOT pumice soaps or foam soaps). Large push button allows easy one hand operation that requires less than 5 lbs of force to operate. When properly mounted dispenser will comply with ADA code.

Overall Size: $5\frac{1}{4}$ "W x $8\frac{1}{4}$ "H x $4\frac{3}{8}$ "D (Wall to Valve)
133mm x 210mm x 111mm

Capacity: 46 fluid oz.

INSTALLATION

If mounting on wall surface, transfer mounting hole dimensions from back of unit to wall surface. Drill pilot holes and secure unit to surface with proper fasteners. Sensor cannot be any higher than 40" Above finished floor to comply with ADA code.

* It is not recommended to mount any soap dispenser on mirrors

** For best performance, use pre-mixed low concentrate solutions. Dispensers should have periodic maintenance performed to insure the life of the dispenser. Rinse out bottle and valve with warm water to prevent sludge buildup.

Preventative Maintenance: Each dispenser should be flushed out approx. Every 30 days with warm water to prevent valve from clogging with old soap. Do not use abrasive cleaners to clean dispenser.

NOTES



U169HF

Roll Towel Dispenser

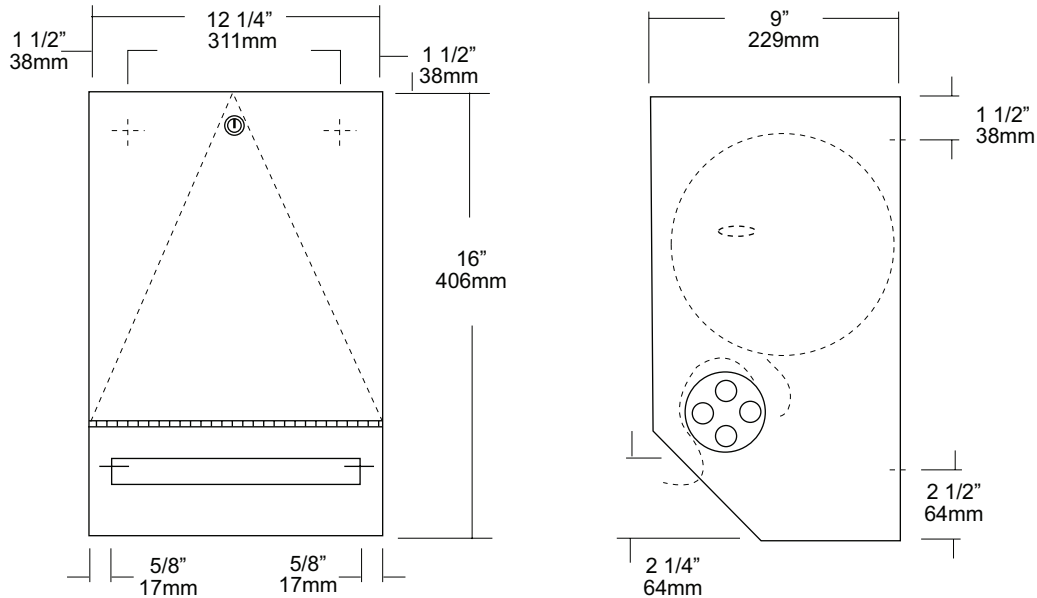
Revision 01/12

JOB #:

ITEM #:

QUANTITY:

MOUNTING	HANDING	TYPE	SIZE	OTHER



SPECIFICATIONS

Cabinet Body: Fabricated of #22 gauge stainless steel with a #4 satin finish.

Cabinet Door: Fabricated of #18 gauge stainless steel with a #4 satin finish. Cabinet door is secured by means of a heavy duty, full length stainless steel piano hinge.

Roll Towel Mechanism: Internal mechanism is fabricated of high impact plastic. Manual side rotating knob with finger grips allow maintenance dept. To manually start paper being dispensed. Once the paper has started one hand operation to pull paper out allowing concealed roller to create perforation. This will allow the operator to tear the paper off with less than 5 lbs of force. When paper is torn, a starter piece will be partially exposed for the next towel to be dispensed without having to touch a lever, handle or crank.

Overall Size: 12 1/4"W x 16"H x 9"D

263mm x 406mm x 229mm

Capacity: One standard size roll of 8" or 9" wide. (Use only non-perforated towels). One stub roll up to 2 3/4" OD

***600ft roll recommended for best results.**

INSTALLATION

Provide an area on mounting surface at desired or specified location. Coordinate installation with architect / contractor. Open cabinet door, place unit against wall making sure unit is level and transfer mounting points. Top of cabinet should be no higher than 48" above finished floor to comply with ADA Code. Secure cabinet to wall surface with proper fasteners for each application. Load towels in cabinet per instruction label.

NOTES

Formerly Model #: U170HF



U711 Series Channel Frame Mirror

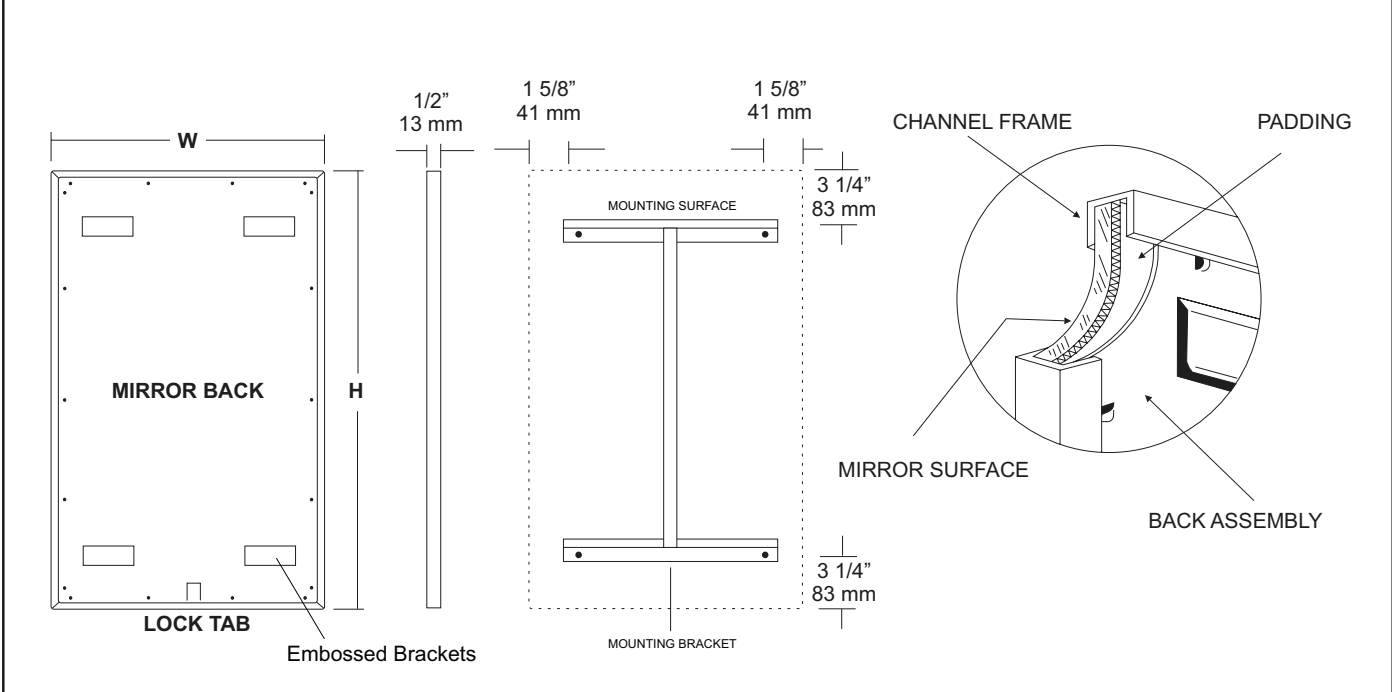
Revision 11/15

JOB #:

ITEM #:

QUANTITY:

MOUNTING	HANDING	TYPE	SIZE	OTHER



SPECIFICATIONS

Frame: Fabricated of #20 ga stainless steel, #4 satin finish. Roll formed 1/2" x 1/2" x 1/2" channel frame has mitered corners and secured with stainless steel rivet.

Mirror: 1/4" thick type 1 transparent flat type, class 1 - clear glass mirrors. Mirror is coated with silver and sealed with a uniform electrolytic copper plating, along with two coats of paint for added protection. Mirrors are guaranteed against silver spoilage for a period of 15 years. Mirrors conform to ASTM C1036 and ASTM C1503-R8.

Filler: Full size, 1/8" shock absorbing, water resistant, nonabrasive, polyethylene padding protects all concealed mirror surfaces.

Back: #20 ga pre-plated galvanized steel, with embossed horizontal louver mounting brackets. Embossed theft resistant pressure activated clip lock device, locks mirror in place to wall hangers.

Hangers: Fabricated of #20 ga pre-plated steel galvanized steel with mounting points.

Standard Sizes Available (W x H): 16"x20", 16"x24", 16"x30", 18"x24", 18"x30", 18"x36", 24"x30", 24"x36", 24"x42", 24"x48", 18"x60", 20"x60", 24"x60", 18"x72", 24"x72"

Options:

- LG:** Laminated Glass
- LX:** Polycarbonate
- PM:** Plastic Acrylic
- T:** Tempered Glass
- VC:** Vinyl Clad (Safety Glass)
- 8B:** #8 Reflective Stainless Steel

*Stainless steel mirrors reflect images in different optic quality than plate glass. There will be a slight distortion which increases proportionately with the mirror size. Therefore, AJW Architectural Products™ cannot be held responsible for quality of image.

- **Mirrors are always ordered Width x Height
- ***Recommended max size for 8B mirrors: 72" x 47-1/2"
- ****Framed mirrors are fabricated to a tolerance of (+/-) 1/8"
- ***** Mirrors conform to Federal Specifications DD-M-00411b & DD-g-541D

INSTALLATION

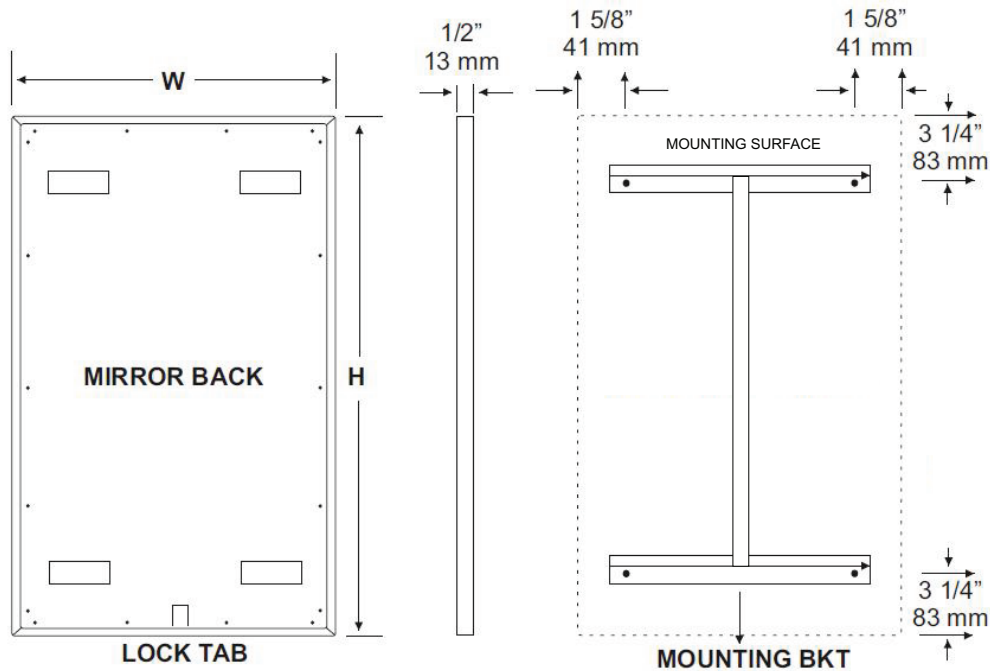
Coordinate installation with architect / contractor for specific mounting location and height for each mirror application. Making sure "I" bracket is level, transfer all mounting point locations to wall surface from drawing. Secure brackets with proper fasteners for each application. Slide mirror down over horizontal brackets until clip lock secures mirror in place. Mirror can only be removed by inserting tool through hole at bottom of frame depressing clip. This will allow mirror to slide up over brackets. Fillers are available if mirrors are mounted above and below tile line. (U004 Filler) filler material will match mirror frame to form a one piece construction.

To meet ADA Code, bottom edge of reflective surface can be no higher than 40" above finished floor. (4.19.6) Full length mirrors may be used for universal application when installed in correct locations.

Abrasive cleaners & chloric solutions should not be used on mirrors. Discoloring and /or scratching of frame and reflective surface may occur.

NOTES

U711 Installation Instruction Sheet



INSTALLATION

Coordinate installation with architect / contractor for specific mounting location and height for each mirror application. Making sure "I" bracket is level, transfer all mounting point locations to wall surface from drawing. Secure brackets with proper fasteners for each application. Slide mirror down over horizontal brackets until clip lock secures mirror in place. Mirror can only be removed by inserting tool through hole at bottom of frame depressing clip. This will allow mirror to slide up over brackets. Fillers are available if mirrors are mounted above and below tile line. (U004 Filler) Filler material will match mirror frame to form a one piece construction.

To meet ADA Code, bottom edge of reflective surface can be no higher than 40" above finished floor. (4.19.6) Full length mirrors may be used for universal application when installed in correct locations.

CARE & CLEANING

Wipe mirrors with a soft cloth, taking special care to rub stainless steel frames with the grain to avoid scratching. Do not use abrasive cleaners containing chloric solutions on stainless steel frames. Glass Plus or other window cleaning products are ideal.



U804 Toilet Tissue Dispenser

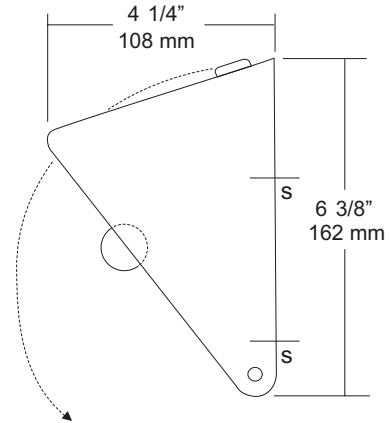
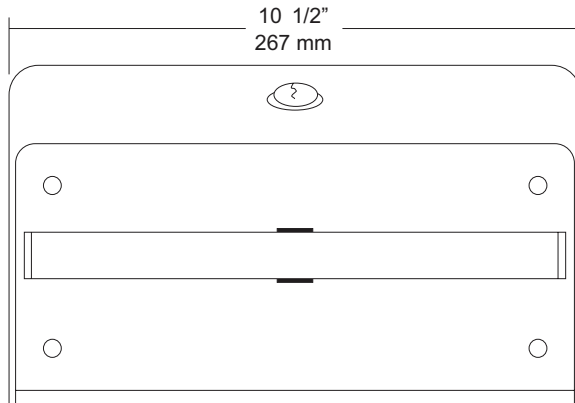
Revision 03/11

JOB #:

ITEM #:

QUANTITY:

MOUNTING	HANDING	TYPE	SIZE	OTHER



SPECIFICATIONS

Hood: Fabricated of #18 gauge stainless steel with a #4 satin finish on all exposed surfaces. Radius corners and leading edges are deburred. Keyed hood provides a theft resistant dispenser. Rolls cannot be removed without opening dispenser.

Back Plate: Fabricated of #22 gauge stainless steel.

Roller: Stainless steel roller is welded to a stainless steel post that has a capped end to prevent damage to roll.

Locks: commercial quality pin tumbler lock keyed like all other AJW accessories.

Overall Size: 10 1/2"W x 6 3/8"H x 4 1/4"D

267mm x 161mm x 108mm

Capacity: Two standard rolls with a 5 1/4" (133mm) OD.

Options:

-TK: Keyless twist lock.

INSTALLATION

Open hood of dispenser and place unit on mounting surface at desired or specified location. Making sure unit is level transfer mounting points to surface using unit as a template. Drill pilot holes and secure unit with proper fasteners per application. Install roll of toilet tissue and secure cover.

Toilet Paper Dispensers: All dispensers that are to meet ADA code cannot have any type of controlled delivery. (4.16)

NOTES



U852

Partition Mounted Seat Cover Dispenser

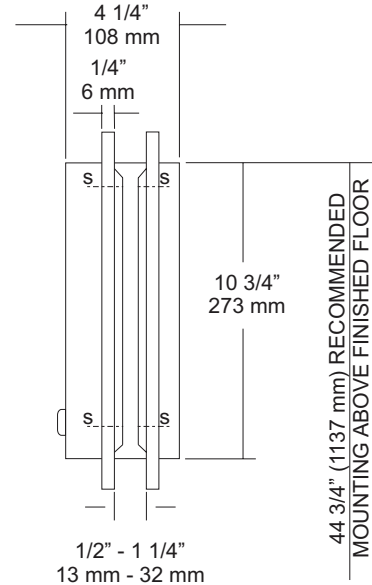
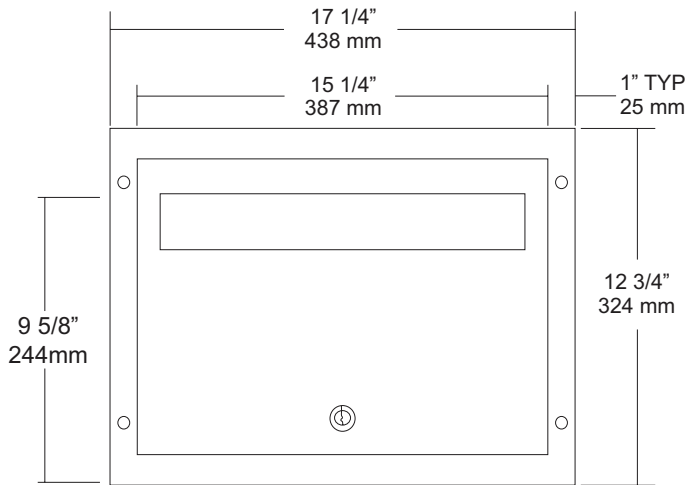
Revision 03/11

JOB #:

ITEM #:

QUANTITY:

MOUNTING	HANDING	TYPE	SIZE	OTHER



SPECIFICATIONS

- Body:** Fabricated of #22 gauge stainless steel with a #4 satin finish on all exposed surfaces.
- Flange:** Fabricated of #22 gauge stainless steel with 1/4" returns without any exposed miters or welds. One flange is welded the other is adjustable.
- Door:** Fabricated of #22 gauge stainless steel with a #4 satin finish. Seat cover dispensing area is deburred and polished to avoid tearing of product. One side of unit can be opened for servicing.
- Hinge:** Full length stainless steel piano type hinge.
- Lock:** Pin tumbler, commercial quality keyed like all other AJW accessories.
- Overall Size:** 17 1/2"W x 12 3/4"H x 4 1/4"D
445mm x 337mm x 108mm
- Partition Opening:** 15 3/4"W x 11 1/4"H
400mm x 324mm
- Will fit partitions** 1/2" - 1 1/4"
- Capacity:** 500 seat covers per side

INSTALLATION

Provide required wall opening at desired or specified location. Coordinate installation with contractor or architect. Unlock cabinet, remove adjustable flange and place unit in wall opening. Secure fixed flange to wall surface with proper fasteners. Repeat same procedure for adjustable flange. Fill dispenser with seat covers and lock cabinet.

NOTES

44 3/4" (1137 mm) RECOMMENDED MOUNTING ABOVE FINISHED FLOOR



U865
Waste Disposal & Toilet Tissue Dispenser
Combination Unit

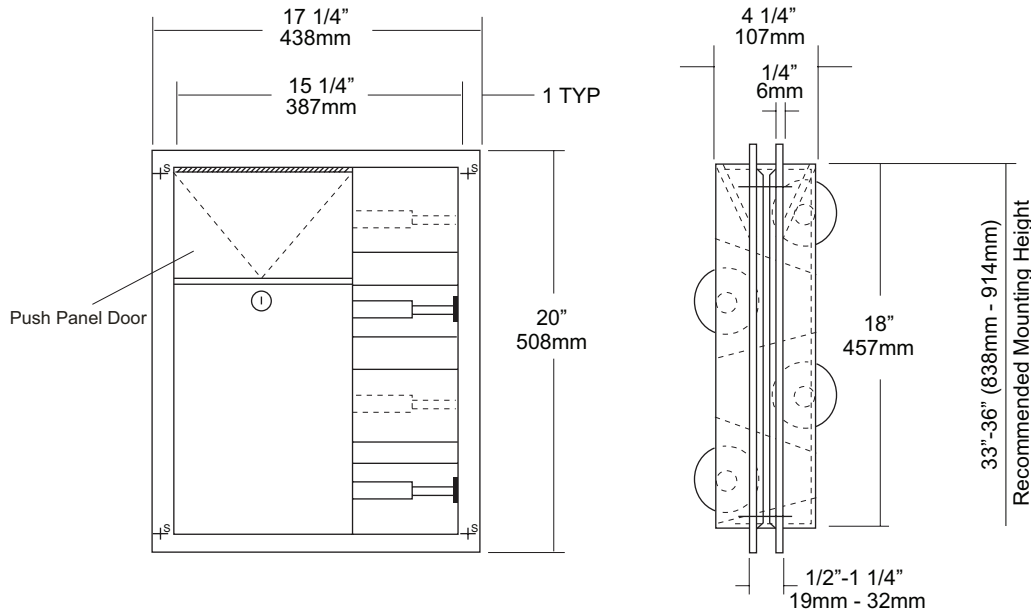
Revision 03/11

JOB #:

ITEM #:

QUANTITY:

MOUNTING	HANDING	TYPE	SIZE	OTHER



SPECIFICATIONS

Cabinet: Fabricated of #22 gauge stainless steel. All exposed surfaces have a #4 satin finish.

Adj. Flanges: Fabricated of #22 gauge stainless steel one-piece drawn seamless construction. No seams or exposed miters with 1/4" returns to wall surface. (Exposed mounting points)

Toilet Tissue Dispenser: #22 gauge stainless steel hat adapters secure chrome plated, spring loaded rollers in place.

U007 Theft Resistant Adapter: Prevents spindle from being removed until roll has been depleted.

Hinges: All hinges are full length, heavy duty, stainless steel piano type hinges.

Overall Size: 17 1/4"W x 20"H x 4 1/4"D
438mm x 508mm x 108mm

Adjustable to fit partitions 1/2"- 1 1/4" thick.

Wall Opening: 15 3/4"W x 18 1/2"H
400mm x 470mm

Toilet Tissue Capacity: Four standard rolls with a 5 1/4" (133mm) OD.

Waste Capacity: 2 Gallons (.26 cu ft)

INSTALLATION

Provide rough wall opening at desired or specified location of 15 3/4"W x 18 1/2"H. Place lower unit in opening to ensure proper fit. If unit fits properly in opening, secure side with the fixed flange at exposed mounting points. Secure adjustable flange last in the same manor. Secure with proper fasteners per each application. Fill toilet tissue rolls.

Toilet Paper Dispensers: All dispensers that are to meet ADA code cannot have any type of controlled delivery. (4.16)

NOTES



U939

Retractable Shower Bench

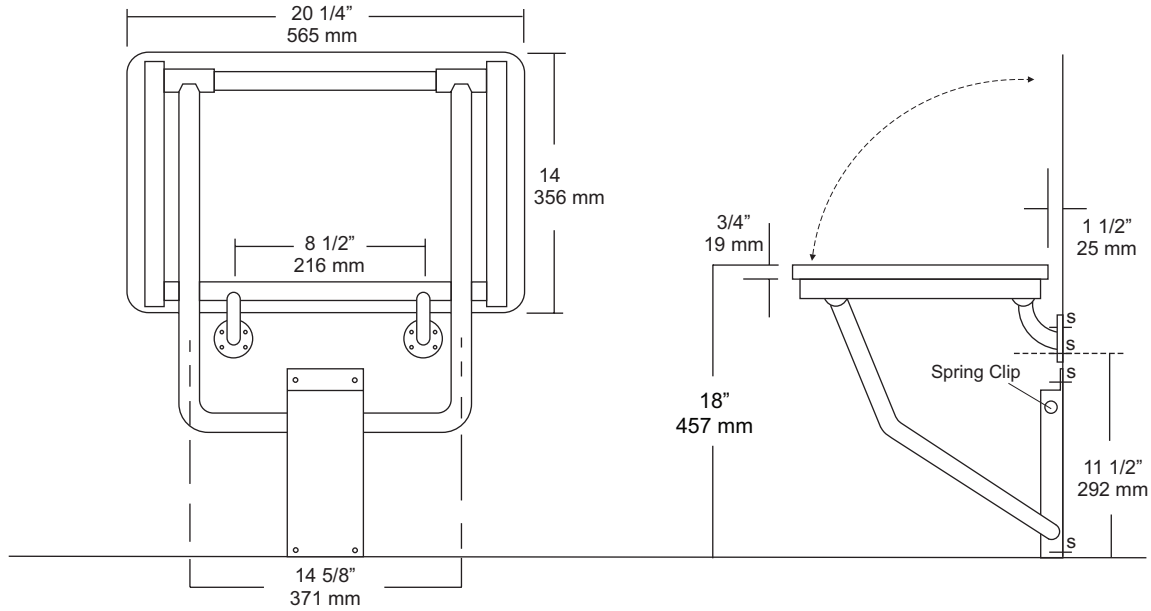
Revision 12/14

JOB #:

ITEM #:

QUANTITY:

MOUNTING	HANDING	TYPE	SIZE	OTHER



SPECIFICATIONS

Seat: Fabricated of 3/4" thick, one piece polymers (white) with all leading edges having a radius to prevent injury. Seat is secured to frame with carriage bolts and acorn nuts.

Tubing: Fabricated of #18 ga stainless steel with #4 satin finish.

Main Frame: 1 1/4" diameter square tubing with capped ends.

Flanges: #18 gauge stainless steel with four (4) countersunk exposed mounting points. Under slung supports have a 1 1/4" OD. (Satin finish)

Mounting Bracket: #14 ga stainless steel "hat" style bracket with 4 mounting support points. Bracket acts as a guide to raise and lower seat platform and is equipped with four (4) points to secure to wall surface. For maximum support, bracket is mounted so the bottom is set on the finished floor surface. Seat will remain in an upright position when not in use by means of a spring clip.

Overall Size: 20 1/4"W x 14"D (seating area)

514mm x 356mm

***Wall to floor mounting design provides equal distribution of weight to ensure safe operation.**

INSTALLATION

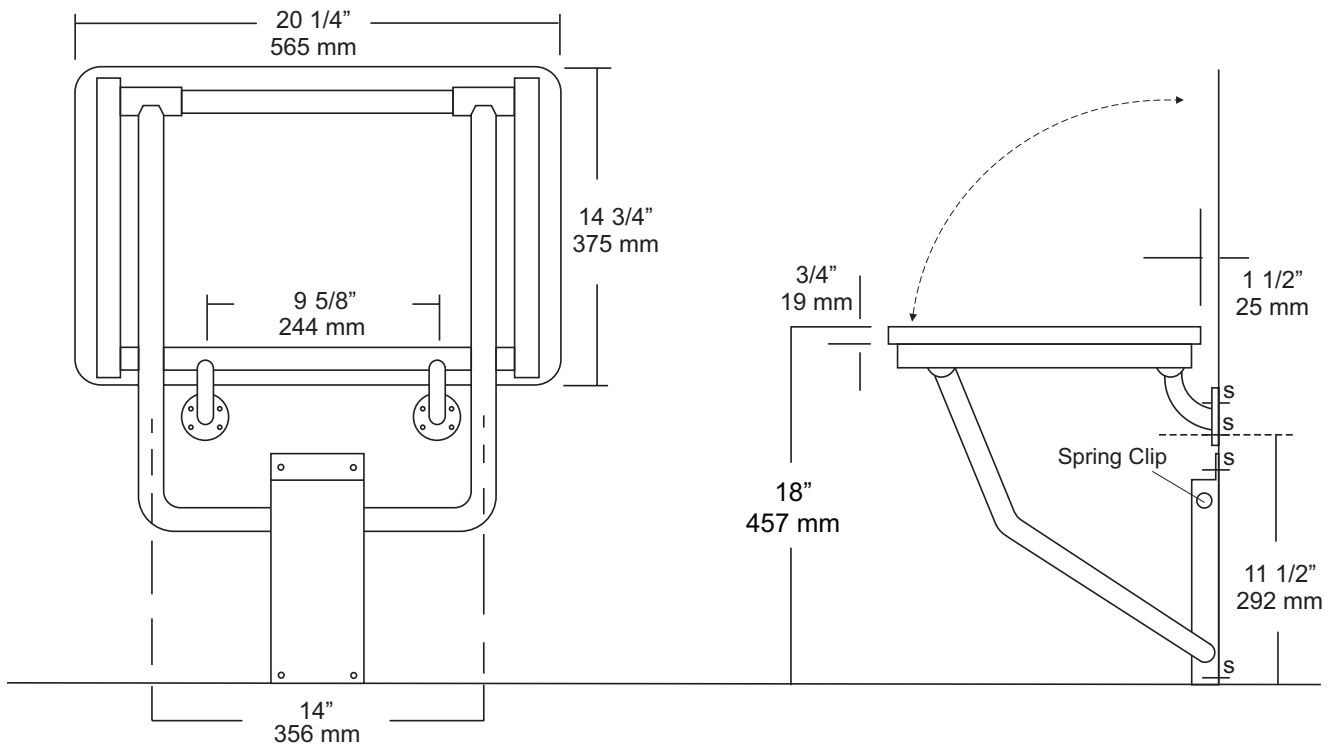
To comply with ADA Code, seat should be mounted at a height 17"-19" above finished floor. Check all state and local codes for building requirements. Recommend in wall mounting on all shower seats. (BP10) Place seat up against wall making sure the extended part of seat has an offset no more than 1 1/2" away from wall. (Same as grab bar) Transfer mounting points to wall surface and drill pilot holes. Secure seat to surface with proper fasteners per each application. Snugly secure seat to surface and check seat to be level. If seat is level raise and lower seat to check path of travel. Finish securing seat after checking seat for proper operation. When properly mounted seat will support up to 250 lbs and will conform with ADA Code 4.21.3 and 4.26.3

Note: This shower seat is not intended to be installed in applications that have shower bases with rounded corners. AJW recommends the U928 for such applications.

NOTES

Formerly Model #: U939-1A

U939 Mounting Instructions



INSTRUCTIONS

1. Seating area of shower seat should be mounted at a height of 17" – 19" above finished floor (check local codes for any variances).
2. Concealed in wall mounting plates (BP10) must be used to ensure maximum support for seat. AJW recommends that mounting fasteners be at least 2 1/2" in length (depending on wall depth).
3. Plastic shields should not be used when securing shower seat



UG2-B

Grab Bars

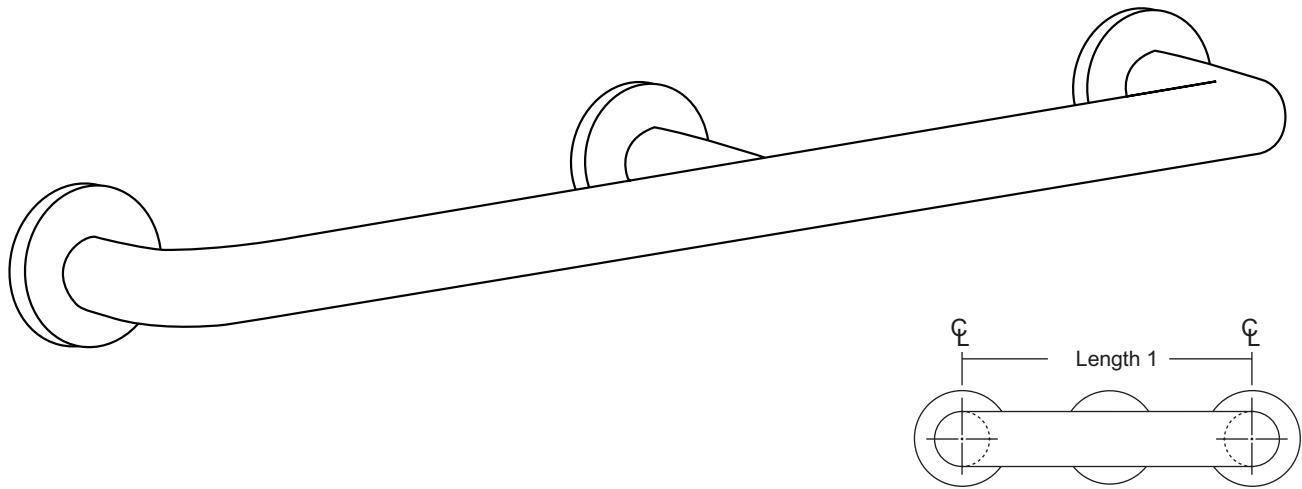
Revised 03/11

JOB #:

ITEM #:

QUANTITY:

MOUNTING	HANDING	TYPE	SIZE	OTHER



SPECIFICATIONS & INSTALLATION

Tubing: Fabricated of #18 ga stainless steel with a #4 satin finish. Available in 1 1/4" outside diameter. All bends are formed by an automatic mandrel bending process. All bars maintain a constant 1 1/2" offset.

Finish: Standard finish is a #4 satin finish. For a non-slip finish (peened) add suffix X to model number. (Ex. UG2X-B)

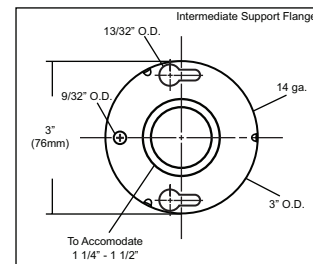
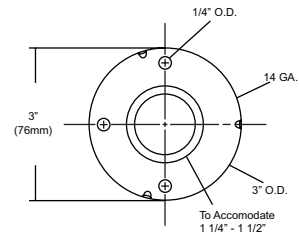
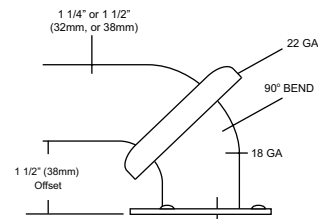
Flanges: Snap flanges are fabricated of 3" diameter, 3/8" deep drawn #22 ga stainless steel with #4 satin finish to match tubing. Flanges have dimples that secure over mounting plate.

Strength: Bars with a 1 1/2" offset clearance will support loads in excess of 900lbs when properly installed. Bars with greater offsets will support loads up to 250lbs when properly installed.

Installation: Before installing grab bars, verify with all state and local codes for requirements on bar diameter and type finish. Recommended mounting heights for grab bars are 33" - 36" centerline above finished floor. All mounting of grab bars when possible should have in wall mounting back plates. Find centerline mounting points and place bar on line making sure to be on center. Transfer mounting points (3 per flange) to wall. Drill pilot holes and secure bar with proper anchors per application. Snap cover over mounting plate.

Standard Lengths (Other sizes available upon request): 60" 72"

FLANGE INFORMATION



NOTES



UX1-V Overhead Supports

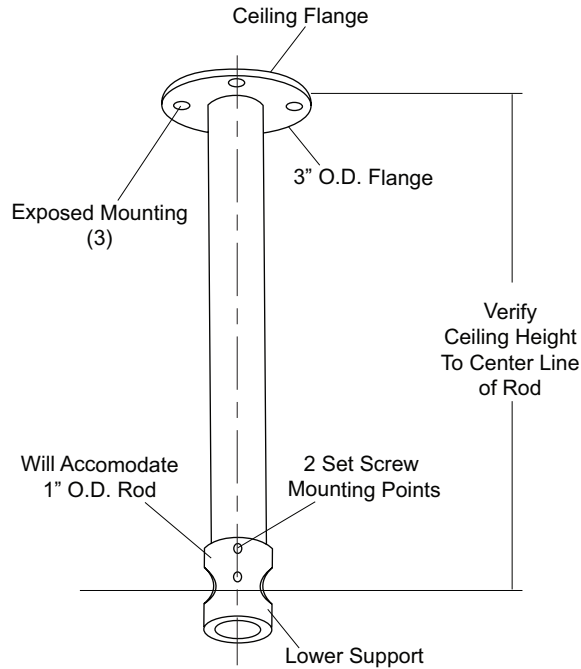
Revision 03/11

JOB #:

ITEM #:

QUANTITY:

MOUNTING	HANDING	TYPE	SIZE	OTHER



SPECIFICATIONS

Rod: Fabricated of #18 gauge stainless steel tube with a #4 satin finish.
Flange: Ceiling mounted exposed flange has a 3" O.D. With three exposed mounting points.
Support: Machined aluminum with a satin finish. Unit will accommodate 1" OD shower rod
UX1-V: 1"OD

INSTALLATION

Provide an area on ceiling at desired or specified location. Transfer mounting points and drill pilot holes. Secure flange with proper fasteners per each application. Slide lower support over vertical rod end and secure with supplied set screw. Do not finish securing support to rod to make adjustments. Slide shower rod through support opening and secure to rod flanges. After shower rod is secured to flanges and checks to be level finish securing rod and support with supplied set screws (2). Recommend overhead supports for all rods over 72" and other configurations than straight runs.

NOTES

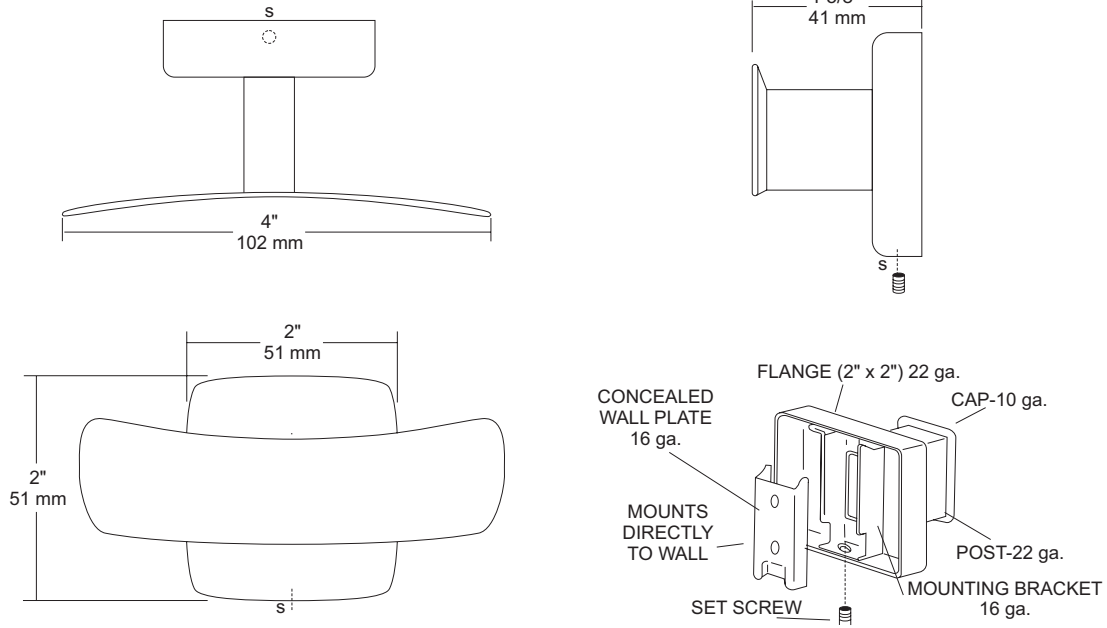
Formerly Model #: UX168

JOB #:

ITEM #:

QUANTITY:

MOUNTING	HANDING	TYPE	SIZE	OTHER



SPECIFICATIONS

UX Accessories: All UX bath accessories series are fabricated of stainless steel with a bright or satin finish. Mounting plates are concealed with a snap-on type plate secured by a set screw.

Hook: #10 ga stainless steel hook

Flange: 2" x 2" flange #22 ga stainless steel.

Post: #22 ga stainless steel.

Mounting Plate: #16 ga stainless steel concealed wall plate. Set screw secures mounting plate and flange.

Overall Size: 4"W x 2"H x 1 5/8"D

51mm x 51mm x 41mm

UX112-SF: Same as UX112-BF with satin finish.

INSTALLATION

Provide an area on wall surface at desired or specified location. Place concealed mounting plate on wall surface and transfer mounting points. Drill pilot holes and secure with proper fasteners. Place snap on flange over plate and secure with set screw.

NOTES